

MET 1-PHASE CONTROL AND ISOLATION TRANSFORMER

P: 800VA IN: 230VAC+/- 5% OUT: 230VAC

Single-phase - Control and Isolation Transformers
800 VA
Spring clamp terminals
Isolation class T 60/B

[Link to Product](#)

Illustration



Product may differ from Image

Approvals



General data

Standards	EN 61558-1, EN 61558-2-4, EN 62041 category 0
Test isolation voltage	4 kV (prim./sec.)
Dimensions H×W×D	118×175×160 mm
Fixing centers a×b×c	92×135×7 mm
Drill hole Ø	7×11 mm
Mounting method	Key-hole mounting
Temperature range	-20...+60 °C (storage temperature -40...+80 °C)

Output

Output voltage	230 V AC
Output rating	800 VA

Input

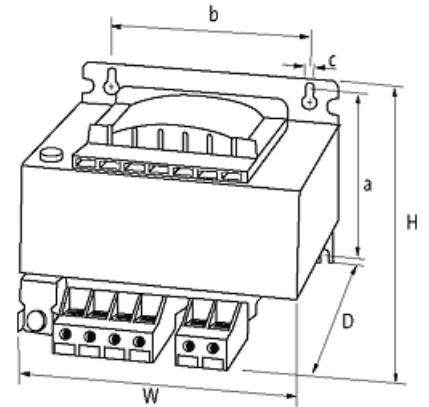
Input voltage	230 V AC ±5%
Frequency	50...60 Hz
Input current	3.75 A (230 V AC)
Short-circuit current	143.2 A (230 V AC)
Inrush current	51.78 A (230 V AC)

Commercial data

The information in this brochure has been compiled with the utmost care.
Liability for the correctness completeness and topicality of the information is restricted to gross negligence. Version: 02/21

Murrelektronik GmbH | Falkenstr. 3 | 71570 Oppenweiler | Fon +49 (71 91) 47-0 | Fax +49 (71 91) 47-491000 | shop@murrelektronik.com | shop.murrelektronik.com

country of origin	CZ
customs tariff number	85043180
EAN	4048879066440
eClass	27031302
Packaging unit	1

Sketch

Product may differ from Image