

**MET 1-PHASE CONTROL AND ISOLATION TRANSFORMER**

P: 500VA IN: 400VAC+/- 5% OUT: 230VAC

Single-phase - Control and Isolation Transformers  
 500 VA  
 Spring clamp terminals  
 Isolation class T 60/B

[Link to Product](#)**Illustration**

Product may differ from Image

**Approvals****General data**

Standards	EN 61558-1, EN 61558-2-4, EN 62041 category 0
Test isolation voltage	4 kV (prim./sec.)
Dimensions H×W×D	112.6×150×146 mm
Fixing centers a×b×c	90×122×7 mm
Drill hole Ø	7×11 mm
Mounting method	Key-hole mounting
Temperature range	-20...+60 °C (storage temperature -40...+80 °C)

**Output**

Output voltage	230 V AC
Output rating	500 VA

**Input**

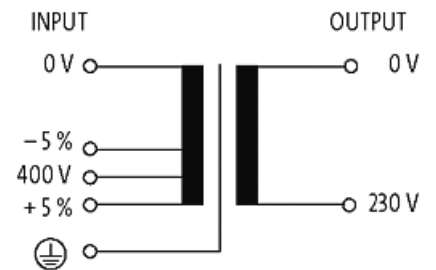
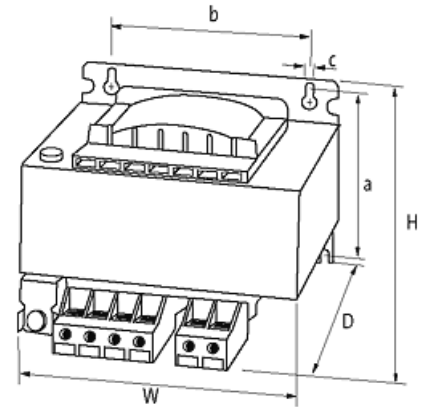
Input voltage	400 V AC ±5%
Frequency	50...60 Hz
Input current	1.37 A (400 V AC)
Short-circuit current	43.35 A (400 V AC)
Inrush current	20.22 A (400 V AC)

**Commercial data**

The information in this brochure has been compiled with the utmost care.  
 Liability for the correctness completeness and topicality of the information is restricted to gross negligence. Version: 02/21

country of origin	CZ
customs tariff number	85043180
EAN	4048879066532
eClass	27031302
Packaging unit	1

### Sketch



Product may differ from Image