

MSDD pass-through USB 3.0 form A, 0.6 m cable, design black

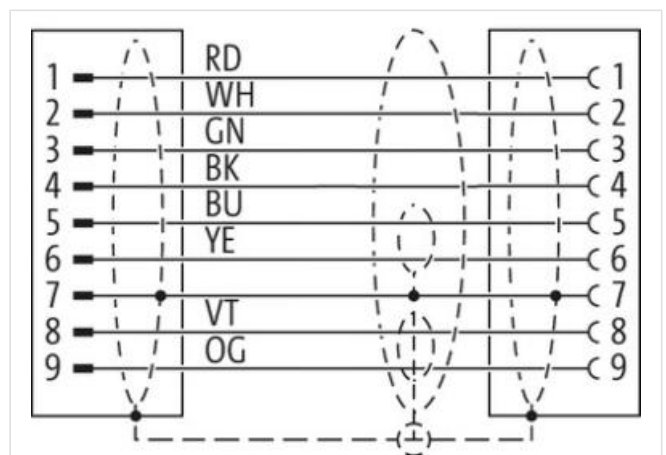
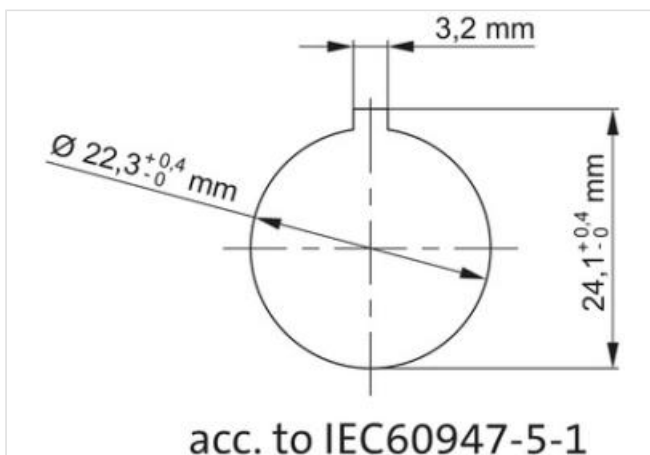
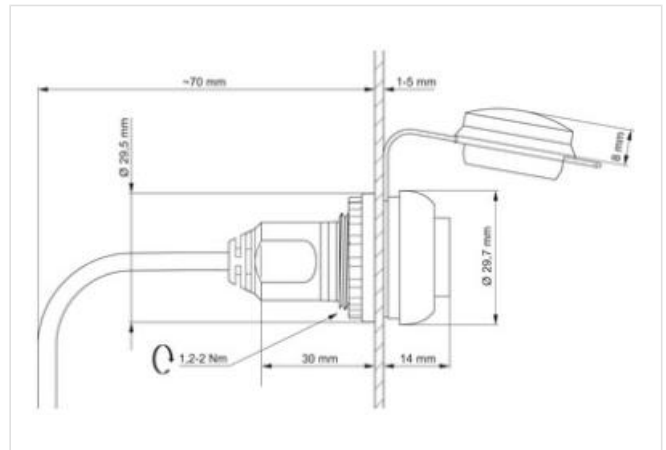
Neutral lid without logo

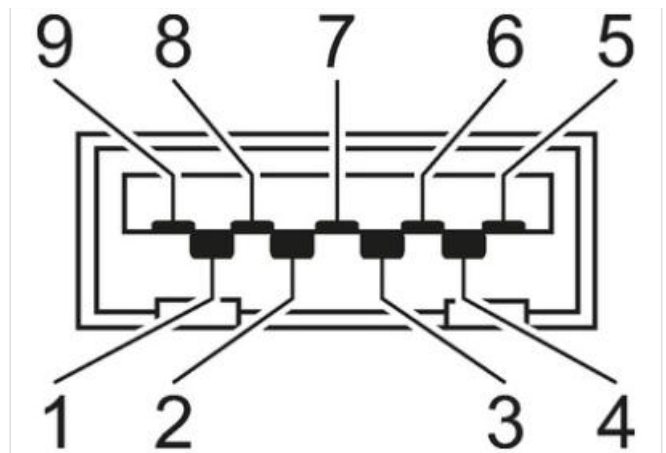
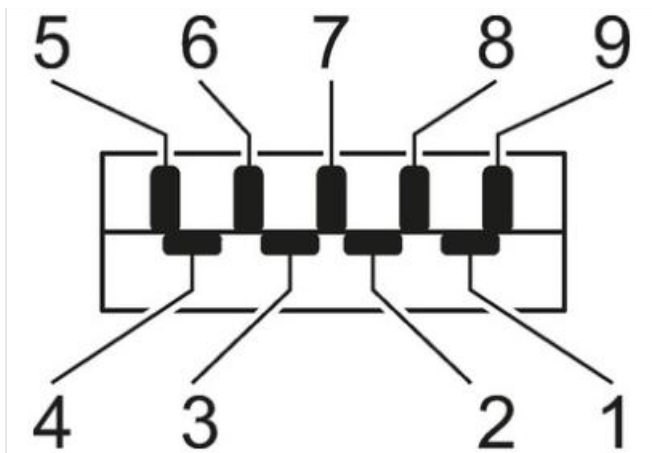
Pass-through

1 × USB 3.0 (female/male/0.6 m cable) form A

[Link to Product](#)

Illustration





Product may differ from Image

**Technical Data**

Operating voltage	5 V AC/DC
Operating current	max. 900 mA
Protection NEMA	Type 2, 3R, 4, 4x, 12, 13 (UL 50E)
Specification	USB: 3.0 (max. 5 Gbit/s)
Mounting depth mounted	approx. 70 mm

General data

Shielded	yes
Cut-out	Ø 22.5 mm

Mechanical protection

Mechanical endurance	1500
----------------------	------

Product article number of manufacturer	4000-73000-0150001
----------------------------------------	--------------------

Industrial Communication

Max. data transmission rate	1000 MBit/s
-----------------------------	-------------

Mechanical data

Depth	30 mm
-------	-------