

MPL POWER SUPPLY 3-PHASE, SMOOTHED

IN: 208-520VAC+/- 5% OUT: 24V/25ADC

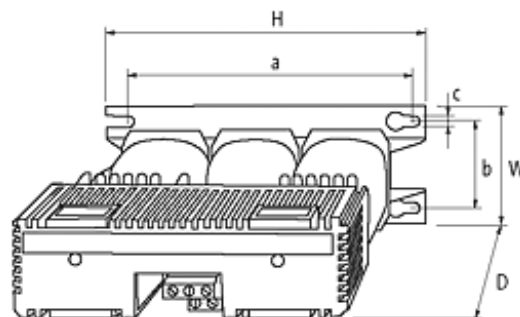
Current: 25 A

Output rating: 600 W

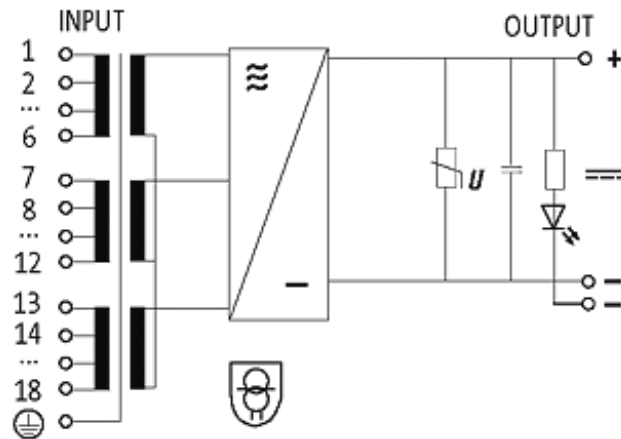
This power supply units meet the (EN 61000-3-2) standard for harmonic current.

[Link to Product](#)

Illustration



stay connected



Product may differ from Image

Approvals



Input

Input voltage	3 × 208...520 V AC
Frequency	50...60 Hz

General data

Standards	EN 61558-2-6, EN 62041 category I, EN 55011 B, EN 61000-3-2
Mounting method	Key-hole mounting
Temperature range	-20...+55 °C, for any mounting position at vertical wall, no condensation
Efficiency	73%
Dimensions H × W × D	220×103×213 mm
Fixing centers a × b × c	195×81×8.5 mm

Output

Output voltage	24 V DC (SELV)
Output current	max. 25 A
Ripple	max. 2%rms
Output fuse external	25 A T
Output filter	LED, VDR and smoothing capacitor

Commercial data

country of origin	CZ
customs tariff number	85044090
EAN	4048879079105
eClass	27049002
Packaging unit	1