

MPL POWER SUPPLY 3-PHASE, SMOOTHED

IN: 400VAC+/- 5% OUT: 24V/30ADC

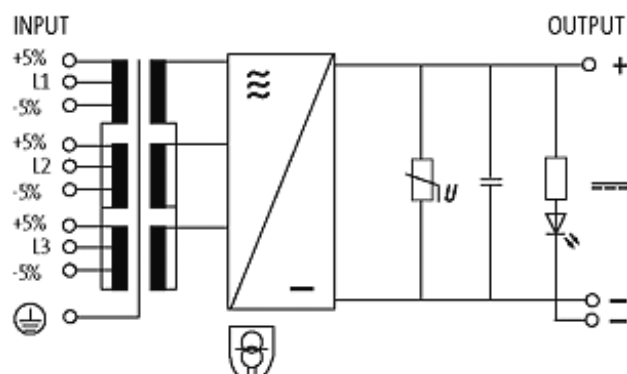
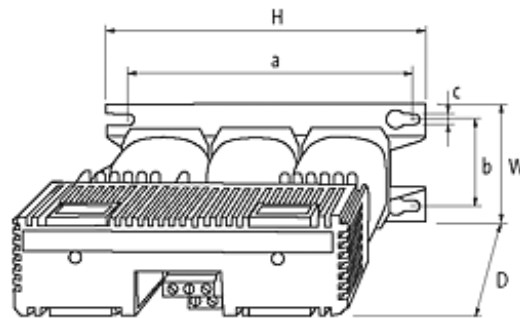
Current: 30 A

Output rating: 720 W

This power supply units meet the (EN 61000-3-2) standard for harmonic current.

[Link to Product](#)

Illustration



Product may differ from image

Product may differ from image

Approvals



Input

Input voltage	3 × 400 V AC ±5%
Input current	1.6 A (3 × 400 V AC)
Input fuse (external)	2 A (T)
Frequency	50...60 Hz

General data

Standards	EN 61558-2-6, EN 62041 category I, EN 55011 B, EN 61000-3-2
Temperature range	-20...+55 °C, for any mounting position at vertical wall, no condensation
Mounting method	Key-hole mounting
Efficiency	76%
Dimensions H × W × D	240×107×250 mm
Fixing centers a × b × c	215×87×8.5 mm

Output

Output voltage	24 V DC (SELV)
Output current	max. 30 A
Ripple	max. 2%rms
Output fuse external	30 A T
Output filter	LED, VDR and smoothing capacitor

Commercial data

country of origin	CZ
customs tariff number	85044090
EAN	4048879079198
eClass	27049002
Packaging unit	1