

MCS-B POWER SUPPLY 1-PHASE,

IN: 90-265VAC OUT: 24V/1,3ADC

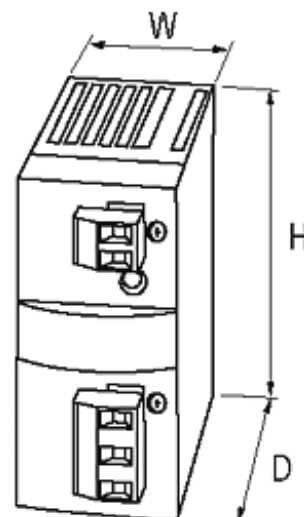
INPUT: 90...265 V AC

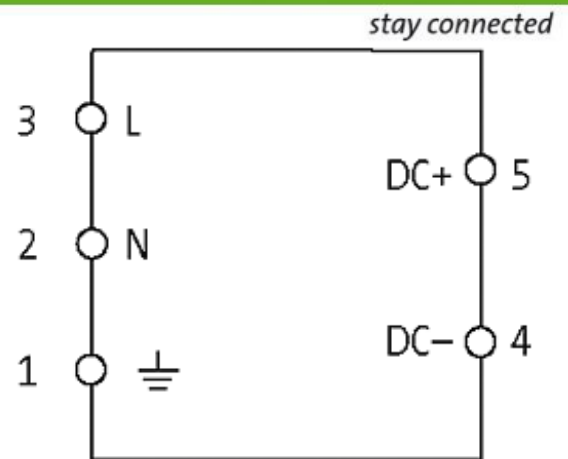
OUTPUT: 24 V DC +3/-1%

Current: 1.3 A

[Link to Product](#)

Illustration





Product may differ from Image

Approvals



Input

Input voltage	90...265 V AC; 110...300 V DC
Input current	0.65 A (100 V AC); 0.37 A (230 V AC)
Inrush current after 1 ms	max. 20 A
Primary fusing external	max. 10 A
Frequency	50...60 Hz

General data

Standards	EN 60950-1, EN 61204-3, EN 55022 B, EN 61000-3-2
Relative humidity	5...95%, no condensation
Efficiency	82%
Dimensions H x W x D	76x38x87.5 mm
Mounting method	DIN-rail mountable TH35 (EN 60715)
Temperature range	-25...+40 °C, ...+50 °C derating (storage temperature -25...+85 °C)

Output

Output voltage	24 V DC (SELV), ±1%; 22...28 V adjustable
Output current	1.3 A (+60 °C, U _{in} min. 170 V AC)
Mains failure bridging time	min. 15 ms (100 V AC); min. 100 ms (230 V AC)
Ripple	max. 50 mV eff/rms
Spikes	max. 120 mV ss/pp
Unit protection	Short-circuit and overload protected
LED display	LED (green) for output voltage
Parallel usage/serial usage	max. 5 units/max. 2 units

Commercial data

country of origin	CZ
-------------------	----

customs tariff number	85044090
EAN	4048879080385
eClass	27049002
Packaging unit	1