

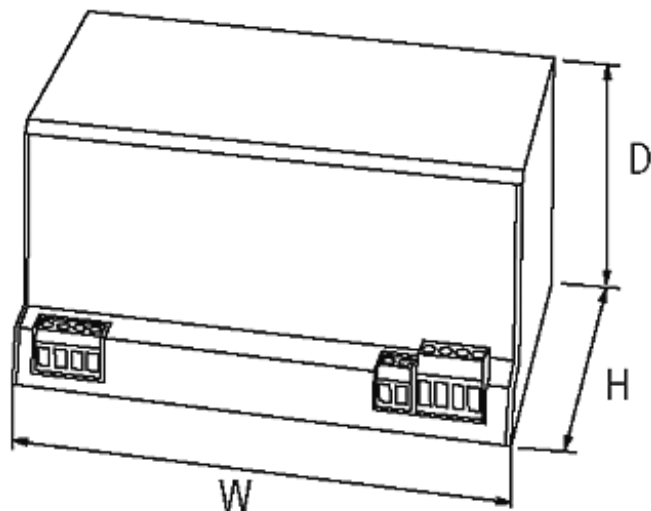
MPS POWER SUPPLY 3-PHASE,

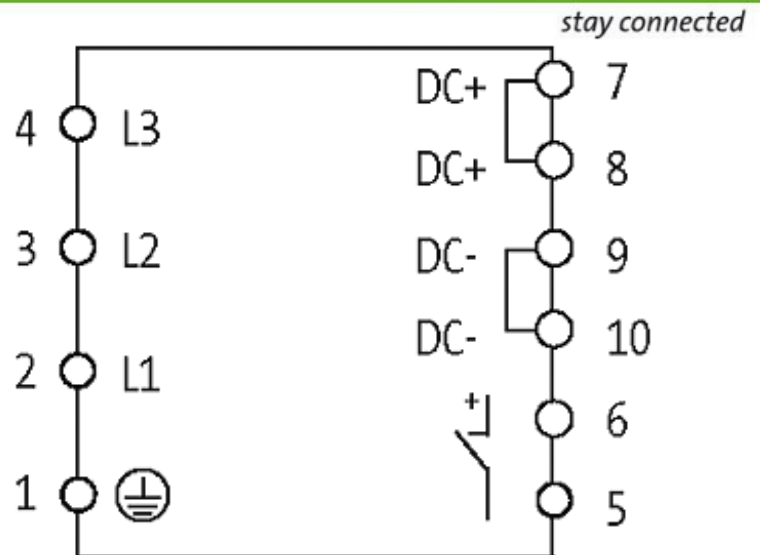
IN: 340-460VAC OUT: 22-28V/20ADC

INPUT: 3 × 360...440 V AC

OUTPUT: 22...28 V DC

Current: 20 A

[Link to Product](#)**Illustration**



Product may differ from Image

Approvals



Input

Input voltage	3 × 360...440 V AC
Primary fusing external	max. 10 A
Frequency	50...60 Hz
Input current	3 × 0.84 A

General data

Standards	EN 60950-1, EN 61204-3, EN 55022 B
Mounting method	DIN-rail mountable TH35 (EN 60715), additional plate for screw mounting Art.-No. 89500
Efficiency	90%
Relative humidity	30...90%, no condensation
Dimensions H × W × D	132×243×123 mm
Temperature range	0...+60 °C (storage temperature -25...+85 °C)

Output

Output voltage	24 V DC (SELV), ±1%; 22...28 V adjustable
Output current	20 A (+60 °C); 24 A (+40 °C)
Mains failure bridging time	min. 3 ms (400 V AC)
Ripple	max. 20 mV eff/rms
Spikes	max. 100 mV ss/pp
Unit protection	Short-circuit and overload protected
Phase monitoring	Switching off during 2-phase operation
LED display	LED (green): in operation; LED (red): off; LED (yellow): pre-warning when overheated or overloaded

The information in this brochure has been compiled with the utmost care.

Liability for the correctness completeness and topicality of the information is restricted to gross negligence. Version: 04/19

Murrelektronik GmbH | Falkenstraße 3 | 71570 Oppenweiler | Fon +49 (71 91) 47-0 | Fax +49 (71 91) 47-491000 | shop@murrelektronik.com | shop.murrelektronik.com

Parallel usage/serial usage yes/yes

Commercial data

country of origin	CZ
customs tariff number	85044090
EAN	4048879080613
eClass	27049002
Packaging unit	1