

MPS POWER SUPPLY 1-PHASE,

IN: 95-265VAC OUT: 24V/3ADC

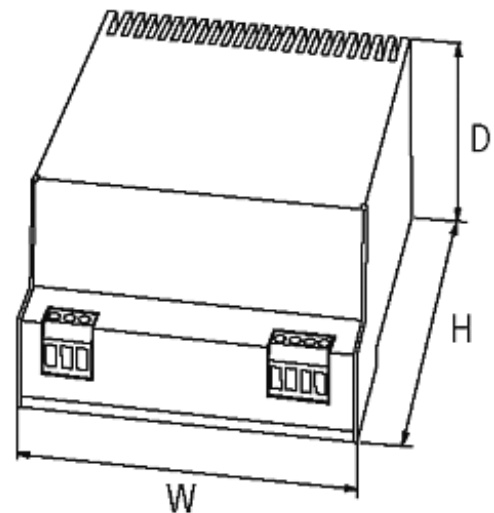
INPUT: 95...265 V AC

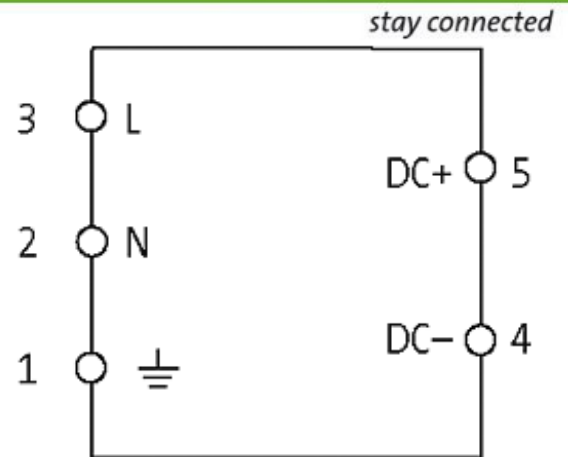
OUTPUT: 24 V DC

Current: 3 A

[Link to Product](#)

Illustration





Product may differ from Image

Approvals



Input

Input voltage	95...265 V AC
Inrush current after 1 ms	max. 20 A
Primary fusing external	max. 10 A
Frequency	50...60 Hz
Input current	1.5 A (115 V AC); 0.75 A (230 V AC)

General data

Standards	EN 60950-1, EN 61204-3, EN 55022 B
Efficiency	84%
Relative humidity	5...95%, no condensation
Mounting method	DIN-rail mountable TH35 (EN 60715), additional plate for screw mounting Art.-No. 89500
Dimensions H x W x D	132x75x71 mm
Temperature range	0...+60 °C (storage temperature -25...+85 °C)

Output

Output voltage	24 V DC (SELV), +3/-1%
Output current	3 A (+60 °C); 3.5 A (+40 °C)
Mains failure bridging time	min. 8.3 ms (115 V AC); min. 80 ms (230 V AC)
Ripple	max. 20 mV eff/rms
Spikes	max. 100 mV ss/pp
Unit protection	Short-circuit and overload protected
LED display	LED (green) at min. 22 V DC
Parallel usage/serial usage	no/yes

Commercial data

country of origin	CZ
-------------------	----

The information in this brochure has been compiled with the utmost care.

Liability for the correctness completeness and topicality of the information is restricted to gross negligence. Version: 04/19

Murrelektronik GmbH | Falkenstraße 3 | 71570 Oppenweiler | Fon +49 (71 91) 47-0 | Fax +49 (71 91) 47-491000 | shop@murrelektronik.com | shop.murrelektronik.com

customs tariff number	85044090
EAN	4048879080736
eClass	27049002
Packaging unit	1