

Valve plug SuperSeal male 6-pol. with cable

PUR 6x0.75 bk 10m

Xtreme - Mobile Applications

Female straight

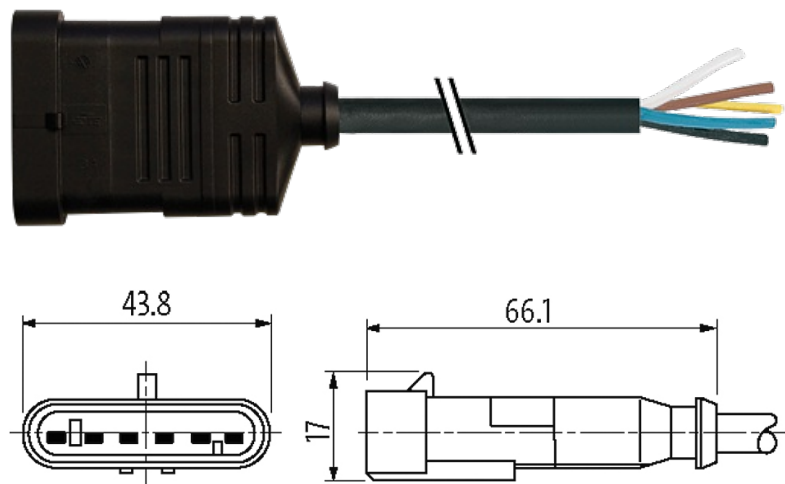
max. 24 V DC

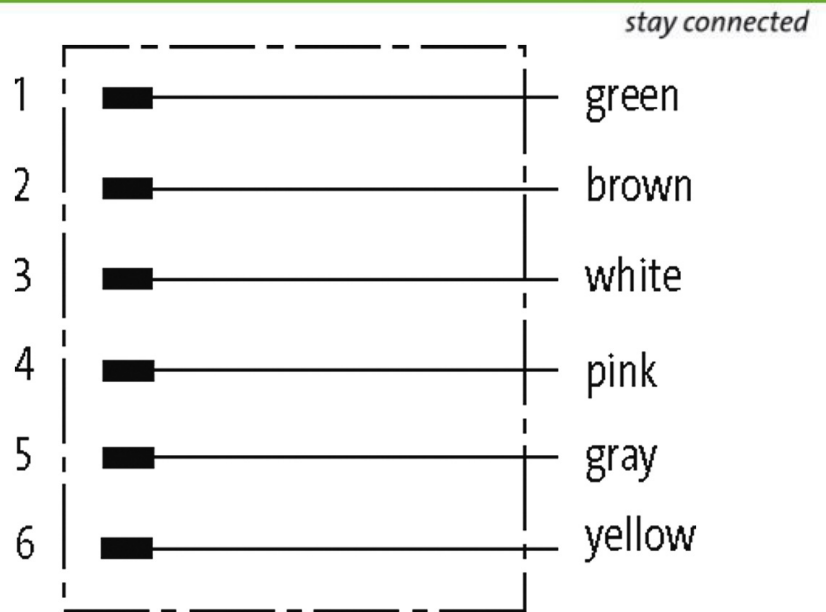
6-pole

without components

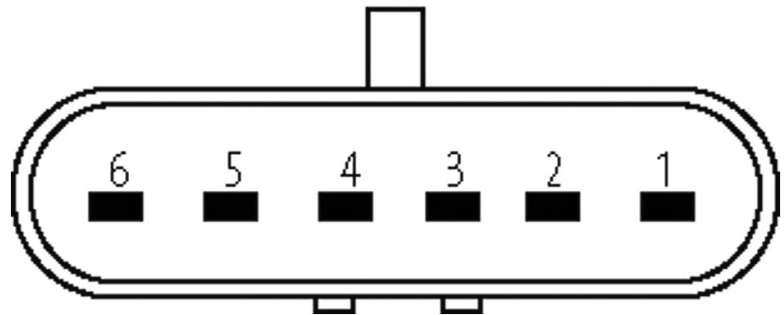
without cable sleeves

Plastic housings with good resistance against chemicals and oils. The resistance to aggressive media should be individually tested for your application. Further details on request. Further cable lengths on request.

[Link to Product](#)**Illustration**



Female
male contacts



Product may differ from Image

Form

Form 73521

Cables

Cable number	516
No./diameter of wires	6 × 0.75 mm ²
Wire isolation	PP (br, gn, ye, gr, pk, wh)
C-track properties	4 Mio.
Jacket Color	black
Material (jacket)	PUR (UL)
Outer Ø	6.9 mm ±5%
Bend radius (moving)	12 × outer Ø
Temperature range (fixed)	-40...+80 °C
Temperature range (mobile)	-25...+80 °C
Cable identification	516

The information in this brochure has been compiled with the utmost care.

Liability for the correctness completeness and topicality of the information is restricted to gross negligence. Version: 05/19

Material (wire)	Cu wire, bare
Resistor (core)	max. 26 Ω/km (20 °C)
Single wire Ø (core)	0.15 mm
Construction (core)	42 × 0.15 mm (multi-strand wire class 6)
Diameter (core)	6 × 0.75 mm ²
AWG	similar to AWG 18
Material (wire isolation)	PP
Wire-Ø incl. isolation	1.85 mm ±5%
Color/numbering of wires	br, gn, ye, gr, pk, wh
Shield	no
Material (jacket)	PUR
Outer-Ø (jacket)	6.9 mm ±5%
Color (jacket)	black
Nominal voltage	300 V
Test voltage	3000 V AC
Temperature range (fixed)	-40...+80 °C
Temperature range (mobile)	-25...+80 °C
Bend radius (moving)	12 × outer Ø
No. of bending cycles (C-track)	max. 4 Mio. (25 °C)
Travel speed (C-track)	max. 100 m/min
Acceleration (C-track)	max. 10 m/s ²

Technical Data

Operating voltage	max. 24 V DC
Operating current per contact	max. 6 A (40 °C)
No. of poles	6
LED display	no
Locking of ports	Snap-in connector
Protection	IP67 inserted and tightened (EN 60529)
Material	TPU
suitable for corrugated tube (internal Ø)	12 mm
Housing	AMP SuperSeal 1.5, black plastic
Additional suppressor	without components

General data

Mounting method	inserted
Material (contact)	Copper alloy
Material (contact surface)	Sn
Material (gasket)	Silicon
Pollution Degree	3
Temperature range	-40...+125 °C, depending on cable quality

Commercial data

country of origin	DE
-------------------	----

customs tariff number	85444290
EAN	4048879681513
eClass	27279218
Packaging unit	1