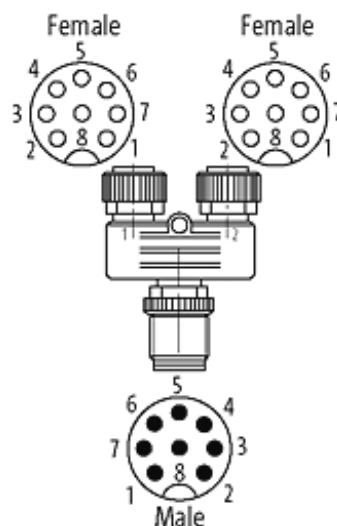
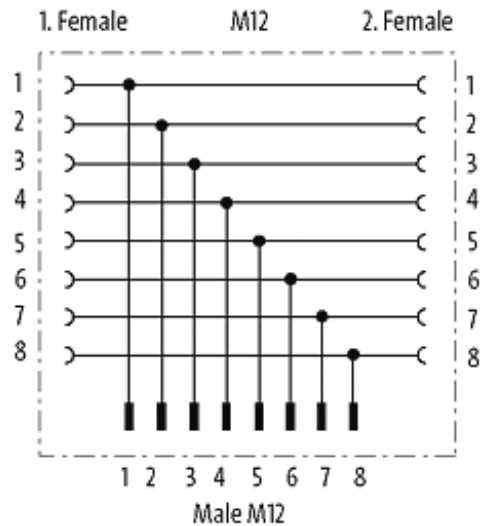
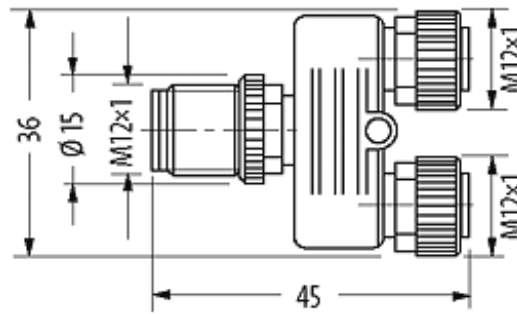


**T-coupler M12 male / M12 female 8p.**

T-coupler  
Male straight – females straight  
M12 – M12, 8-pole  
Parallel circuit

Plastic housings with good resistance against chemicals and oils. The resistance to aggressive media should be individually tested for your application. Further details on request.

[Link to Product](#)**Illustration**



Product may differ from Image

### Approvals



\* only for products with UL/CSA approved cable

### Form

Form 48151

### Technical Data

Operating voltage	max. 30 V AC/DC
Operating voltage (only UL listed)	max. 30 V AC/DC
Rated surge voltage	0.8 kV
Operating current per contact	max. 2 A
Locking of ports	Screw thread M12 × 1 mm (recommended torque 0.6 Nm) self-securing
Protection	IP67 inserted and tightened (EN 60529)

### General data

Temperature range -25...+85 °C

### Commercial data

country of origin DE

customs tariff number	85366990
EAN	4048879470155
eClass	27143423
Packaging unit	1