

**CUBE20 DIGITAL IN-/OUTPUT MODULE**

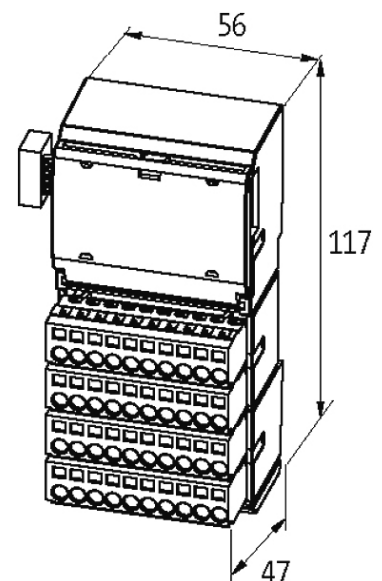
16 digital inputs and 16 digital outputs

Expansion module

Digital inputs

Digital outputs

DI16/DO16 - (E)

[Link to Product](#)**Illustration**

Product may differ from Image

**Input**

Sensor supply US

24 V DC (EN 61131-2), max. 700 mA per module

Type	PNP (EN 61131-2)
Input filter	1 ms
Galvanic isolation	500 V DC between inputs and internal communication
<b>Internal communication</b>	
Module supply	via system connection
Current consumption	max. 25 mA
<b>Connections</b>	
Fieldbus	Ribbon cable connection
Sensor-system/actuator supply	8 × spring clamp plug-in terminals, max. 2.5 mm <sup>2</sup> (max. 12 A)
I/O ports	32 × spring clamp plug-in terminals, max. 2.5 mm <sup>2</sup>
<b>General data</b>	
Protection	IP20
Mounting method	DIN-rail mountable (EN 60715)
Temperature range	0...+55 °C (storage temperature -20...+85 °C)
Dimensions H × W × D	117×56×47 mm
<b>Output</b>	
Actuator supply UA	24 V DC (EN 61131-2), max. 12 A
Galvanic isolation	500 V DC between outputs and internal communication
Switching current per output	max. 0.5 A (short-circuit and overload protected)
Lamp load	10 W
<b>Diagnostic</b>	
Communication status	via LED
Diagnostic via LED	per module and channel (only outputs)
Diagnostic via BUS	per module and channel
Monitoring - under voltage	yes
Monitoring - no voltage	no
Short-circuit and overload	yes
<b>Commercial data</b>	
country of origin	DE
customs tariff number	85176200
EAN	4048879049245
eClass	27242604
Packaging unit	1