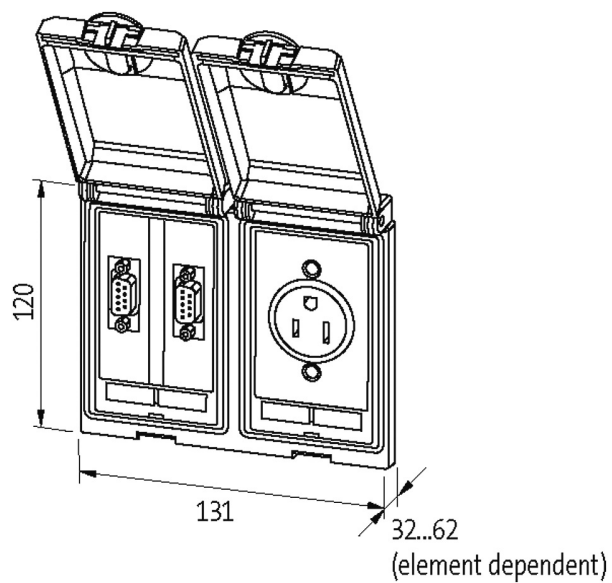


**Modlink MSDD-set: Frame 4000-68223-000000,**  
insert 4000-68000-0930000 + 4000-68000-0010000

[Link to Product](#)

Illustration





Product may differ from image

The information in this brochure has been compiled with the utmost care.

Liability for the correctness completeness and topicality of the information is restricted to gross negligence. Version: 04/19

Murrelektronik GmbH | Falkenstraße 3 | 71570 Oppenweiler | Fon +49 (71 91) 47-0 | Fax +49 (71 91) 47-491000 | shop@murrelektronik.com | shop.murrelektronik.com

Product may differ from image

**Frame**

suitable for mounting with wall thickness	1...5 mm
Protection	IP65
Housing	Frame: zinc die-casting, with surface finishing, Lid: plastic, PC transparent
Temperature range	-10...+60 °C (storage temperature -25...+60 °C)

**USB**

Operating voltage	48 V AC/DC
Operating voltage (UL Rating)	max. 30 V AC/42.4 V DC
Operating current	1.5 A
Locking of ports	Snap In
Specification	USB: 3.0 (max. 5 Gbit/s)

**Shielding plate**

Connection	Threaded hole M4
Tightening torque	0.9 Nm ±0.1

**Germany (VDE)**

Operating voltage	250 V AC
Operating current	16 A
No. of poles	2 + PE
Connection	Screw terminals: max. 2 × 6 mm <sup>2</sup> (AWG 10)
LED display	yellow

**Commercial data**

country of origin	CZ
customs tariff number	85366990
EAN	4048879330725
eClass	27189217
Packaging unit	1