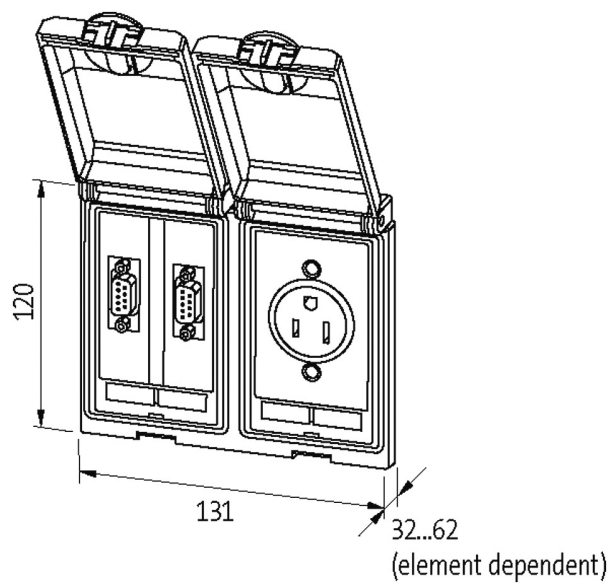


**Modlink MSDD-set: Frame 4000-68123-0000000,**  
insert 4000-68000-0010000 + 4000-68000-0130000

[Link to Product](#)

**Illustration**





Product may differ from image

The information in this brochure has been compiled with the utmost care.  
Liability for the correctness completeness and topicality of the information is restricted to gross negligence. Version: 04/19

Murrelektronik GmbH | Falkenstraße 3 | 71570 Oppenweiler | Fon +49 (71 91) 47-0 | Fax +49 (71 91) 47-491000 | shop@murrelektronik.com | shop.murrelektronik.com

Product may differ from image

**Frame**

|   |   |
|---|---|
| suitable for mounting with wall thickness | 1...5 mm  |
| Protection                                | IP65  |
| Housing                                   | Zinc die-casting, with surface finishing        |
| Temperature range                         | -10...+60 °C (storage temperature -25...+60 °C) |

**Germany (VDE)**

|                   |  |
|-------------------|--|
| Operating voltage | 250 V AC   |
| Operating current | 16 A   |
| No. of poles      | 2 + PE   |
| Connection        | Screw terminals: max. 2 × 6 mm <sup>2</sup> (AWG 10) |
| LED display       | yellow   |

**France (UTE-NF)**

|                   |   |
|-------------------|---|
| Operating voltage | 250 V AC  |
| Operating current | 10...16 A   |
| No. of poles      | 2 + PE  |
| Connection        | Spring clamp terminals: max. 2 × 2.5 mm <sup>2</sup> (AWG 14) |

**Commercial data**

|                       |               |
|-----------------------|---------------|
| country of origin     | CZ            |
| customs tariff number | 85389099      |
| EAN                   | 4048879035255 |
| eClass                | 27189217      |
| Packaging unit        | 1             |