

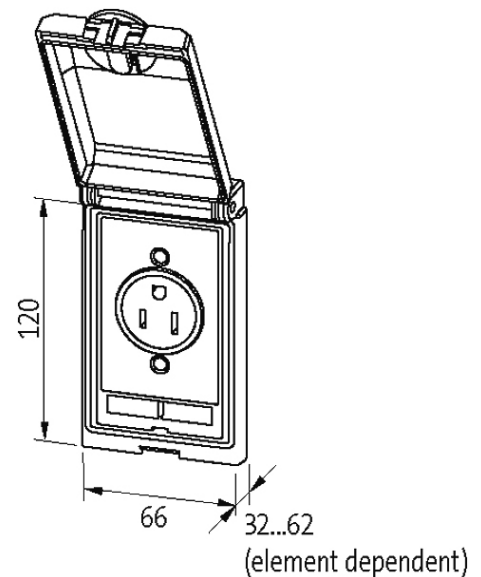
Modlink MSDD-set: Frame 4000-68113-0000000,

insert 4000-68000-0020000

[Link to Product](#)

Illustration



stay connected

Product may differ from Image

Frame

| | |
|---|---|
| suitable for mounting with wall thickness | 1...5 mm |
| Protection | IP65 |
| Housing | Zinc die-casting, with surface finishing |
| Temperature range | -10...+60 °C (storage temperature -25...+60 °C) |

Germany (VDE)

| | |
|-------------------|--|
| Operating voltage | 250 V AC |
| Operating current | 16 A |
| No. of poles | 2 + PE |
| Connection | Screw terminals: max. 2 × 6 mm ² (AWG 10) |

Commercial data

| | |
|-----------------------|----------|
| country of origin | CZ |
| customs tariff number | 85366990 |

The information in this brochure has been compiled with the utmost care.

Liability for the correctness completeness and topicality of the information is restricted to gross negligence. Version: 04/19

Murrelektronik GmbH | Falkenstraße 3 | 71570 Oppenweiler | Fon +49 (71 91) 47-0 | Fax +49 (71 91) 47-491000 | shop@murrelektronik.com | shop.murrelektronik.com

| | |
|----------------|---------------|
| EAN | 4048879036344 |
| eClass | 27189217 |
| Packaging unit | 1 |
