

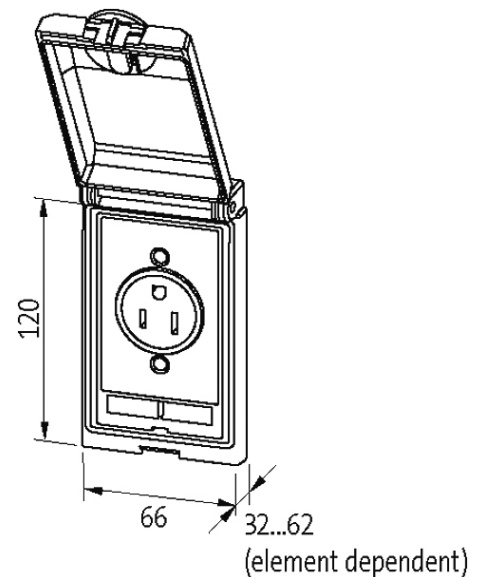
**Modlink MSDD-set: Frame 4000-68112-0000000,**

insert 4000-68000-0040000

[Link to Product](#)

**Illustration**



*stay connected*

Product may differ from Image

**Frame**

suitable for mounting with wall thickness	1...5 mm
Protection	IP65
Housing	Zinc die-casting, KTL coated
Temperature range	-10...+60 °C (storage temperature -25...+60 °C)

**USA**

Operating voltage	125 V AC
Operating current	15 A
No. of poles	2 + PE
Connection	Screw terminals: max. 2 × 2.5 mm <sup>2</sup> (AWG 14)

**Commercial data**

country of origin	CZ
customs tariff number	85366990

The information in this brochure has been compiled with the utmost care.

Liability for the correctness completeness and topicality of the information is restricted to gross negligence. Version: 04/19

Murrelektronik GmbH | Falkenstraße 3 | 71570 Oppenweiler | Fon +49 (71 91) 47-0 | Fax +49 (71 91) 47-491000 | shop@murrelektronik.com | shop.murrelektronik.com

---

EAN	4048879036610
eClass	27189217
Packaging unit	1

---