

SIEMENS CONTACTOR SUPPRESSOR

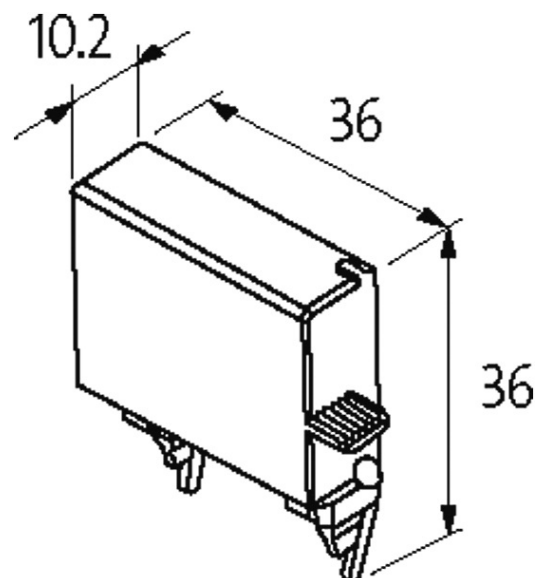
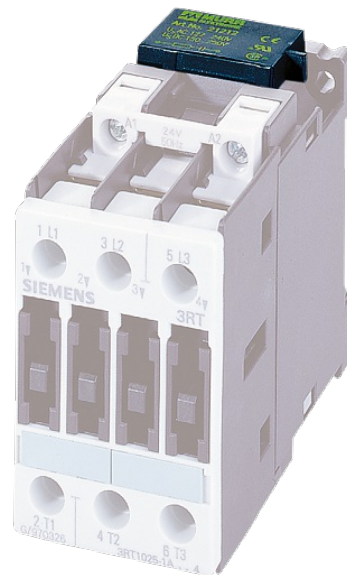
Diode, 0...240VDC

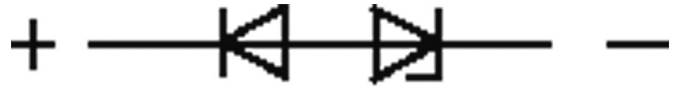
24 V DC

Diode/Z-Diode

Mounts on the underside of the contactor

For other configurations and voltages, please inquire.

[Link to Product](#)**Illustration**

stay connected

Diode/Z-Diode

Product may differ from Image

Appropriate contactors

3 RT 10.24/25/26

Technical Data

Damping factor	approx. 1.5 × UN
Material	Flame retardant plastic acc. to (UL 94)
Connection wires	Plug contact

General data

Dimensions H × W × D	36×36×10.2 mm
Temperature range	-20...+70 °C

Commercial data

country of origin	CZ
customs tariff number	85363010
EAN	4048879017503
eClass	27371013
Packaging unit	1