

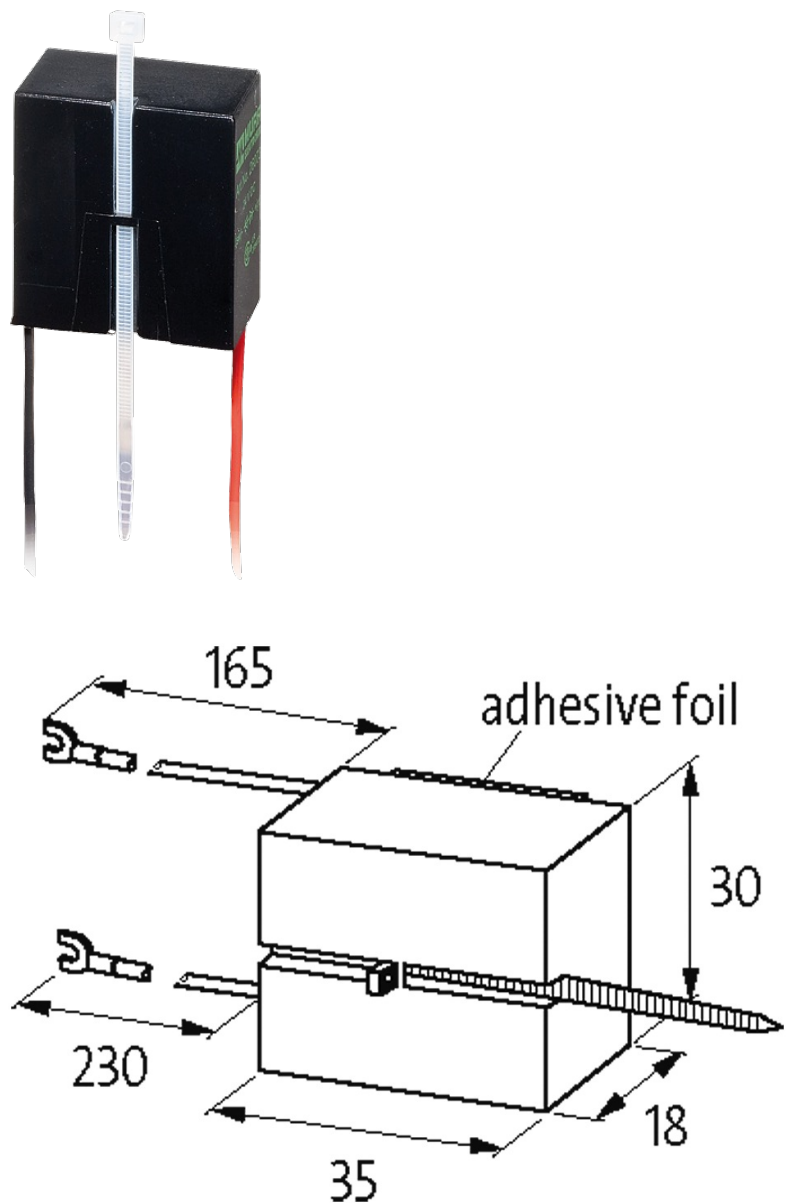
UNIVERSAL CONTACTOR SUPPRESSOR

RC, 48VDC15VA/W

48 V AC/DC

RC

For other configurations and voltages, please inquire.

[Link to Product](#)**Illustration**

stay connected



RC

Product may differ from Image

Approvals



Appropriate contactors

universal

Technical Data

| | |
|------------------|-----------------------------------------|
| Damping factor | approx. 1.5 × UN |
| Material | Flame retardant plastic acc. to (UL 94) |
| Connection wires | self-securing cable forks |
| Max. power (W) | 15 W (VA) |

General data

| | |
|----------------------|--------------|
| Dimensions H × W × D | 35×30×18 mm |
| Temperature range | -20...+70 °C |

Commercial data

| | |
|-----------------------|---------------|
| country of origin | CZ |
| customs tariff number | 85363010 |
| EAN | 4048879020657 |
| eClass | 27371013 |
| Packaging unit | 1 |