



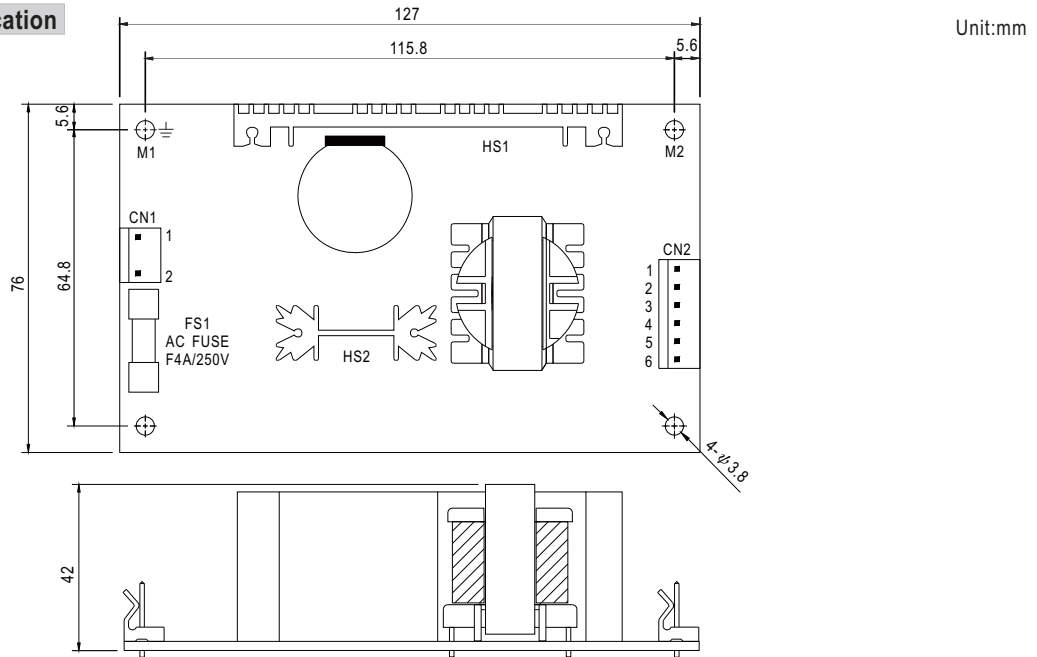
- Features :
- Universal AC input/Full range
- Low leakage current<0.75mA
- Protections: Short circuit / Overload / Over voltage
- Cooling by free air convection
- 100% full load burn-in test
- Fixed switching frequency at 65KHz
- 2 years warranty



**SPECIFICATION**

| MODEL                 | PS-65-3.3   | PS-65-5  | PS-65-7.5    | PS-65-12     | PS-65-13.5   | PS-65-15     | PS-65-24       | PS-65-27     | PS-65-48      |              |          |
|-----------------------|---|--|--------------|--------------|--------------|--------------|----------------|--------------|---------------|--------------|----------|
| OUTPUT                | DC VOLTAGE  | 3.3V   | 5V           | 7.5V         | 12V          | 13.5V        | 15V            | 24V          | 27V           | 48V          |          |
|                       | RATED CURRENT   | 12A  | 12A          | 8A           | 5.2A         | 4.7A         | 4.2A           | 2.7A         | 2.4A          | 1.35A        |          |
|                       | CURRENT RANGE   | 0 ~ 15.2A  | 0 ~ 13.8A    | 0 ~ 9.6A     | 0 ~ 6A       | 0 ~ 5.4A     | 0 ~ 4.8A       | 0 ~ 3A       | 0 ~ 2.7A      | 0 ~ 1.5A     |          |
|                       | RATED POWER   | 39.6W  | 60W          | 60W          | 62.4W        | 63.45W       | 63W            | 64.8W        | 64.8W         | 64.8W        |          |
|                       | OUTPUT POWER (max.)   | Rated output power for convection; 72W (+3.3V : 50W;+5V:69W) with 18 CFM min. Forced air   |              |              |              |              |                |              |               |              |          |
|                       | RIPPLE & NOISE (max.) Note.2  | 80mVp-p  | 100mVp-p     | 100mVp-p     | 100mVp-p     | 100mVp-p     | 100mVp-p       | 100mVp-p     | 100mVp-p      | 100mVp-p     | 100mVp-p |
|                       | VOLTAGE ADJ. RANGE  | 3.14 ~ 3.63V   | 4.75 ~ 5.5V  | 7.13 ~ 8.25V | 11.4 ~ 13.2V | 12.8 ~ 14.9V | 14.25 ~ 16.5V  | 22.8 ~ 26.4V | 25.65 ~ 29.7V | 45.6 ~ 52.8V |          |
|                       | VOLTAGE TOLERANCE Note.3  | ±3.0%  | ±3.0%        | ±3.0%        | ±2.0%        | ±2.0%        | ±2.0%          | ±2.0%        | ±2.0%         | ±2.0%        |          |
|                       | LINE REGULATION   | ±1.0%  | ±1.0%        | ±1.0%        | ±1.0%        | ±1.0%        | ±1.0%          | ±1.0%        | ±1.0%         | ±1.0%        |          |
|                       | LOAD REGULATION   | ±3.0%  | ±3.0%        | ±3.0%        | ±2.0%        | ±2.0%        | ±2.0%          | ±2.0%        | ±2.0%         | ±2.0%        |          |
| SETUP, RISE TIME      | 800ms, 20ms at full load  |  |              |              |              |              |                |              |               |              |          |
| HOLD UP TIME (Typ.)   | 60ms at full load   |  |              |              |              |              |                |              |               |              |          |
| INPUT                 | VOLTAGE RANGE   | 90 ~ 264VAC  |              | 127 ~370VDC  |              |              |                |              |               |              |          |
|                       | FREQUENCY RANGE   | 47 ~ 440Hz   |              |              |              |              |                |              |               |              |          |
|                       | EFFICIENCY(Typ.)  | 69%  | 76%          | 79%          | 79%          | 79%          | 79%            | 80%          | 80%           | 80%          |          |
|                       | AC CURRENT (Typ.)   | 1.2A/115VAC  |              | 0.72A/230VAC |              |              |                |              |               |              |          |
|                       | INRUSH CURRENT (Typ.)   | COLD START 20A/115VAC  |              | 40A/230VAC   |              |              |                |              |               |              |          |
| LEAKAGE CURRENT       | <0.75mA / 240VAC  |  |              |              |              |              |                |              |               |              |          |
| PROTECTION            | OVERLOAD  | 73 ~ 105W(3.3V : 51 ~ 75W)(5V : 70 ~ 105W) rated output power<br>Protection type : Hiccup mode, recovers automatically after fault condition is removed. |              |              |              |              |                |              |               |              |          |
|                       | OVER VOLTAGE  | 3.8 ~ 4.46V  | 5.75 ~ 6.75V | 8.63 ~ 10.1V | 13.8 ~ 16.2V | 15.5 ~ 18.2V | 17.25 ~ 20.25V | 27.6 ~ 32.4V | 31 ~ 36.45V   | 55.2 ~ 64.8V |          |
|                       |   | Protection type : Hiccup mode, recovers automatically after fault condition is removed.  |              |              |              |              |                |              |               |              |          |
| ENVIRONMENT           | WORKING TEMP.   | -10 ~ +60°C (Refer to "Derating Curve")  |              |              |              |              |                |              |               |              |          |
|                       | WORKING HUMIDITY  | 20 ~ 90% RH non-condensing   |              |              |              |              |                |              |               |              |          |
|                       | STORAGE TEMP., HUMIDITY   | -20 ~ +85°C, 10 ~ 95% RH   |              |              |              |              |                |              |               |              |          |
|                       | TEMP. COEFFICIENT   | ±0.04%/°C (0 ~ 50°C)   |              |              |              |              |                |              |               |              |          |
| VIBRATION             | 10 ~ 500Hz, 2G 10min./1cycle, period for 60min. each along X, Y, Z axes   |  |              |              |              |              |                |              |               |              |          |
| SAFETY & EMC (Note 4) | SAFETY STANDARDS  | UL60950-1, TUV EN60950-1 approved  |              |              |              |              |                |              |               |              |          |
|                       | WITHSTAND VOLTAGE   | I/P-O/P:3KVAC I/P-FG:2KVAC O/P-FG:0.5KVAC  |              |              |              |              |                |              |               |              |          |
|                       | ISOLATION RESISTANCE  | I/P-O/P, I/P-FG, O/P-FG:100M Ohms / 500VDC / 25y/ 70% RH   |              |              |              |              |                |              |               |              |          |
|                       | EMC EMISSION  | Compliance to EN55022 (CISPR22) Class B, EN61000-3-2,-3  |              |              |              |              |                |              |               |              |          |
|                       | EMC IMMUNITY  | Compliance to EN61000-4-2,3,4,5,6,8,11, EN55024, light industry level, criteria A  |              |              |              |              |                |              |               |              |          |
| OTHERS                | MTBF  | 300.7K hrs min. MIL-HDBK-217F (25°C)   |              |              |              |              |                |              |               |              |          |
|                       | DIMENSION   | 127*76*42mm (L*W*H)  |              |              |              |              |                |              |               |              |          |
|                       | PACKING   | 0.21Kg; 54pcs/14.2Kg/1.35CUFT  |              |              |              |              |                |              |               |              |          |
| NOTE                  | <ol style="list-style-type: none"> <li>1. All parameters NOT specially mentioned are measured at 230VAC input, rated load and 25°C of ambient temperature.</li> <li>2. Ripple &amp; noise are measured at 20MHz of bandwidth by using a 12" twisted pair-wire terminated with a 0.1uf &amp; 47uf parallel capacitor.</li> <li>3. Tolerance : includes set up tolerance, line regulation and load regulation.</li> <li>4. The power supply is considered a component which will be installed into a final equipment. All the EMC tests are been executed by mounting the unit on a 360mm*360mm metal plate with 1mm of thickness. The final equipment must be re-confirmed that it still meets EMC directives. For guidance on how to perform these EMC tests, please refer to "EMI testing of component power supplies." (as available on <a href="http://www.meanwell.com">http://www.meanwell.com</a>)</li> <li>5. Mounting holes M1 and M2 should be grounded for EMI purposes.</li> <li>6. Heat Sink HS1,HS2 can not be shorted.</li> </ol> |  |              |              |              |              |                |              |               |              |          |

**Mechanical Specification**



AC Input Connector (CN1) : Molex 5277-02 or equivalent

| Pin No. | Assignment | Mating Housing           | Terminal                 |
|---------|------------|--------------------------|--------------------------|
| 1       | AC/N       | Molex 5195 or equivalent | Molex 5194 or equivalent |
| 2       | AC/L       |                          |                          |

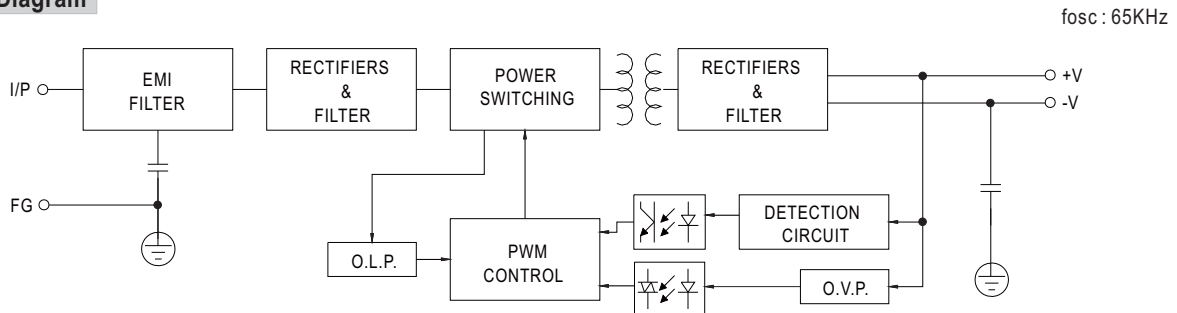
DC Output Connector (CN2) : Molex 5273-06 or equivalent

| Pin No. | Assignment | Mating Housing           | Terminal                 |
|---------|------------|--------------------------|--------------------------|
| 1,2,3   | +V         | Molex 5195 or equivalent | Molex 5194 or equivalent |
| 4,5,6   | -V         |                          |                          |

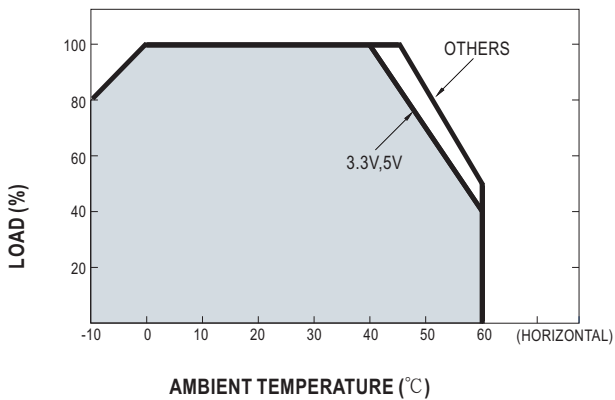
⊕ : Grounding Required

- ⚠ 1.HS1,HS2 cannot be shorted
- 2.M1 is safety ground

**Block Diagram**



**Derating Curve**



**Output Derating VS Input Voltage**

