



Contact characteristics

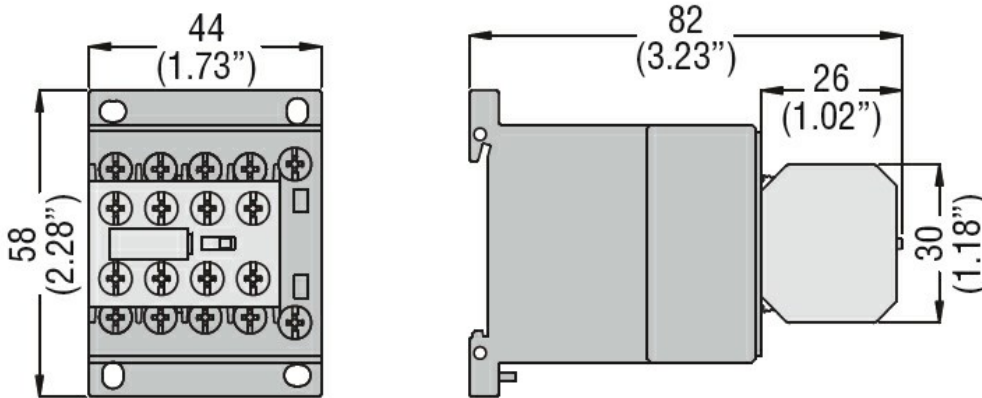
Tightening torque for terminals

| | | |
|-----|------|---|
| min | Ibin | 9 |
| max | Ibin | 9 |

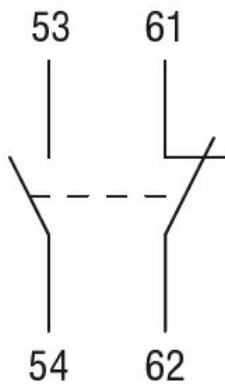
Tightening torque for coil terminal

| | | |
|-----|------|---|
| min | Ibin | 9 |
| max | Ibin | 9 |

Dimensions



Wiring diagrams



Certifications and compliance

Compliance

CSA C22.2 n° 60947-1
CSA C22.2 n° 60947-5-1
IEC/EN 60947-1
IEC/EN 60947-5-1
UL 60947-1
UL 60947-5-1

Certificates

CCC
cULus
EAC

ETIM classification

ETIM 8.0

EC000041 -
Auxiliary contact
block