

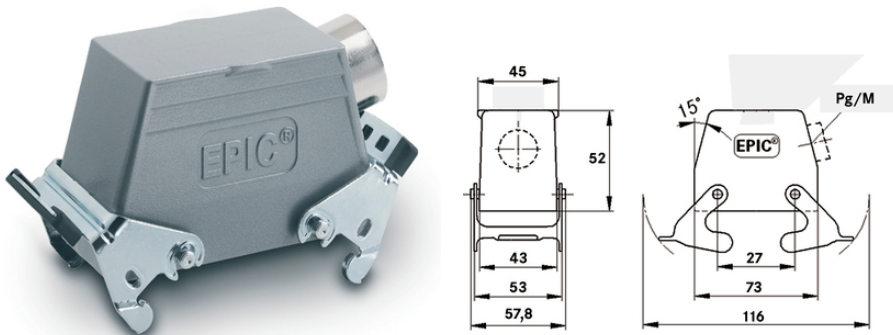
EPIC® H-B 10 TSB

Housing design H-B. The industry standard.

The universal low metal housing for rectangular connectors has 2 double levers, a side cable entry and a neck.

Info

Non-slip ridges for comfortable disconnecting
 Double lever version with 2 levers for increased safety
 Protection rating UL50E tested



Supplementary automation components from Lapp



Mechanical and plant engineering



Mechanical resistance



Robust



Waterproof

Benefits

The smallest housing with single and double lever. The right housing is available for every application
 For connection with counterpart with integrated cover

Application range

Plant engineering
 Light & sound technology
 Plastics industry

Last Update (07.10.2021)

©2021 Lapp Group - Technical changes reserved

Product Management www.lappkabel.de

You can find the current technical data in the corresponding data sheet.

PN 0456 / 02_03.16

EPIC® H-B 10 TSB

Product features

Hood, low version
Dual levers
Side cable entry
Versions with neck

Technical Data

Classification ETIM 5:	ETIM 5.0 Class-ID: EC000437 ETIM 5.0 Class-Description: Housing for industrial connectors
Classification ETIM 6:	ETIM 6.0 Class-ID: EC000437 ETIM 6.0 Class-Description: Housing for industrial connectors
Material:	Housing: powder-coated aluminium alloy, grey Lever: zinc-plated steel Sealing: NBR
Protection rating:	IP 65 (latched) NEMA 250, UL50E: 12, 4 (latched)
VDE-tested:	Certified production control: VDE-REG. no.: B437 UL-tested: UL File Number: E75770
Temperature range:	-40°C to +100°C, short-term up to +125°C

Note

Photographs and graphics are not to scale and do not represent detailed images of the respective products.
Prices are net prices without VAT and surcharges. Sale to business customers only.

EPIC® H-B 10 TSB

Article number	Article description	M	PG	Neck	Pieces / PU
H-B housing: hood (side cable entry, double lever)					
10045000	H-B 10 TSB 16	-	16	yes	10
19045000	H-B 10 TSB M20	20	-	yes	10
79057700	H-B 10 TSB M25	25	-	yes	10

Last Update (07.10.2021)

©2021 Lapp Group - Technical changes reserved

Product Management www.lappkabel.de

You can find the current technical data in the corresponding data sheet.
PN 0456 / 02_03.16