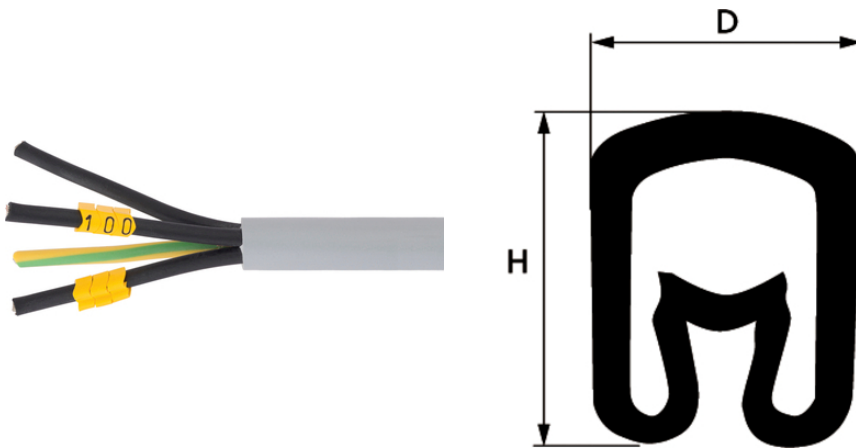


Marking rings PA

Closed marking rings with pre-printed characters and numbers for marking wires/single cores before assembly, flame-retardant according to UL 94 V

Info

Accessories (storage box, mounting tool) available in the web catalogue



Flame-retardant



UV-resistant

Benefits

Closed marking rings with pre-printed number or character

Anti-rotation protection

Due to its special profile with spring effects, the 4 different sizes can cover a range of cross-sections from 0.2 to 70 mm²

Good UV resistance

Application range

For single core marking

Marking before assembly

These closed collars are intended for cables that are not connected yet

Product features

Cross-section in mm²:

PA 02: 0.2-1.5

PA 1: 1.5-4

PA 2: 2.5-16

PA 3: 16-70

Diameter application area in mm:

PA 02: 1.3-3

PA 1: 2.5-5

PA 2: 4.0-10.0

PA 3: 8-16

Width x height mm / sleeve length mm:

PA 02: 3.5 x 3.6 / 3

PA 1: 4.2 x 5.5 / 3

PA 2: 6.6 x 9.5 / 4

Last Update (10.01.2022)

©2022 Lapp Group - Technical changes reserved

Product Management www.lappkabel.de

You can find the current technical data in the corresponding data sheet.

PN 0456 / 02_03.16

Marking rings PA

PA 3: 11 x 16.5 / 6

Norm references / Approvals

Extremely flame-retardant according to
UL 94 V0

Note

PA 02 also available as collector's box (article no. 61833050, contains 600 rings with inscription 0-9)
PA 1 also available as collector's box (article no. 61833060, contains 500 rings with inscription 0-9)

Technical Data

Classification ETIM 5:	ETIM 5.0 Class-ID: EC001288 ETIM 5.0 Class-Description: Labelling material
Classification ETIM 6:	ETIM 6.0 Class-ID: EC001288 ETIM 6.0 Class-Description: Labelling material
Colour delivered:	Yellow
Material:	Cadmium-free and silicon-free soft PVC
Temperature range:	-30°C to +60°C

Note

Photographs and graphics are not to scale and do not represent detailed images of the respective products.
Prices are net prices without VAT and surcharges. Sale to business customers only.

Marking rings PA

Article number	Article designation	Markers / PU	PU
PA 02			
61817800	PA 02 / 0	200	1
61817820	PA 02 / 2	200	1
61817830	PA 02 / 3	200	1
61817840	PA 02 / 4	200	1
61817850	PA 02 / 5	200	1
61817860	PA 02 / 6	200	1
61817870	PA 02 / 7	200	1
61817880	PA 02 / 8	200	1
61817890	PA 02 / 9	200	1
61817900	PA 02/blank	200	1
61817910	PA 02 / A	200	1
61817920	PA 02 / B	200	1
61817930	PA 02 / C	200	1
61817940	PA 02 / D	200	1
61817950	PA 02 / E	200	1
61817960	PA 02 / F	200	1
61817970	PA 02 / G	200	1
61817980	PA 02 / H	200	1
61817990	PA 02 / I	200	1
61818000	PA 02 / J	200	1
61818011	PA 02 / K	200	1
61818020	PA 02 / L	200	1
61818030	PA 02 / M	200	1
61818040	PA 02 / N	200	1
61818050	PA 02 / O	200	1
61818060	PA 02 / P	200	1
61818070	PA 02 / Q	200	1
61818080	PA 02 / R	200	1
61818090	PA 02 / S	200	1
61819100	PA 02 / T	200	1
61819110	PA 02 / U	200	1
61819120	PA 02 / V	200	1
61819130	PA 02 / W	200	1
61819140	PA 02 / X	200	1

Last Update (10.01.2022)

©2022 Lapp Group - Technical changes reserved

 Product Management www.lappkabel.de

You can find the current technical data in the corresponding data sheet.

PN 0456 / 02_03_16

Marking rings PA

Article number	Article designation	Markers / PU	PU
61819150	PA 02 / Y	200	1
61819160	PA 02 / Z	200	1
61819170	PA 02 //	200	1
61819180	PA 02 / .	200	1
61819190	PA 02 / ,	200	1
61819200	PA 02 / :	200	1
61819210	PA 02 / =	200	1
61819220	PA 02/earth	200	1
61819260	PA 02 / +	200	1
61819270	PA 02 / -	200	1
61819280	PA 02 / ~	200	1
PA 1			
61819300	PA 1 / 0	200	1
61819310	PA 1 / 1	200	1
61819320	PA 1 / 2	200	1
61819330	PA 1 / 3	200	1
61819360	PA 1 / 6	200	1
61819340	PA 1 / 4	200	1
61819350	PA 1 / 5	200	1
61819370	PA 1 / 7	200	1
61819380	PA 1 / 8	200	1
61819390	PA 1 / 9	200	1
61819400	PA 1 /blank	200	1
61819410	PA 1 / A	200	1
61819420	PA 1 / B	200	1
61819430	PA 1 / C	200	1
61819440	PA 1 / D	200	1
61819450	PA 1 / E	200	1
61819460	PA 1 / F	200	1
61819470	PA 1 / G	200	1
61819480	PA 1 / H	200	1
61819490	PA 1 / I	200	1
61819500	PA 1 / J	200	1
61819510	PA 1 / K	200	1
61819520	PA 1 / L	200	1

Last Update (10.01.2022)

©2022 Lapp Group - Technical changes reserved

 Product Management www.lappkabel.de

You can find the current technical data in the corresponding data sheet.

PN 0456 / 02_03_16

Marking rings PA

Article number	Article designation	Markers / PU	PU
61819530	PA 1 / M	200	1
61819540	PA 1 / N	200	1
61819550	PA 1 / O	200	1
61819560	PA 1 / P	200	1
61819570	PA 1 / Q	200	1
61819580	PA 1 / R	200	1
61819590	PA 1 / S	200	1
61819600	PA 1 / T	200	1
61819610	PA 1 / U	200	1
61819620	PA 1 / V	200	1
61819630	PA 1 / W	200	1
61819640	PA 1 / X	200	1
61819650	PA 1 / Y	200	1
61819660	PA 1 / Z	200	1
61819670	PA 1 / /	200	1
61819680	PA 1 / .	200	1
61819690	PA 1 / ,	200	1
61819700	PA 1 / :	200	1
61819710	PA 1 / =	200	1
61819720	PA 1 / earth	200	1
61819760	PA 1 / +	200	1
61819770	PA 1 / -	200	1
61819780	PA 1 / ~	200	1
PA 2			
61819800	PA 2 / 0	100	1
61819810	PA 2 / 1	100	1
61819820	PA 2 / 2	100	1
61819830	PA 2 / 3	100	1
61819840	PA 2 / 4	100	1
61819850	PA 2 / 5	100	1
61819860	PA 2 / 6	100	1
61819870	PA 2 / 7	100	1
61819880	PA 2 / 8	100	1
61819890	PA 2 / 9	100	1
61819900	PA 2 / blank	100	1

Last Update (10.01.2022)

©2022 Lapp Group - Technical changes reserved

 Product Management www.lappkabel.de

You can find the current technical data in the corresponding data sheet.

PN 0456 / 02_03_16

Marking rings PA

Article number	Article designation	Markers / PU	PU
61819910	PA 2 / A	100	1
61819920	PA 2 / B	100	1
61819930	PA 2 / C	100	1
61819940	PA 2 / D	100	1
61819950	PA 2 / E	100	1
61819960	PA 2 / F	100	1
61819970	PA 2 / G	100	1
61819980	PA 2 / H	100	1
61819990	PA 2 / I	100	1
61820000	PA 2 / J	100	1
61820010	PA 2 / K	100	1
61820020	PA 2 / L	100	1
61820030	PA 2 / M	100	1
61820040	PA 2 / N	100	1
61820050	PA 2 / O	100	1
61820060	PA 2 / P	100	1
61820070	PA 2 / Q	100	1
61820080	PA 2 / R	100	1
61820090	PA 2 / S	100	1
61820100	PA 2 / T	100	1
61820110	PA 2 / U	100	1
61820120	PA 2 / V	100	1
61820130	PA 2 / W	100	1
61820140	PA 2 / X	100	1
61820150	PA 2 / Y	100	1
61820160	PA 2 / Z	100	1
61820170	PA 2 //	200	1
61820180	PA 2 / .	100	1
61820190	PA 2 / ,	100	1
61820200	PA 2 / :	200	1
61820210	PA 2 / =	100	1
61820220	PA 2/earth	100	1
61820260	PA 2 / +	100	1
61820270	PA 2 / -	100	1
61820280	PA 2 / ~	100	1

Last Update (10.01.2022)

©2022 Lapp Group - Technical changes reserved

 Product Management www.lappkabel.de

You can find the current technical data in the corresponding data sheet.

PN 0456 / 02_03_16

Marking rings PA

Article number	Article designation	Markers / PU	PU
PA 3			
61820300	PA 3 / 0	20	1
61820310	PA 3 / 1	20	1
61820320	PA 3 / 2	20	1
61820330	PA 3 / 3	20	1
61820340	PA 3 / 4	20	1
61820350	PA 3 / 5	20	1
61820360	PA 3 / 6	20	1
61820370	PA 3 / 7	20	1
61820380	PA 3 / 8	20	1
61820390	PA 3 / 9	20	1
61820400	PA3 / blank	20	1
61820410	PA 3 / A	20	1
61820420	PA 3 / B	20	1
61820430	PA 3 / C	20	1
61820440	PA 3 / D	20	1
61820450	PA 3 / E	20	1
61820460	PA 3 / F	20	1
61820470	PA 3 / G	20	1
61820480	PA 3 / H	20	1
61820490	PA 3 / I	20	1
61820500	PA 3 / J	20	1
61820510	PA 3 / K	20	1
61820520	PA 3 / L	20	1
61820530	PA 3 / M	20	1
61820540	PA 3 / N	20	1
61820550	PA 3 / O	20	1
61820560	PA 3 / P	20	1
61820570	PA 3 / Q	20	1
61820580	PA 3 / R	20	1
61820590	PA 3 / S	20	1
61820600	PA 3 / T	20	1
61820610	PA 3 / U	20	1
61820620	PA 3 / V	20	1
61820630	PA 3 / W	20	1

Last Update (10.01.2022)

©2022 Lapp Group - Technical changes reserved

Product Management www.lappkabel.deYou can find the current technical data in the corresponding data sheet.
PN 0456 / 02_03_16

Marking rings PA

Article number	Article designation	Markers / PU	PU
61820640	PA 3 / X	20	1
61820650	PA 3 / Y	20	1
61820660	PA 3 / Z	20	1
61820670	PA 3 / /	20	1
61820680	PA 3 / .	20	1
61820720	PA 3 /earth	20	1
61820760	PA 3 / +	20	1
61820770	PA 3 / -	20	1
61820780	PA 3 / ~	20	1

Last Update (10.01.2022)

©2022 Lapp Group - Technical changes reserved

Product Management www.lappkabel.de

You can find the current technical data in the corresponding data sheet.

PN 0456 / 02_03_16