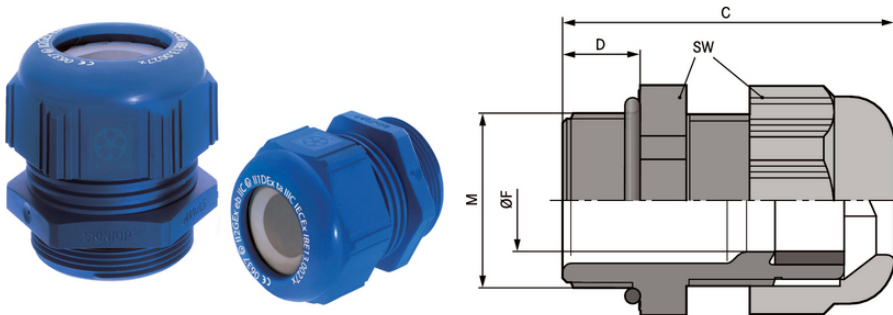


SKINTOP® KR-M ATEX plus blue

SKINTOP® KR-M ATEX plus blue, metric plastic cable gland with high degree of protection and reducing seal insert, explosion-proof



-  Oil & Gas
-  Mechanical resistance
-  Optimum strain relief
-  Reliability
-  Variety of approval certifications

Benefits

- High degree of protection
- Cold impact resistance
- High strain relief
- Wide, variable clamping ranges
- Permanent vibration protection

Application range

With reducing seal insert, to seal cables with smaller outer diameters

Product Make-up

Metric connection thread acc. to DIN EN 60423
Basis for technical information DIN IEC 62444

Technical Data

Last Update (03.02.2022)
©2022 Lapp Group - Technical changes reserved
Product Management www.lappkabel.de
You can find the current technical data in the corresponding data sheet.
PN 0456 / 02_03.16

SKINTOP® KR-M ATEX plus blue

Classification ETIM 5:	ETIM 5.0 Class-ID: EC000441 ETIM 5.0 Class-Description: Cable screw gland
Classification ETIM 6:	ETIM 6.0 Class-ID: EC000441 ETIM 6.0 Class-Description: Cable screw gland
Caution:	Refer to the instruction leaflet for the installation dimensions and torques
Certifications:	CE 0637 Ex II 2G Ex eb IIC Ex II 1D Ex ta IIIC IECEX IBE 13.0027X
Colour delivered:	Blue (RAL 5015)
Material:	Body: special polyamide Seal: special elastomer O-ring: CR
Tests:	DIN EN 60079-0 DIN EN 60079-7 DIN EN 60079-31
Protection rating:	IP 68 - 10 bar
Temperature range:	-20°C to +80°C

Note

Photographs and graphics are not to scale and do not represent detailed images of the respective products.
Prices are net prices without VAT and surcharges. Sale to business customers only.

SKINTOP® KR-M ATEX plus blue

Article number	Article designation / size	Clamping range ØF mm	Thread M	SW wrench size mm	Overall length C mm	Thread length D mm	Pieces / PU
SKINTOP® KR-M ATEX plus blue							
54115405	KR-M 12 ATEX plus blue	2 - 4	12 x 1.5	15	30	8	50
54115415	KR-M 16 ATEX plus blue	4 - 6	16 x 1.5	19	34	8	50
54115425	KR-M 20 ATEX plus blue	5 - 10	20 x 1.5	25	38	9	50
54115435	KR-M 25 ATEX plus blue	6 - 13	25 x 1.5	30	40	10	25
54115445	KR-M 32 ATEX plus blue	9 - 15	32 x 1.5	36	47	10	25
54115455	KR-M 40 ATEX plus blue	16 - 23	40 x 1.5	46	52	10	10
54115465	KR-M 50 ATEX plus blue	22 - 29	50 x 1.5	55	62	12	5
54115475	KR-M 63 ATEX plus blue	29 - 39	63 x 1.5	66	71	12	5

Last Update (03.02.2022)

©2022 Lapp Group - Technical changes reserved

Product Management www.lappkabel.deYou can find the current technical data in the corresponding data sheet.
PN 0456 / 02_03_16