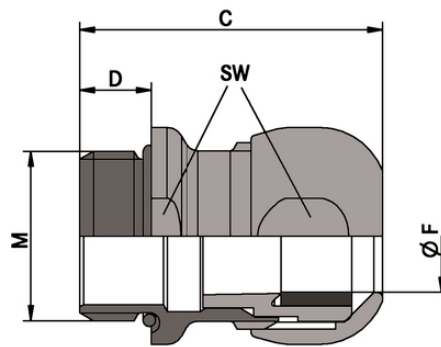


SKINTOP® INOX / SKINTOP® INOX-R

SKINTOP® INOX / SKINTOP® INOX-R, corrosion-resistant stainless steel cable gland with smooth surfaces, compact design, sea water-resistant

Info

Stainless steel version with compact design
For use in the splash zone in the food production



Food & Beverage



Suitable for outdoor use



Good chemical resistance



Wide clamping range



Halogen-free



Mechanical resistance



Temperature-resistant

Benefits

Corrosion-resistant
Sea water-resistant
Smooth surfaces - no edges
Compact design
Wide, variable clamping ranges

Last Update (10.01.2022)

©2022 Lapp Group - Technical changes reserved

Product Management www.lappkabel.de

You can find the current technical data in the corresponding data sheet.

PN 0456 / 02_03.16

SKINTOP® INOX / SKINTOP® INOX-R

Application range

Onshore and offshore applications
Bottling plants and breweries
Food industry (product-free zone, splash zone)

Norm references / Approvals

ECOLAB®
Industry standard in the field of professional cleaning and disinfection in the food and beverage industry
DIN EN 1672-2
Guideline for the design of machinery
DIN EN ISO 14159
Security of machinery – Hygienic requirements for the design of machinery
NSF/ANSI 169
Hygienic design for machinery and components

Product Make-up

Metric connection thread acc. to DIN EN 60423
Basis for technical information DIN IEC 62444

Technical Data

| | |
|------------------------|--|
| Classification ETIM 5: | ETIM 5.0 Class-ID: EC000441 ETIM 5.0 Class-Description: Cable screw gland |
| Classification ETIM 6: | ETIM 6.0 Class-ID: EC000441 ETIM 6.0 Class-Description: Cable screw gland |
| Material: | Body: stainless steel V4A (1.4404 / 316L) Insert: polyamide Sealing: silicone O-Ring: silicone Halogen-free |
| Protection rating: | IP 68 - 10 bar (M12 - M20) IP 68 - 5 bar (M25 - M50) IP 69 NEMA Type 1, 2, 4x, 6, 12 |
| Temperature range: | -40°C to +100°C |

Note

Photographs and graphics are not to scale and do not represent detailed images of the respective products.
Prices are net prices without VAT and surcharges. Sale to business customers only.

SKINTOP® INOX / SKINTOP® INOX-R

| Article number | Article designation / size | Ø F mm | SW wrench size mm | Overall length C mm | Thread length D mm | Pieces / PU |
|-----------------|----------------------------|---------|-------------------|---------------------|--------------------|-------------|
| SKINTOP® INOX | | | | | | |
| 53806739 | M 12 x 1,5 | 4 - 7 | 16 | 29.3 | 6.5 | 5 |
| 53806740 | M 16 x 1,5 | 6 - 10 | 20 | 32.4 | 7 | 5 |
| 53806741 | M 20 x 1,5 | 7 - 13 | 24 | 35.5 | 8 | 5 |
| 53806742 | M 25 x 1,5 | 9 - 17 | 29 | 39.2 | 8 | 5 |
| 53806743 | M 32 x 1,5 | 11 - 21 | 36 | 44.6 | 9 | 5 |
| SKINTOP® INOX-R | | | | | | |
| 53806749 | M 12 x 1,5 | 3 - 5 | 16 | 29.3 | 6.5 | 5 |
| 53806750 | M 16 x 1,5 | 5 - 7 | 20 | 32.4 | 7 | 5 |
| 53806751 | M 20 x 1,5 | 6 - 10 | 24 | 35.5 | 8 | 5 |
| 53806752 | M 25 x 1,5 | 7 - 13 | 29 | 39.2 | 8 | 5 |
| 53806753 | M 32 x 1,5 | 8 - 15 | 36 | 44.6 | 9 | 5 |

Last Update (10.01.2022)

©2022 Lapp Group - Technical changes reserved

Product Management www.lappkabel.de

You can find the current technical data in the corresponding data sheet.

PN 0456 / 02_03_16