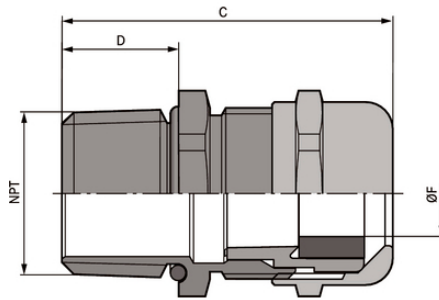







SKINTOP® COLD NPT

SKINTOP® COLD, metric brass cable gland, high cold-resistance and cold impact resistance, high mechanical stability

Info

For extreme sub-zero temperatures



-  Good chemical resistance
-  Cold-resistant
-  Corrosion-resistant
-  Mechanical resistance
-  Temperature-resistant

Benefits

- High cold-resistance
- Cold impact resistance
- High mechanical stability
- Optimum strain relief
- Wide, variable clamping ranges

Application range

- In areas where mechanical stability and high cold-resistance are critical
- Air-conditioning technology
- Freezing plants, cold storage
- Offshore sector
- Plant engineering

Last Update (11.04.2022)

©2022 Lapp Group - Technical changes reserved

Product Management www.lappkabel.de

You can find the current technical data in the corresponding data sheet.

PN 0456 / 02_03.16

SKINTOP® COLD NPT

Norm references / Approvals

UL File Nr. E79903

Product Make-up

NPT connection thread acc. to ASME B1.20.1 - 2013

SKINTOP® COLD-R NPT is equipped with a reduction seal insert to seal cables and wires with small outer diameters

Technical Data

| | |
|------------------------|--|
| Classification ETIM 5: | ETIM 5.0 Class-ID: EC000441 ETIM 5.0 Class-Description: Cable screw gland |
| Classification ETIM 6: | ETIM 6.0 Class-ID: EC000441 ETIM 6.0 Class-Description: Cable screw gland |
| Material: | Body: nickel-plated brass Insert: special polyamide Sealing ring: silicone O-ring: silicone |
| Protection rating: | IP 68 - 10 bar (NPT 1/4" - 1/2") IP 68 - 5 bar (NPT 3/4" - 2") NEMA Type 1, 2, 4x, 6, 12 |
| Temperature range: | -70°C to +100°C |

Note

Photographs and graphics are not to scale and do not represent detailed images of the respective products.
Prices are net prices without VAT and surcharges. Sale to business customers only.

SKINTOP® COLD NPT

| Article number | Article designation / size | Ø F mm | SW wrench size mm | Overall length C mm | Thread length D mm | Pieces / PU |
|---------------------|----------------------------|---------|-------------------|---------------------|--------------------|-------------|
| SKINTOP® COLD NPT | | | | | | |
| 53113700 | NPT 1/4" | 4 - 7 | 16 | 36.0 | 15 | 100 |
| 53113701 | NPT 3/8" | 5 - 10 | 20 | 39.7 | 15 | 100 |
| 53113702 | NPT 1/2" | 7 - 13 | 24 | 42.5 | 15 | 50 |
| 53113703 | NPT 3/4" | 9 - 17 | 29 | 44.5 | 15 | 25 |
| 53113704 | NPT 1" | 11 - 21 | 36 | 49.0 | 15 | 25 |
| 53113705 | NPT 1 1/4" | 19 - 28 | 45 | 57.5 | 15 | 10 |
| 53113706 | NPT 1 1/2" | 27 - 35 | 54 | 61.5 | 17 | 5 |
| 53113707 | NPT 2" | 34 - 45 | 67 | 63.5 | 17 | 5 |
| SKINTOP® COLD-R NPT | | | | | | |
| 53113710 | NPT 1/4" | 3 - 5 | 16 | 36.0 | 15 | 100 |
| 53113711 | NPT 3/8" | 4.5 - 7 | 20 | 39.7 | 15 | 100 |
| 53113712 | NPT 1/2" | 6 - 10 | 24 | 42.5 | 15 | 50 |
| 53113713 | NPT 3/4" | 7 - 13 | 29 | 44.5 | 15 | 25 |
| 53113714 | NPT 1" | 8 - 15 | 36 | 49.0 | 15 | 25 |
| 53113715 | NPT 1 1/4" | 15 - 23 | 45 | 57.5 | 17 | 10 |
| 53113716 | NPT 1 1/2" | 22 - 29 | 54 | 61.5 | 17 | 5 |
| 53113717 | NPT 2" | 28 - 39 | 67 | 63.5 | 17 | 5 |

Last Update (11.04.2022)

©2022 Lapp Group - Technical changes reserved

 Product Management www.lappkabel.de

 You can find the current technical data in the corresponding data sheet.
 PN 0456 / 02_03_16