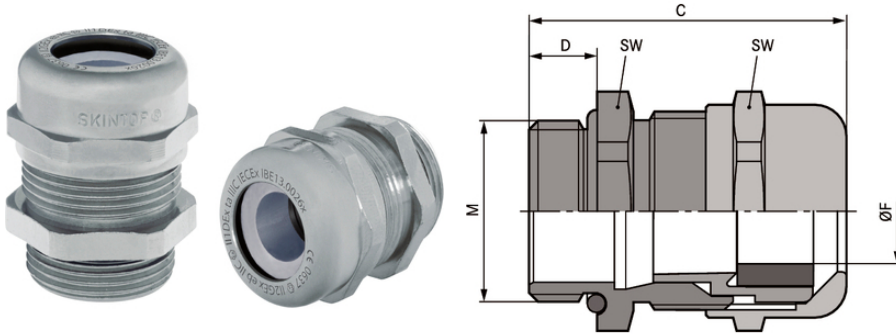


SKINTOP® MSR-M ATEX

SKINTOP® MSR-M ATEX, anti-static brass cable gland with cold impact resistance and reducing seal insert, explosion-proof



-  Oil & Gas
-  Good chemical resistance
-  Mechanical resistance
-  Optimum strain relief
-  Reliability
-  Variety of approval certifications

Benefits

- Cold impact resistance
- High strain relief
- Wide, variable clamping ranges
- Maximum reliability

Application range

With reducing seal insert, to seal cables with smaller outer diameters

Product Make-up

Metric connection thread acc. to DIN EN 60423
Basis for technical information DIN IEC 62444

Last Update (10.01.2022)

©2022 Lapp Group - Technical changes reserved

Product Management www.lappkabel.de

You can find the current technical data in the corresponding data sheet.

PN 0456 / 02_03.16

SKINTOP® MSR-M ATEX

Technical Data

Classification ETIM 5:	ETIM 5.0 Class-ID: EC000441 ETIM 5.0 Class-Description: Cable screw gland
Classification ETIM 6:	ETIM 6.0 Class-ID: EC000441 ETIM 6.0 Class-Description: Cable screw gland
Caution:	Refer to the instruction leaflet for the installation dimensions and torques
Certifications:	CE 0637 Ex II 2G Ex eb IIC Ex II 1D Ex ta IIIC IECEX IBE 13.0026X
Material:	Body: nickel-plated brass Insert: polyamide Sealing: CR O-ring: NBR
Tests:	DIN EN 60079-0 DIN EN 60079-7 DIN EN 60079-31
Protection rating:	IP 68 - 10 bar IP 66 NEMA Type 1, 4x, 6, 12
Temperature range:	-30°C to +90°C

Note

Photographs and graphics are not to scale and do not represent detailed images of the respective products. Prices are net prices without VAT and surcharges. Sale to business customers only.

SKINTOP® MSR-M ATEX

Article number	Article designation / size	Ø F mm	SW wrench size mm	Overall length C mm	Thread length D mm	Pieces / PU
SKINTOP® MSR-M ATEX						
53112705	M 12 x 1,5	2.0 - 5.0	16	26.5	6.5	100
53112715	M 16 x 1,5	4.0 - 7.0	20	33.0	7	100
53112725	M 20 x 1,5	5.0 - 10.0	24	37.0	8	50
53112735	M 25 x 1,5	6.0 - 13.0	29	38.5	8	25
53112745	M 32 x 1,5	7.0 - 15.0	36	45.5	9	25
53112755	M 40 x 1,5	16.0 - 23.0	45	48.0	9	10
53112765	M 50 x 1,5	19.0 - 29.0	54	55.5	10	5
53112775	M 63 x 1,5	32.0 - 39.0	67	67.0	15	5

Last Update (10.01.2022)

©2022 Lapp Group - Technical changes reserved

Product Management www.lappkabel.de

You can find the current technical data in the corresponding data sheet.

PN 0456 / 02_03_16