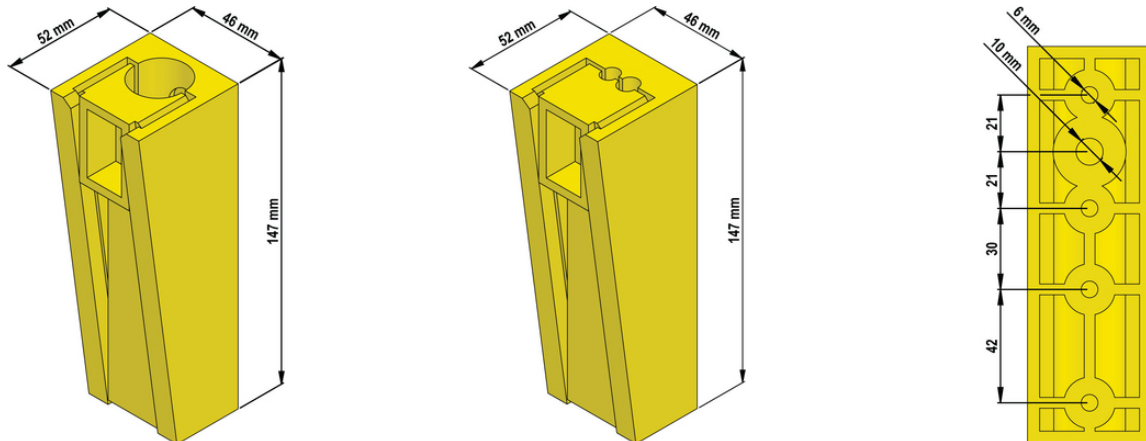


RKK Round cable wedge clamps

RKK 01-06 wedges for fastening round cables

Info

Suitable mounting plates in the web catalog



Benefits

The wedged clamps hold the cable without damaging it and without restricting the necessary movement of the cable

Application range

Mounting of round control cables

Product Make-up

RKK 01 for 2 cables (7-10mm and 8-11mm)

Technical Data

Classification ETIM 5:

ETIM 5.0 Class-ID: EC000127

ETIM 5.0 Class-Description: Fixing clip

Classification ETIM 6:

ETIM 6.0 Class-ID: EC000127

ETIM 6.0 Class-Description: Saddle

Note:

Clamping force: 343N

Material:

Polyamide 6.6

Temperature range:

-20°C to +50°C

Note

Photographs and graphics are not to scale and do not represent detailed images of the respective products. Prices are net prices without VAT and surcharges. Sale to business customers only.

RKK Round cable wedge clamps

Article number	Article designation	Number of cables	For cable outer Ø (mm)	Weight (g)	Pieces / PU
52026020	RKK 01	2	7.0 - 11.0	200	1
52026024	RKK 02	1	18 - 21.5	180	1
52026028	RKK 04	1	24.5 - 26	150	1
52026030	RKK 05	1	19 - 24	170	1
52026022	RKK 06	1	11.5 - 14	184	1

Last Update (02.04.2022)

©2022 Lapp Group - Technical changes reserved

Product Management www.lappkabel.de

You can find the current technical data in the corresponding data sheet.
PN 0456 / 02_03_16