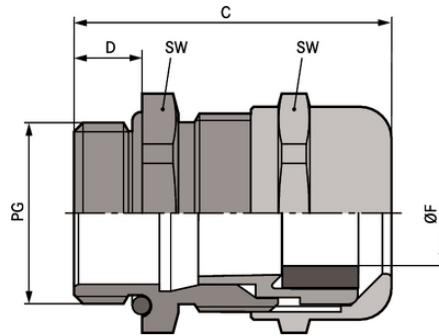


## SKINTOP® MSR

SKINTOP® MSR, brass cable gland with reducing seal insert, in areas where mechanical and chemical stability are critical



Good chemical resistance



Corrosion-resistant



Mechanical resistance



Optimum strain relief



Robust



Temperature-resistant



Variety of approval certifications

### Benefits

Maximum reliability  
 Optimum strain relief  
 Wide, variable clamping ranges

### Application range

With reducing seal insert, to seal cables with smaller outer diameters

### Product Make-up

PG connection thread acc. to DIN 40430

Last Update (20.10.2021)

©2021 Lapp Group - Technical changes reserved

Product Management [www.lappkabel.de](http://www.lappkabel.de)

You can find the current technical data in the corresponding data sheet.

PN 0456 / 02\_03.16

## SKINTOP® MSR

### Technical Data

Classification ETIM 5:	ETIM 5.0 Class-ID: EC000441 ETIM 5.0 Class-Description: Cable screw gland
Classification ETIM 6:	ETIM 6.0 Class-ID: EC000441 ETIM 6.0 Class-Description: Cable screw gland
Caution:	Refer to Appendix T21 for the installation dimensions and torques
Material:	Body: nickel-plated brass Insert: polyamide Sealing: CR O-ring: NBR
Protection rating:	IP 68 - 5 bar
Temperature range:	Dynamic: -25°C up to +100°C Fixed: -40°C up to +100°C

### Note

Photographs and graphics are not to scale and do not represent detailed images of the respective products. Prices are net prices without VAT and surcharges. Sale to business customers only.

**SKINTOP® MSR**

Article number	Article designation / size	Ø F mm	SW wrench size mm	Overall length C mm	Thread length D mm	Pieces / PU
SKINTOP® MSR						
52015770	PG 7	2.0 - 5.0	14	25.0	5	100
52015780	PG 9	2.0 - 6.0	17	29.0	6	100
52015790	PG 11	3.0 - 7.0	20	32.0	6	50
52015800	PG 13,5	4.0 - 9.0	22	34.0	6.5	50
52015810	PG 16	6.0 - 13.0	24	35.0	6.5	50
52015820	PG 21	8.0 - 16.0	30	40.0	7	25
52015830	PG 29	10.5 - 20.0	40	48.0	8	25
52015831	PG 36	19.0 - 26.0	50	62.0	15	10
52015832	PG 42	24.0 - 31.0	57	62.0	15	5
52015833	PG 48	28.0 - 35.0	64	62.0	15	5

Last Update (20.10.2021)

©2021 Lapp Group - Technical changes reserved

Product Management [www.lappkabel.de](http://www.lappkabel.de)You can find the current technical data in the corresponding data sheet.  
PN 0456 / 02\_03.16