

## UNITRONIC® BUS ASI

AS-INTERFACE cables for networking systems in the field

Communication at sensor/actuator level. Halogen free (rubber), UL-approval (PVC), oil resistant (TPE). Temperature range from -40°C bis +90°C

### Info

"LD" = Long Distance

LAPP KABEL STUTTGART UNITRONIC® BUS ASI

LAPP KABEL STUTTGART UNITRONIC® BUS ASI

LAPP KABEL STUTTGART UNITRONIC® BUS ASI



Supplementary automation components from Lapp



Mechanical and plant engineering



Good chemical resistance



Halogen-free



Temperature-resistant

### Benefits

The new BUS ASI LD 2 x 2.5 (Long Distance) allows even modules located further away to be connected.

AS-I power supplies can be reduced. The BUS ASI LD is downwards-compatible with version 1.5.

The rubber versions are halogen-free

### Application range

Communication at sensor/actuator level

Sensor-/actuator wiring

For fixed installation as well as occasional flexing at free, non-continuously recurring movement without tensile load

The TPE version has an oil-resistant outer sheath. It is suitable for wet areas, in particular in conjunction with water-soluble cooling lubricants.

Last Update (18.04.2021)

©2021 Lapp Group - Technical changes reserved

Product Management [www.lappkabel.de](http://www.lappkabel.de)

You can find the current technical data in the corresponding data sheet.

PN 0456 / 02\_03.16

## UNITRONIC® BUS ASI

### Product features

Data and power are transmitted via an unscreened, geometrically coded two-core flat cable (protection against polarity reversal).

The conductor is contacted by "piercing technology" within the ASI modules.

The sensors are connected to the ASI modules (coupling modules) using round cables (connection cables).

### Norm references / Approvals

ASI is standardised Europe-wide in EN 50295 and internationally in IEC 62026-2.

PVC A version with UL/CSA (CMX) certification

UL/CSA version: CMG c(UL)us or (UL)CL2 or AWM 300V FT4 certified

### Product Make-up

Conductor: fine-wire tinned-copper strands

Core insulation: blue and brown

Outer sheath:

rubber (G), halogenfree

thermoplastic elastomers (TPE)

PVC

Outer sheath: yellow (RAL 1023), black (RAL 9005), red (RAL 3000)

### Technical Data

Classification ETIM 5:	ETIM 5.0 Class-ID: EC000830 ETIM 5.0 Class-Description: Data cable
Classification ETIM 6:	ETIM 6.0 Class-ID: EC000830 ETIM 6.0 Class-Description: Data cable
Peak operating voltage:	Yellow: 300 V (not for power applications) Black: 300 V (not for power applications) Red: 300 V
Conductor resistance:	1.5 mm <sup>2</sup> : max. 13.7 Ohm/km 2.5 mm <sup>2</sup> : max. 8.21 Ohm/km
Minimum bending radius:	Fixed installation: 12 mm Flexible use 24 mm
Test voltage:	Core/core: 2000 V
Temperature range:	Dependent on outer sheath material: PVC: -30 °C to +90 °C Other materials: -40 °C to +85 °C During installation: PVC -20 °C to +90 °C Other materials: -30 °C to +85 °C

### Note

Unless specified otherwise, the shown product values are nominal values. Detailed values (e.g. tolerances) are available upon request.

Copper price basis: EUR 150/100 kg. Refer to catalogue appendix T17 for the definition and calculation of copper-related surcharges.

Please find our standard lengths at: [www.lappkabel.de/en/cable-standardlengths](http://www.lappkabel.de/en/cable-standardlengths)

Lapp Kabel is a member of the AS-International Association

Photographs and graphics are not to scale and do not represent detailed images of the respective products.

Prices are net prices without VAT and surcharges. Sale to business customers only.

Last Update (18.04.2021)

©2021 Lapp Group - Technical changes reserved

Product Management [www.lappkabel.de](http://www.lappkabel.de)

You can find the current technical data in the corresponding data sheet.

PN 0456 / 02\_03.16

**UNITRONIC® BUS ASI**

Article number	Article designation	Outer sheath colour	Application	Number of cores and mm <sup>2</sup> per conductor	Copper index (kg/km)	Weight (kg/km)
Gummi/EPDM						
2170228	UNITRONIC® BUS ASI (G)	yellow	Data and power transmission	2 x 1.5	29	85
2170229	UNITRONIC® BUS ASI (G)	black	Transmission of 30 V DC auxiliary power	2 x 1.5	29	85
2170371	UNITRONIC® BUS ASI LD (G)	yellow	Data and power transmission	2 x 2.5	48	85
2170372	UNITRONIC® BUS ASI LD (G)	black	Transmission of 30 V DC auxiliary power	2 x 2.5	48	85
TPE						
2170230	UNITRONIC® BUS ASI (TPE)	yellow	Data and power transmission	2 x 1.5	29	64
2170231	UNITRONIC® BUS ASI (TPE)	black	Transmission of 30 V DC auxiliary power	2 x 1.5	29	64
2170232	UNITRONIC® BUS ASI (TPE)	red	Transmission of 230 V AC auxiliary power	2 x 1.5	29	64
PVC UL/CSA						
2170842	UNITRONIC® BUS ASI (PVC) A	yellow	Data and power transmission	2 x 1.5	29	70
2170843	UNITRONIC® BUS ASI (PVC) A	black	Transmission of 30 V DC auxiliary power	2 x 1.5	29	70
2170844	UNITRONIC® BUS ASI (PVC) A	red	Transmission of 230 V AC auxiliary power	2 x 1.5	29	70

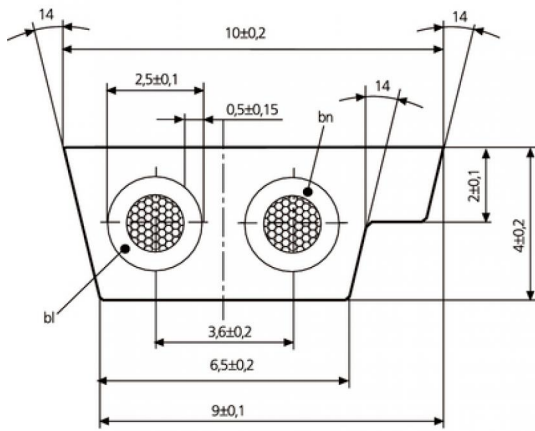
Last Update (18.04.2021)

©2021 Lapp Group - Technical changes reserved

Product Management www.lappkabel.de

 You can find the current technical data in the corresponding data sheet.  
 PN 0456 / 02\_03\_16

**UNITRONIC® BUS ASI**



Last Update (18.04.2021)

©2021 Lapp Group - Technical changes reserved

Product Management [www.lappkabel.de](http://www.lappkabel.de)

You can find the current technical data in the corresponding data sheet.

PN 0456 / 02\_03.16