

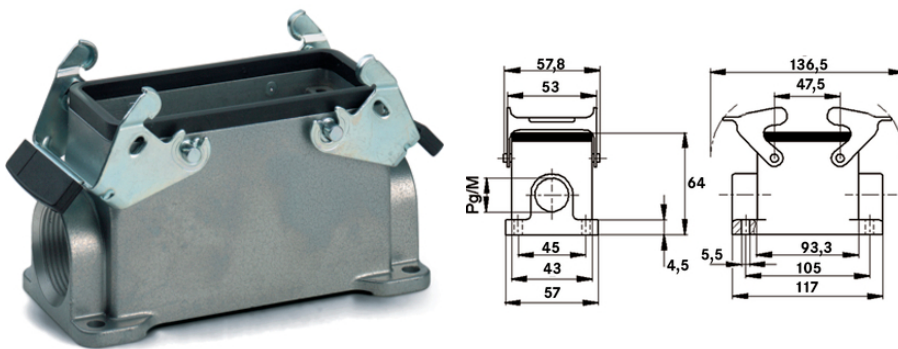
## EPIC® H-B 16 SGRL






Housing design H-B. The industry standard.

The metal housing for rectangular connectors can be used, for example, in investment construction. The housing has 2 double levers and 2 cable entries.

### Info

Double lever version with 2 levers for increased safety  
 For easy introduction of two cables  
 Protection rating UL50E tested



-  Supplementary automation components from Lapp
-  Mechanical and plant engineering
-  Mechanical resistance
-  Robust
-  Waterproof

### Benefits

The housing standard. Wide choice for all applications

### Application range

Plant engineering  
 Light & sound technology  
 Plastics industry

## EPIC® H-B 16 SGRL

### Product features

Surface-mount base, low version  
Dual levers  
2 cable entries

### Technical Data

Classification ETIM 5:	ETIM 5.0 Class-ID: EC000437 ETIM 5.0 Class-Description: Housing for industrial connectors
Classification ETIM 6:	ETIM 6.0 Class-ID: EC000437 ETIM 6.0 Class-Description: Housing for industrial connectors
Material:	Housing: powder-coated aluminium alloy, grey Lever: zinc-plated steel Sealing: NBR
Protection rating:	IP 65 (latched) NEMA 250, UL50E: 12, 4 (latched)
VDE-tested:	Certified production control: VDE-REG. no.: B437 UL-tested: UL File Number: E75770
Temperature range:	-40°C to +100°C, short-term up to +125°C

### Note

Photographs and graphics are not to scale and do not represent detailed images of the respective products.  
Prices are net prices without VAT and surcharges. Sale to business customers only.

**EPIC® H-B 16 SGRL**

Article number	Article description	M	PG	Pieces / PU
H-B housing: surface-mount base (2 cable entries, double lever)				
10075000	H-B 16 SGRL 21	-	21	5
19075000	H-B 16 SGRL M25	25	-	5

Last Update (07.10.2021)

©2021 Lapp Group - Technical changes reserved

Product Management [www.lappkabel.de](http://www.lappkabel.de)

You can find the current technical data in the corresponding data sheet.

PN 0456 / 02\_03.16