



Release pushbutton, without button plate, Bezel: black

Part no. **M22S-DZ-X**  
 Catalog No. **259522**  
 Alternate Catalog No. **M22S-DZ-XQ**

### Delivery program

Accessories			General accessories
Product range			Accessories
Basic function accessories			Reset buttons
Accessories			Pushbuttons
Function			For enclosed overload relays
			For enclosed overload relays Mounting diameter: 22.3 mm
Description			Mounting diameter: 22.3 mm
Button plate			Without button plate, add button plate.
Front ring			Bezel: black
Connection to SmartWire-DT			no
For use with			ZW7... ZE Z5 ZB12 ZB32 ZB65 ZB150

### Technical data

#### General

Ambient temperature			
Open		°C	-25 - +70

### Design verification as per IEC/EN 61439

Technical data for design verification			
Operating ambient temperature min.		°C	-25
Operating ambient temperature max.		°C	70

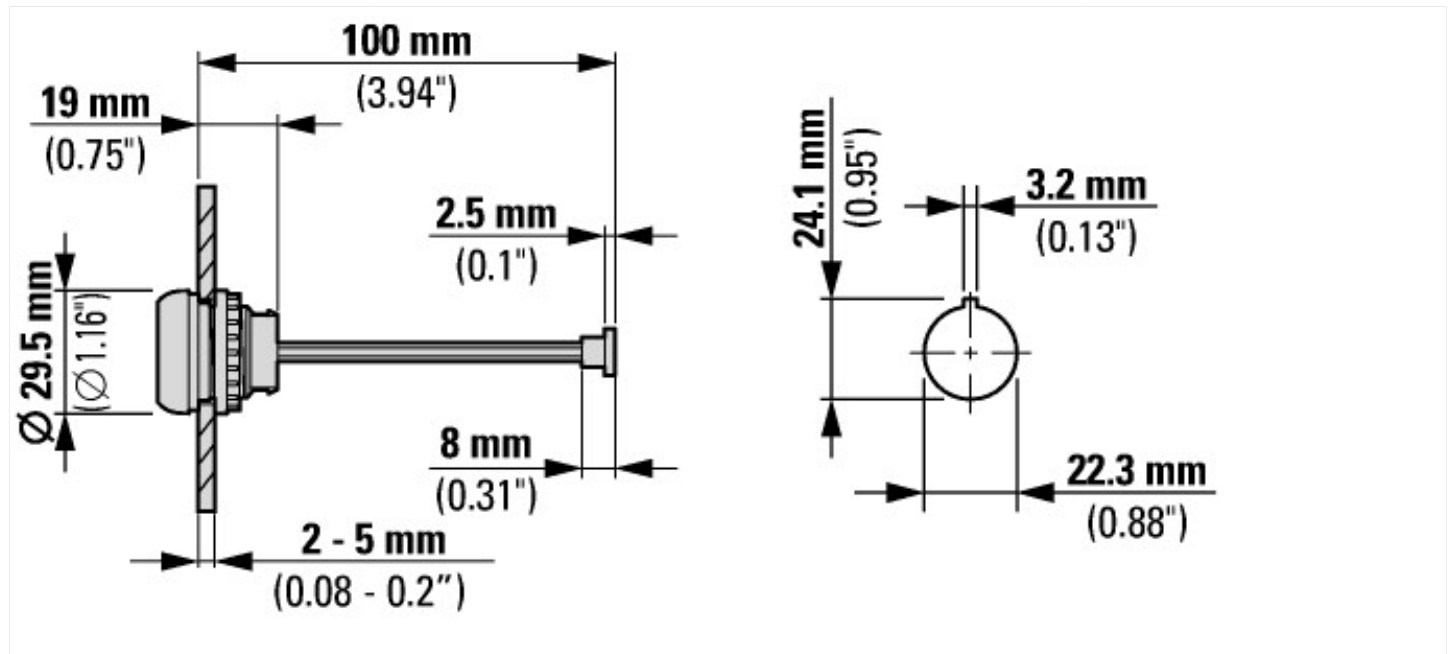
### Technical data ETIM 8.0

Low-voltage industrial components (EG000017) / Front element for push button (EC000221)			
Electric engineering, automation, process control engineering / Low-voltage switch technology / Command and alarm device / Front element for push-button actuators (ecl@ss10.0.1-27-37-12-10 [AKF028014])			
Colour button			Without button plate
Number of command positions			1
Construction type lens			Round
Hole diameter		mm	22
Width opening		mm	0
Height opening		mm	0
Type of button			Flat
Suitable for illumination			No
With protective cover			No
Labelled			No
Switching function latching			No
Spring-return			Yes
With front ring			Yes
Material front ring			Plastic
Colour front ring			Black
Degree of protection (IP), front side			IP67
Degree of protection (NEMA), front side			4X

## Approvals

Product Standards		UL 508; CSA-C22.2 No. 14; IEC/EN 60947; CE marking
UL File No.		E29184
UL Category Control No.		NKCR
CSA File No.		012528
CSA Class No.		3211-03
North America Certification		UL listed, CSA certified
Specially designed for North America		No

## Dimensions



## Additional product information (links)

IL04716002Z (AWA1160-1745) RMQ-Titan system

IL04716002Z (AWA1160-1745) RMQ-Titan system

[https://es-assets.eaton.com/DOCUMENTATION/AWA\\_INSTRUCTIONS/IL04716002Z2021\\_07.pdf](https://es-assets.eaton.com/DOCUMENTATION/AWA_INSTRUCTIONS/IL04716002Z2021_07.pdf)