



Round conductor outgoer, 1-fold, 2.5-4qmm

Part no. RA-C2-S1-4
 Catalog No. 257830
 Alternate Catalog No. RA-C2-S1-4

Delivery program

Product range			Power supply at round cable RA-C2
Subrange			Round cable junction
Basic function			Connection socket for power connection cable
Description			for 7 x 2.5/4 mm ² , 400 V AC and 24 V DC, termination with insulation piercing technology, cable fixing with metal screws, pre-wired socket insert, suitable for cable outer diameters 10 - 13 mm.
Information about equipment supplied			Equipment supplied: 1 pairs of gaskets for these cable diameters, 1 lock mechanism.
For use with			
For use with			RA-C3/C2-1,5HF

Technical data

General

Standards			EN 61684 EN 60664-1 DESINA
Degree of Protection			IP65 IEC/EN 60529
Ambient temperature			
Operation	θ	°C	-30 - +50
Storage	θ	°C	-40 - +70
Mounting position			As required
Outer dimensions L x W x H		mm	158 x 112.5 x 55
Termination			Piercing/screw terminals

Main circuit

Rated operational voltage	U _e		400 V AC 690 V AC
Rated operational current	I _e	A	25 (4 mm ²)
Line protection		Type	PKE32/XTU-32 PKZM0-25 FAZ-C25/3

Control circuit

Rated operational voltage	U _e	V	24 V DC
Rated operational current	I _e	A	10

Plug connector

Material			
Housing			Polycarbonate
Lock mechanism			Polyamide

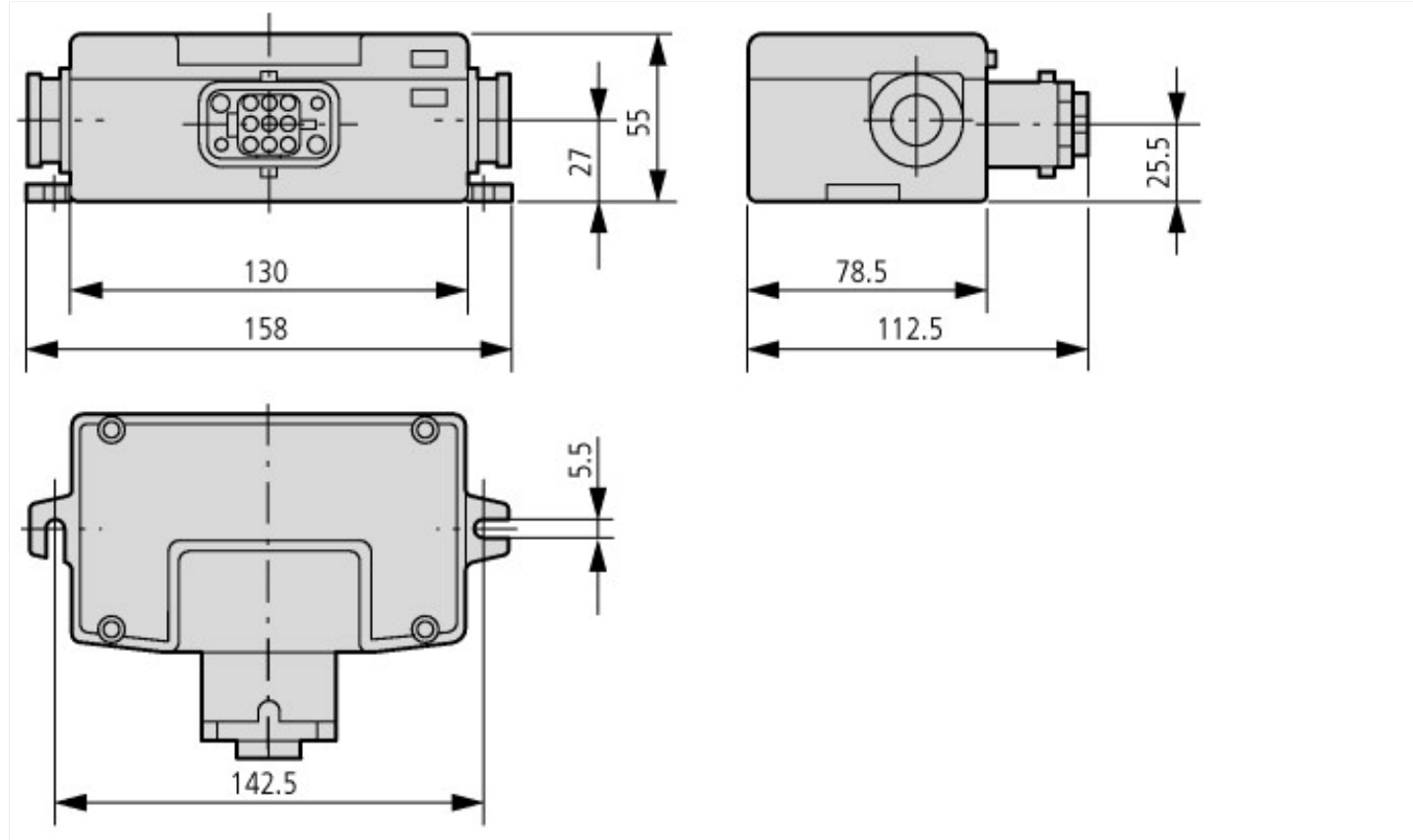
Design verification as per IEC/EN 61439

Technical data for design verification			
Operating ambient temperature min.		°C	-30
Operating ambient temperature max.		°C	50

Technical data ETIM 7.0

Low-voltage industrial components (EG000017) / Accessories for low-voltage switch technology (EC002498)			
Electric engineering, automation, process control engineering / Low-voltage switch technology / Component for low-voltage switching technology / Component for low-voltage switch technology (accessories) (ecl@ss10.0.1-27-37-13-92 [AKN570013])			
Type of accessory			Other

Dimensions



Round cable junction

RA-C2-S1-4

Additional product information (links)

IL03406020Z Rapid Link: Speed Control Unit

IL03406020Z Rapid Link: Speed Control Unit https://es-assets.eaton.com/DOCUMENTATION/AWA_INSTRUCTIONS/IL03406020Z2018_05.pdf

MN03406003Z Rapid Link 4.0

MN03406003Z Rapid Link 4.0 - Deutsch https://es-assets.eaton.com/DOCUMENTATION/AWB_MANUALS/MN03406003Z_DE.pdf

MN03406003Z Rapid Link 4.0 - English https://es-assets.eaton.com/DOCUMENTATION/AWB_MANUALS/MN03406003Z_EN.pdf

MN03406003Z Rapid Link 4.0 - français https://es-assets.eaton.com/DOCUMENTATION/AWB_MANUALS/MN03406003Z_FR.pdf

CA04020001Z-EN Product Range Catalog: Efficient Engineering for Starting and Controlling Motors http://www.eaton.eu/DE/ecm/groups/public/@pub/@europe/@electrical/documents/content/pct_1095238.pdf