



**Reversing starter, 24 V DC, 0,18 - 3 A, Push in terminals, SmartWire-DT slave, Controlled stop, PTB 19 ATEX 3000**



**Part no.** EMS2-ROS-T-3-SWD  
**Catalog No.** 192386  
**Alternate Catalog No.** EMS2-ROS-T-3-SWD


## Delivery program

Product range			Electronic motor starter
Product range			SmartWire-DT slave
Subrange			SmartWire-DT electronic motor starters
Basic function			Reversing starters (complete devices)
Function			For connecting to SmartWire-DT for expanded diagnostics
Description			DOL starting Reversing start Motor protection Circuit design: safety output stage with bypass, three-phase disconnect. Controlled stop via additional enable signal terminal up to SIL3/Plc.
Messages			Operational readiness Operating direction feedback Enable signal Motor current in % Motor current in A Thermal motor image in % Overload prewarning Trip indications (overload, phase failure, etc.) Set short-circuit release value Device Type
Commands			Operating the motor starter Manual reset Automatic reset

## Conformity, Approval

Explosion protection (according to ATEX 94/9/EC)			II (2) G [Ex db] [Ex eb] [Ex pxb] II (2) D [Ex tb] [Ex pb]
EC-prototype test certification			PTB 19 ATEX 3000

## Motor ratings

Max. rating for three-phase motors, 50 - 60 Hz			
AC-53a			
380 V 400 V 415 V	P	kW	0.06 - 1.1
Setting range of overload releases	$I_r$	A <sub>x</sub>	0,18 - 3
			
Actuating voltage			24 V DC
Connection technique			Push in terminals
Stop Function			Controlled stop
Connection to SmartWire-DT			yes

## Technical data

### General

Standards			IEC/EN 60947-4-2 IEC 61508 ISO 13849 UL508
Ambient temperature			
Storage		°C	
Min. ambient temperature, storage		°C	- 40
Ambient temperature, storage max.		°C	+ 80
Open		°C	
Operating ambient temperature min.		°C	-5

Operating ambient temperature max.	°C	+ 55
Weight	kg	0.22
Mounting		Top-hat rail IEC/EN 60715, 35 mm
Protection type (IEC/EN 60529, EN50178, VBG 4)		IP20
Mounting position		Vertical Motor feeder at bottom
Terminal capacity		
Push-in terminals		
	mm <sup>2</sup>	0.2 - 2.5
	AWG	24 - 14

### Main conducting paths

Rated operational voltage	U <sub>e</sub>	V AC	500
Operational voltage range		V	
Operating voltage range min.		V	42
Operating voltage range max.		V	550
Rated operational current			
AC-51	I <sub>e</sub>	A	3
AC-53a	I <sub>e</sub>	A	3
			AC-53a: Please note possible derating.
Setting range of overload releases	I <sub>r</sub>	A <sub>x</sub>	0,18 - 3
Release class		CLASS	10
Heat dissipation	P <sub>V</sub>	W	0.1 - 2.5

### Control section

Rated control voltage	U <sub>s</sub>	V DC	24
Control voltage range		V	19,2 - 30 V DC
Residual ripple on the input voltage		%	≤ 5
Rated control current	I <sub>s</sub>	mA	60
Current draw inrush		mA	120
Actuating circuit (ON, L, R)			
Rated actuation voltage	U <sub>c</sub>	V	24
Switching level "Low"		V	-3 - +9.6 V DC
Switching level "confirm Off"		V	< 5 V DC
Switching level "High"		V	19.2 - 30 V DC
Rated actuating current	I <sub>c</sub>	mA	7

### Electromagnetic compatibility (EMC)

Radio interference suppression		EN 55011 EN 61000-6-3, Class A (emitted interference, radiated)
--------------------------------	--	--

### Technical safety parameters:

<b>Notes</b>		Safe switch off. motor protection
Ambient temperature	°C	60
Values according to EN ISO 13849-1		
MTTF <sub>d</sub>	Years	60 (Sicheres Abschalten) / 82 (Motorschutz)
Performance level	PL	e (Sicheres Abschalten)
Category		3 (Sicheres Abschalten)
Values according to IEC 62061		
		Abschaltzeit [ms]: 200 (Sicheres Abschalten) / Class 10 (Motorschutz) λ <sub>sd</sub> [FIT]: 0 λ <sub>su</sub> [FIT]: 3481 (Sicheres Abschalten) / 2538 (Motorschutz) λ <sub>dd</sub> [FIT]: 1887 (Sicheres Abschalten) / 1375 (Motorschutz) λ <sub>du</sub> [FIT]: 0,3 (Sicheres Abschalten) / 23 (Motorschutz) SFF [%]: 99 DC [%]: 99 (Sicheres Abschalten) / 98 (Motorschutz) PFH <sub>d</sub> [FIT]: 0,3 (Sicheres Abschalten) SIL 3 (Sicheres Abschalten) / SIL 2 (Motorschutz)

### Design verification as per IEC/EN 61439

Technical data for design verification			
Rated operational current for specified heat dissipation	I <sub>n</sub>	A	3

Heat dissipation per pole, current-dependent	P <sub>vid</sub>	W	0
Equipment heat dissipation, current-dependent	P <sub>vid</sub>	W	2.5
Static heat dissipation, non-current-dependent	P <sub>vs</sub>	W	2
Heat dissipation capacity	P <sub>diss</sub>	W	0
Operating ambient temperature min.		°C	-5
Operating ambient temperature max.		°C	55
			If necessary, Allow for derating
IEC/EN 61439 design verification			
10.2 Strength of materials and parts			
10.2.2 Corrosion resistance			
			Meets the product standard's requirements.
10.2.3.1 Verification of thermal stability of enclosures			
			Meets the product standard's requirements.
10.2.3.2 Verification of resistance of insulating materials to normal heat			
			Meets the product standard's requirements.
10.2.3.3 Verification of resistance of insulating materials to abnormal heat and fire due to internal electric effects			
			Meets the product standard's requirements.
10.2.4 Resistance to ultra-violet (UV) radiation			
			Meets the product standard's requirements.
10.2.5 Lifting			
			Does not apply, since the entire switchgear needs to be evaluated.
10.2.6 Mechanical impact			
			Does not apply, since the entire switchgear needs to be evaluated.
10.2.7 Inscriptions			
			Meets the product standard's requirements.
10.3 Degree of protection of ASSEMBLIES			
			Does not apply, since the entire switchgear needs to be evaluated.
10.4 Clearances and creepage distances			
			Meets the product standard's requirements.
10.5 Protection against electric shock			
			Does not apply, since the entire switchgear needs to be evaluated.
10.6 Incorporation of switching devices and components			
			Does not apply, since the entire switchgear needs to be evaluated.
10.7 Internal electrical circuits and connections			
			Is the panel builder's responsibility.
10.8 Connections for external conductors			
			Is the panel builder's responsibility.
10.9 Insulation properties			
10.9.2 Power-frequency electric strength			
			Is the panel builder's responsibility.
10.9.3 Impulse withstand voltage			
			Is the panel builder's responsibility.
10.9.4 Testing of enclosures made of insulating material			
			Is the panel builder's responsibility.
10.10 Temperature rise			
			The panel builder is responsible for the temperature rise calculation. Eaton will provide heat dissipation data for the devices.
10.11 Short-circuit rating			
			Is the panel builder's responsibility. The specifications for the switchgear must be observed.
10.12 Electromagnetic compatibility			
			Is the panel builder's responsibility. The specifications for the switchgear must be observed.
10.13 Mechanical function			
			The device meets the requirements, provided the information in the instruction leaflet (IL) is observed.

## Technical data ETIM 7.0

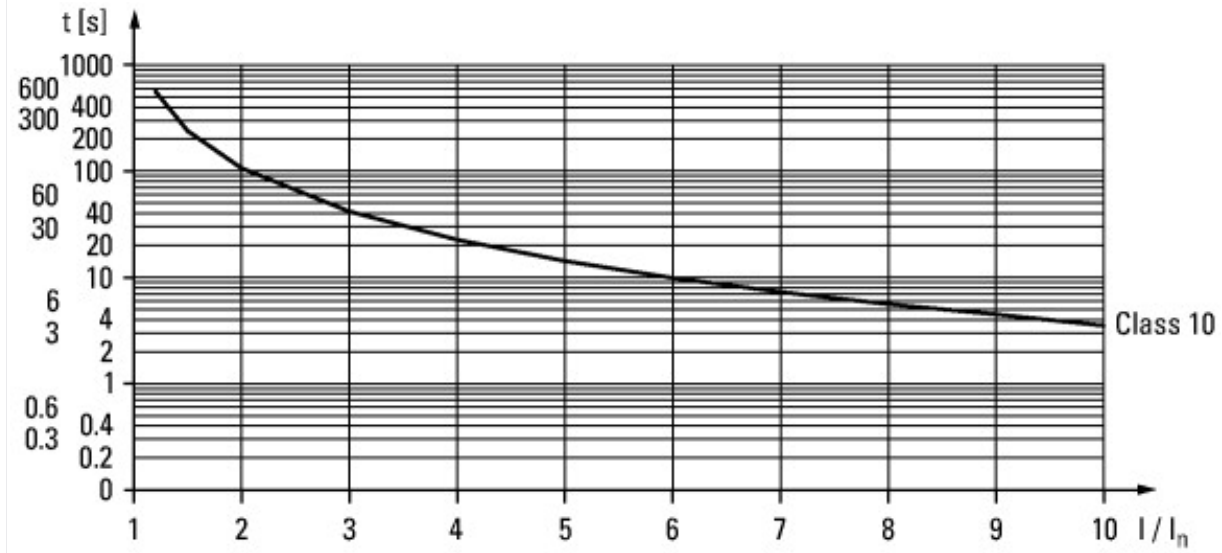
Low-voltage industrial components (EG000017) / Motor starter/Motor starter combination (EC001037)			
Electric engineering, automation, process control engineering / Low-voltage switch technology / Load breakout, motor breakout / Motor starter combination (ecl@ss10.0.1-27-37-09-05 [AJZ718013])			
Kind of motor starter			Reversing starter
With short-circuit release			No
Rated control supply voltage U <sub>s</sub> at AC 50HZ		V	0 - 0
Rated control supply voltage U <sub>s</sub> at AC 60HZ		V	0 - 0
Rated control supply voltage U <sub>s</sub> at DC		V	24 - 24
Voltage type for actuating			DC
Rated operation power at AC-3, 230 V, 3-phase		kW	0.55
Rated operation power at AC-3, 400 V		kW	1.1
Rated power, 460 V, 60 Hz, 3-phase		kW	0
Rated power, 575 V, 60 Hz, 3-phase		kW	0
Rated operation current I <sub>e</sub>		A	3
Rated operation current at AC-3, 400 V		A	3
Overload release current setting		A	0.18 - 3
Rated conditional short-circuit current, type 1, 480 Y/277 V		A	0
Rated conditional short-circuit current, type 1, 600 Y/347 V		A	0
Rated conditional short-circuit current, type 2, 230 V		A	0

Rated conditional short-circuit current, type 2, 400 V	A	0
Number of auxiliary contacts as normally open contact		0
Number of auxiliary contacts as normally closed contact		0
Ambient temperature, upper operating limit	°C	60
Temperature compensated overload protection		Yes
Release class		CLASS 10
Type of electrical connection of main circuit		Spring clamp connection
Type of electrical connection for auxiliary- and control current circuit		Spring clamp connection
Rail mounting possible		Yes
With transformer		
Number of command positions		
Suitable for emergency stop		
Coordination class according to IEC 60947-4-3		
Number of indicator lights		
External reset possible		
With fuse		
Degree of protection (IP)		IP20
Degree of protection (NEMA)		
Supporting protocol for TCP/IP		No
Supporting protocol for PROFIBUS		No
Supporting protocol for CAN		No
Supporting protocol for INTERBUS		No
Supporting protocol for ASI		No
Supporting protocol for MODBUS		No
Supporting protocol for Data-Highway		No
Supporting protocol for DeviceNet		No
Supporting protocol for SUCONET		No
Supporting protocol for LON		No
Supporting protocol for PROFINET IO		No
Supporting protocol for PROFINET CBA		No
Supporting protocol for SERCOS		No
Supporting protocol for Foundation Fieldbus		No
Supporting protocol for EtherNet/IP		No
Supporting protocol for AS-Interface Safety at Work		No
Supporting protocol for DeviceNet Safety		No
Supporting protocol for INTERBUS-Safety		No
Supporting protocol for PROFIsafe		No
Supporting protocol for SafetyBUS p		No
Supporting protocol for other bus systems		Yes
Width	mm	
Height	mm	
Depth	mm	

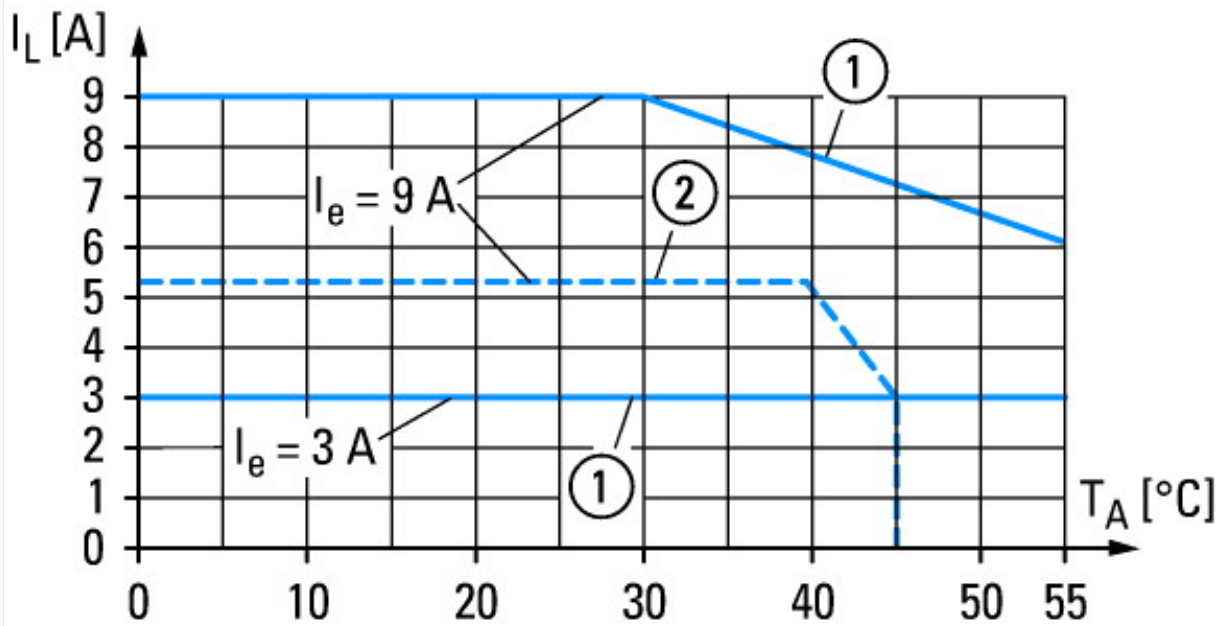
## Approvals

Product Standards		UL 60947-4-1; CSA C22.2 No. 60947-4-1-14; CE marking
UL File No.		E338590
UL Category Control No.		NLDX, NLDX7
CSA File No.		UL report applies to both US and Canada
North America Certification		UL listed, certified by UL for use in Canada
Specially designed for North America		No

## Characteristics



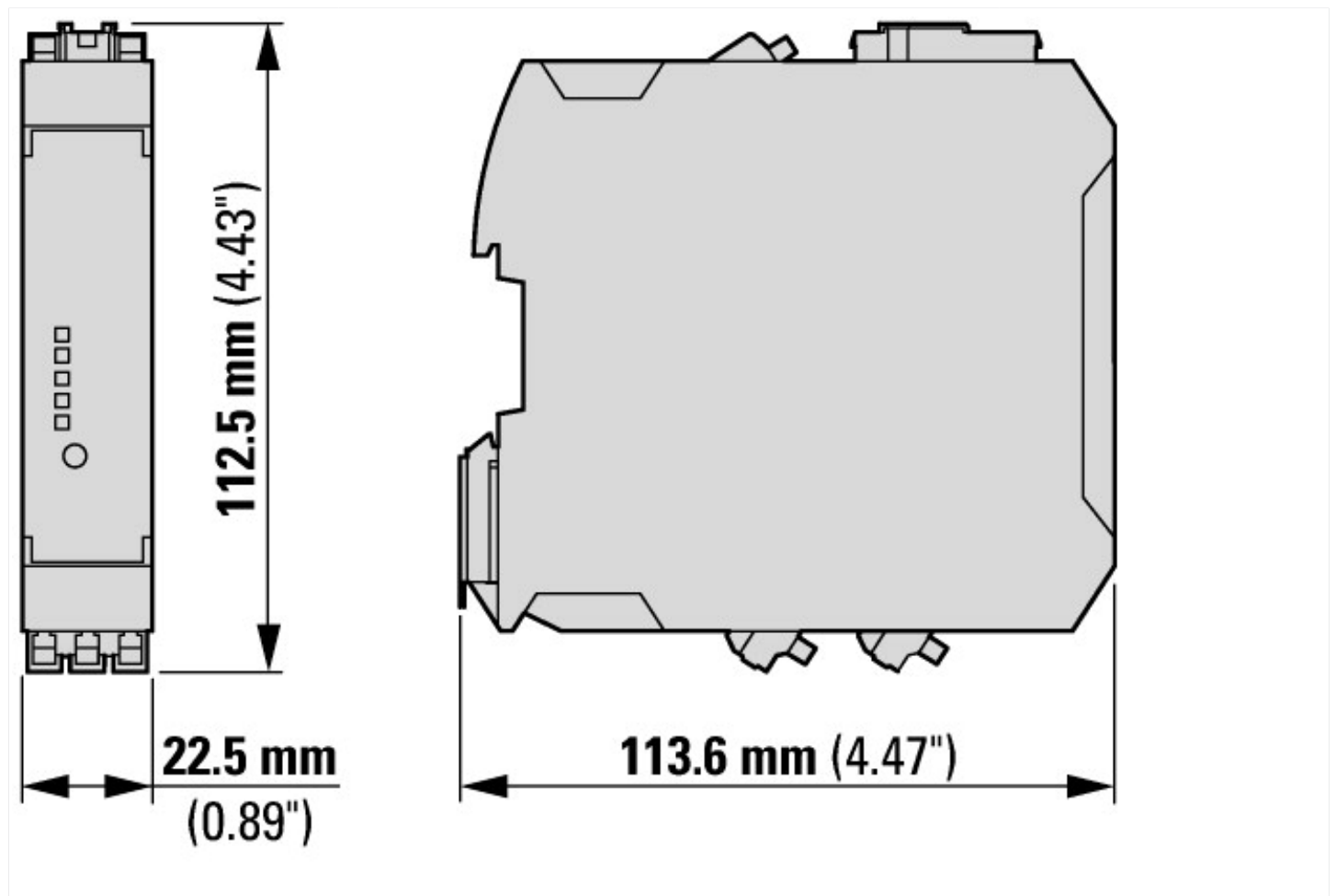
Tripping characteristic curve  
CLASS 10



### Current derating

- ① For devices installed with a minimum clearance of 20 mm
- ② For devices in direct sequence

## Dimensions



## Additional product information (links)

### IL120010ZU Electronic motor starter EMS2 with SWD - Safety

IL120010ZU Electronic motor starter EMS2 with SWD - Safety [ftp://ftp.moeller.net/DOCUMENTATION/AWA\\_INSTRUCTIONS/IL120010ZU2019\\_11.pdf](ftp://ftp.moeller.net/DOCUMENTATION/AWA_INSTRUCTIONS/IL120010ZU2019_11.pdf)

### MN120008 EMS2-...-SWD Electronic Motorstarter with SWD

MN120008 EMS2-...-SWD Elektronischer Motorstarter mit SWD - Deutsch [ftp://ftp.moeller.net/DOCUMENTATION/AWB\\_MANUALS/MN120008DE.pdf](ftp://ftp.moeller.net/DOCUMENTATION/AWB_MANUALS/MN120008DE.pdf)

MN120008 EMS2-...-SWD Electronic Motorstarter with SWD - English [ftp://ftp.moeller.net/DOCUMENTATION/AWB\\_MANUALS/MN120008EN.pdf](ftp://ftp.moeller.net/DOCUMENTATION/AWB_MANUALS/MN120008EN.pdf)