


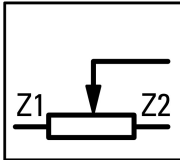


Potentiometer, flat front, M30, 30.5 mm, Without scale/inscription, R 470 kΩ, P 0.5 W, Metal bezel



Part no. **M30C-FR470K-BLANK**
 Catalog No. **187045**
 Alternate Catalog No. **M30C-FR470K-BLANK**

Delivery program

| | | | |
|----------------------------------------------------------------------------------|---|----|-----------------------------------------------------------------------------------------------------------|
| RMQ design | | | flat front |
|  | | | |
| Part group reference (e.g. DIL) | | | M30 |
| Mounting hole diameter | ∅ | mm | 30.5 |
| Basic function | | | Potentiometer |
| Single unit/Complete unit | | | Single unit |
| Description | | | 3 individual screw terminals Accuracy of resistance value: ± 10% (linear) Without scale/inscription |
| Contact sequence | | |  |
| Impedance | R | kΩ | 470 |
| Rated power | P | W | 0.5 |
| Degree of Protection | | | IP66 |
| Front ring | | | Metal bezel |
| Connection to SmartWire-DT | | | no |

Technical data

General

| | | | |
|--------------------------------------|------------|-----------------|--------------------------------------------------------------------------------|
| Standards | | | IEC/EN 60947 VDE 0660 |
| Lifespan, mechanical | Operations | | 25000 |
| Climatic proofing | | | Damp heat, constant, to IEC 60068-2-78 Damp heat, cyclic, to IEC 60068-2-30 |
| Degree of Protection | | | IP66 |
| Ambient temperature | | | |
| Open | | °C | -25 - +70 |
| Mounting position | | | As required |
| Mechanical shock resistance | | g | not planned |
| Terminal capacities | | mm ² | |
| Solid | | mm ² | 0.5 - 1.5 |
| Stranded | | mm ² | 0.5 - 1.5 |
| Tightening torque for terminal screw | | Nm | 0.5 |
| shipping classification | | | DNV GL |



Contacts

| | | | |
|---------------------------------------|-----------|------|-------|
| Rated impulse withstand voltage | U_{imp} | V AC | 4000 |
| Rated insulation voltage | U_i | V | 250 |
| Overvoltage category/pollution degree | | | III/3 |

Design verification as per IEC/EN 61439

| Technical data for design verification | | | |
|------------------------------------------------------------------------------------------------------------------------|------------|----|----------------------------------------------------------------------------------------------------------------------------------|
| Rated operational current for specified heat dissipation | I_n | A | 0 |
| Heat dissipation per pole, current-dependent | P_{vid} | W | 0 |
| Equipment heat dissipation, current-dependent | P_{vid} | W | 0 |
| Static heat dissipation, non-current-dependent | P_{vs} | W | 0.5 |
| Heat dissipation capacity | P_{diss} | W | 0 |
| Operating ambient temperature min. | | °C | -25 |
| Operating ambient temperature max. | | °C | 70 |
| IEC/EN 61439 design verification | | | |
| 10.2 Strength of materials and parts | | | |
| 10.2.2 Corrosion resistance | | | Meets the product standard's requirements. |
| 10.2.3.1 Verification of thermal stability of enclosures | | | Meets the product standard's requirements. |
| 10.2.3.2 Verification of resistance of insulating materials to normal heat | | | Meets the product standard's requirements. |
| 10.2.3.3 Verification of resistance of insulating materials to abnormal heat and fire due to internal electric effects | | | Meets the product standard's requirements. |
| 10.2.4 Resistance to ultra-violet (UV) radiation | | | Please enquire |
| 10.2.5 Lifting | | | Does not apply, since the entire switchgear needs to be evaluated. |
| 10.2.6 Mechanical impact | | | Does not apply, since the entire switchgear needs to be evaluated. |
| 10.2.7 Inscriptions | | | Meets the product standard's requirements. |
| 10.3 Degree of protection of ASSEMBLIES | | | Does not apply, since the entire switchgear needs to be evaluated. |
| 10.4 Clearances and creepage distances | | | Meets the product standard's requirements. |
| 10.5 Protection against electric shock | | | Does not apply, since the entire switchgear needs to be evaluated. |
| 10.6 Incorporation of switching devices and components | | | Does not apply, since the entire switchgear needs to be evaluated. |
| 10.7 Internal electrical circuits and connections | | | Is the panel builder's responsibility. |
| 10.8 Connections for external conductors | | | Is the panel builder's responsibility. |
| 10.9 Insulation properties | | | |
| 10.9.2 Power-frequency electric strength | | | Is the panel builder's responsibility. |
| 10.9.3 Impulse withstand voltage | | | Is the panel builder's responsibility. |
| 10.9.4 Testing of enclosures made of insulating material | | | Is the panel builder's responsibility. |
| 10.10 Temperature rise | | | The panel builder is responsible for the temperature rise calculation. Eaton will provide heat dissipation data for the devices. |
| 10.11 Short-circuit rating | | | Is the panel builder's responsibility. The specifications for the switchgear must be observed. |
| 10.12 Electromagnetic compatibility | | | Is the panel builder's responsibility. The specifications for the switchgear must be observed. |
| 10.13 Mechanical function | | | The device meets the requirements, provided the information in the instruction leaflet (IL) is observed. |

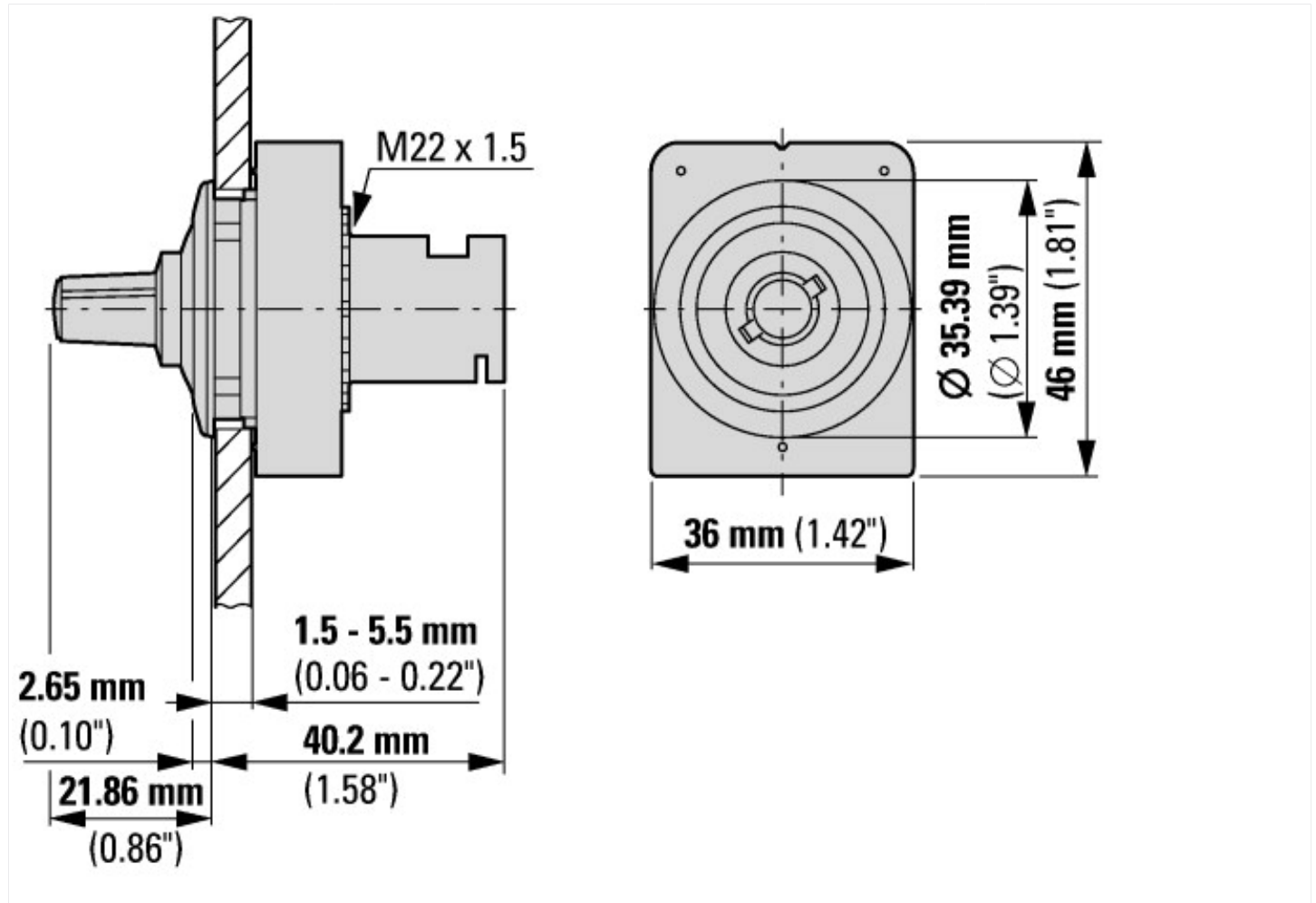
Technical data ETIM 7.0

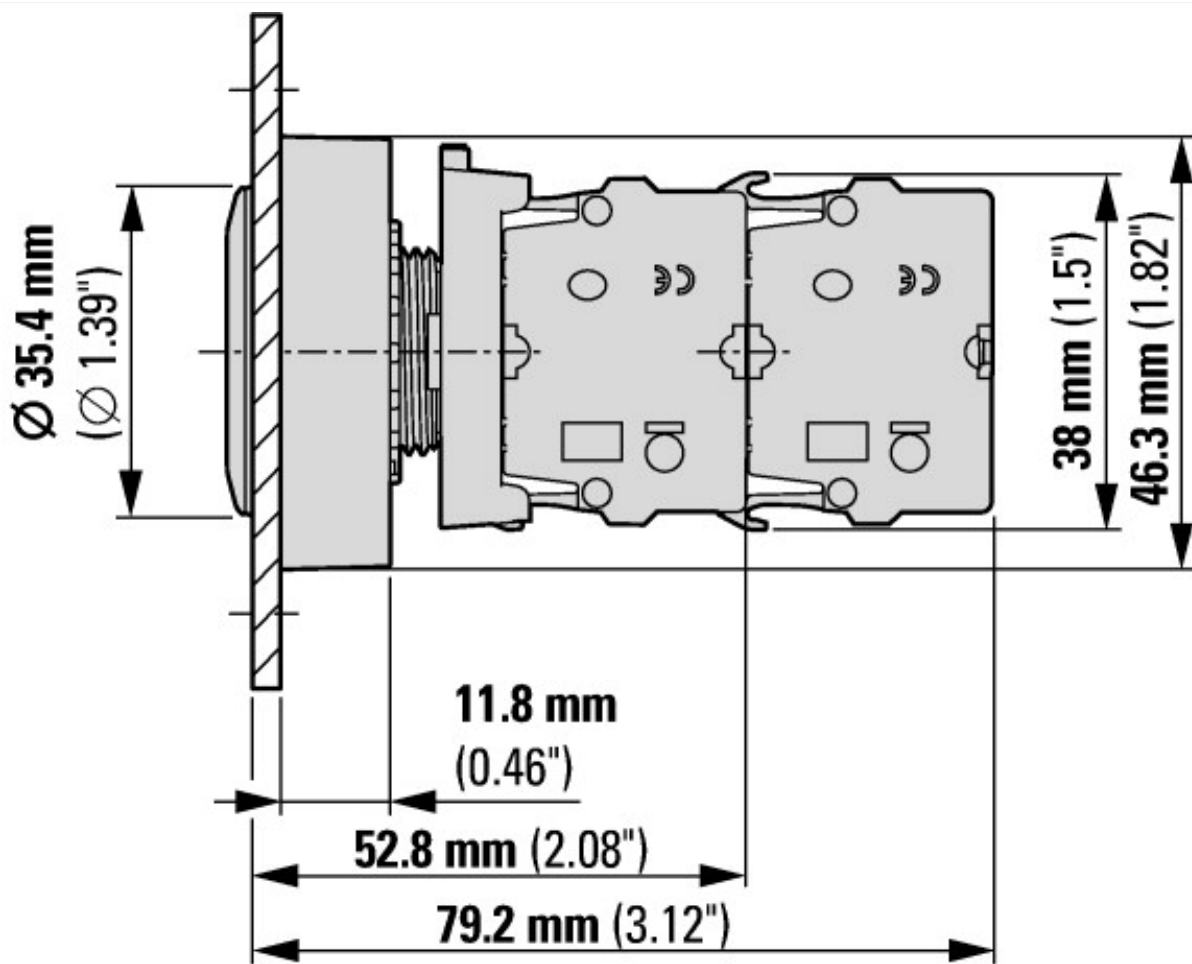
| Low-voltage industrial components (EG000017) / Potentiometer for control circuit devices (EC001027) | | | |
|-----------------------------------------------------------------------------------------------------------------------------------------------------------------------------------------------------|--|-----|------------------|
| Electric engineering, automation, process control engineering / Low-voltage switch technology / Command and alarm device / Potentiometer for command devices (ecl@ss10.0.1-27-37-12-27 [AKF045014]) | | | |
| Resistance | | Ohm | 470000 |
| Power consumption | | W | 0.5 |
| Hole diameter | | mm | 30 |
| Number of revolutions | | | 1 - 1 |
| Type of electric connection | | | Screw connection |
| Degree of protection (IP) | | | IP66 |
| Degree of protection (NEMA) | | | Other |

Approvals

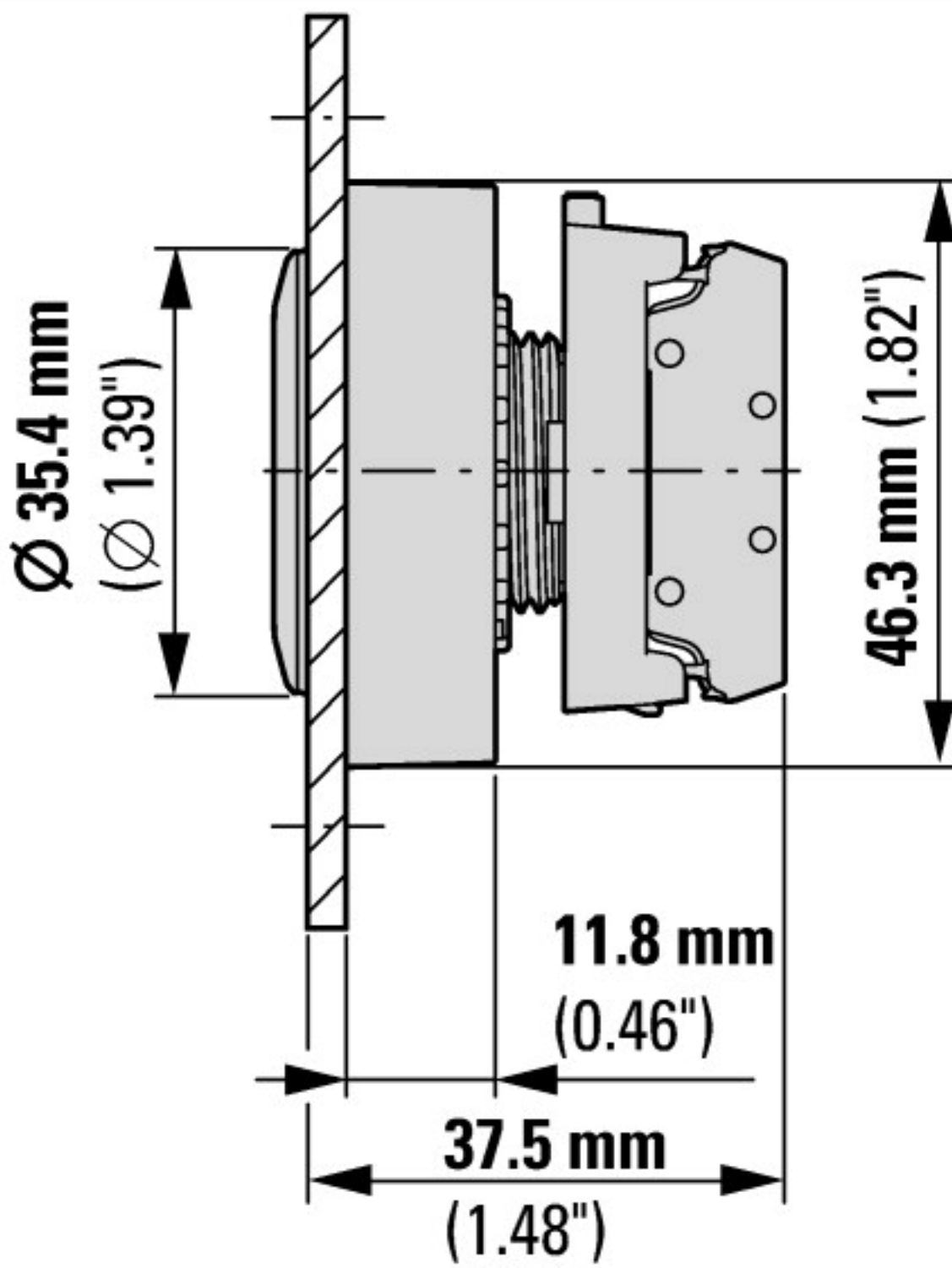
| | |
|-----------------------------|------------------------------------------------------------------------------|
| Product Standards | IEC/EN 60947-5; UL 508; CSA-C22.2 No. 14-05; CSA-C22.2 No. 94-91; CE marking |
| UL File No. | E29184 |
| UL Category Control No. | NKCR |
| CSA File No. | 012528 |
| CSA Class No. | 3211-03 |
| North America Certification | UL listed, CSA certified |
| Degree of Protection | UL/CSA Type 3R, 4X, 12, 13 |

Dimensions

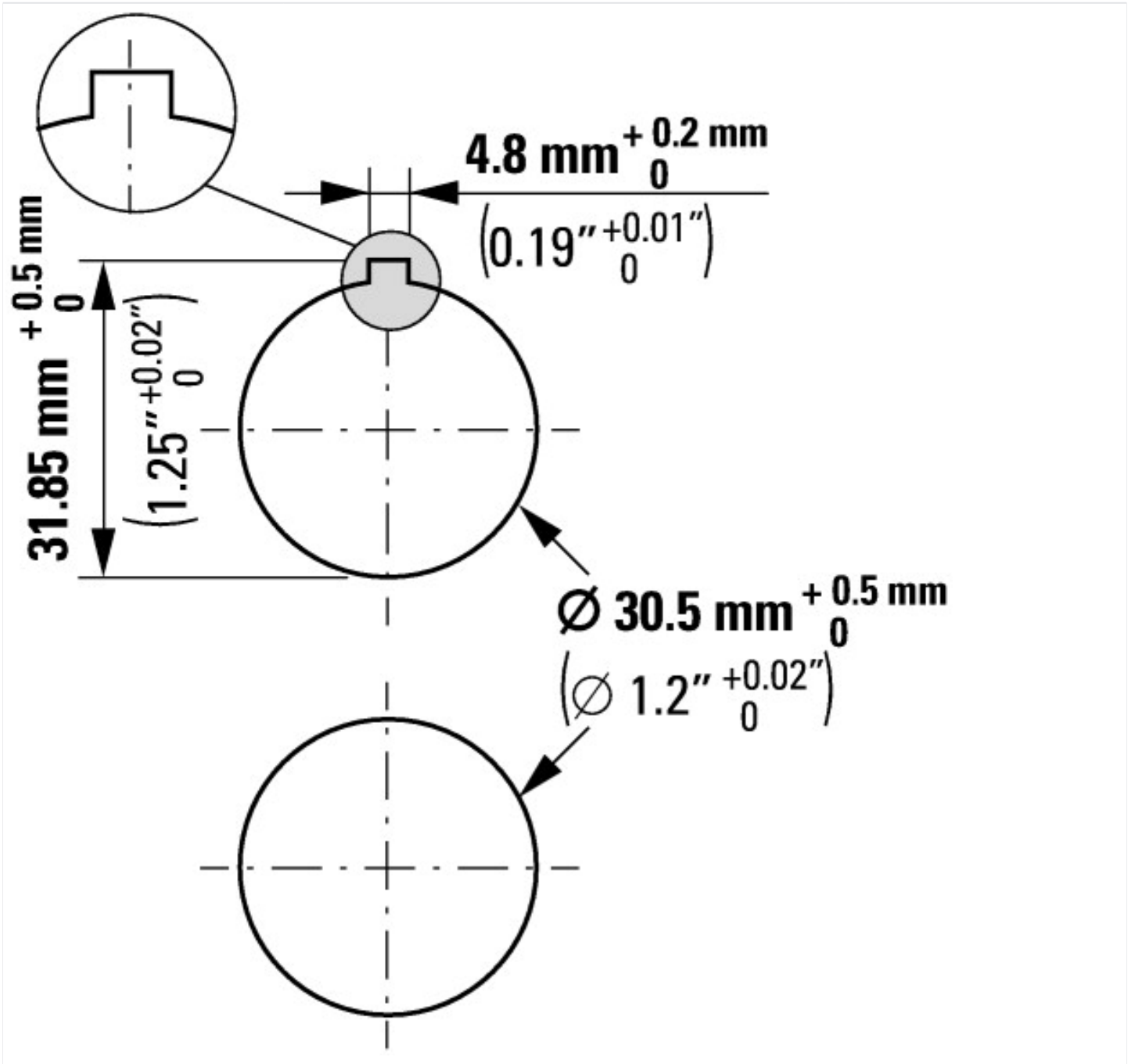




with 2 M22-K... standard contact elements



with M22-FK... flat rear contact elements



Additional product information (links)

IL047019ZU Flat Front

IL047019ZU Flat Front

https://es-assets.eaton.com/DOCUMENTATION/AWA_INSTRUCTIONS/IL047019ZU2018_05.pdf