



MB-Power-cable, IP67, 6 m, 4 pole, Prefabricated on one side with 7/8" right-angle socket



Part no. SWD4-6LR4P-R
Catalog No. 183200
Alternate Catalog No. SWD4-6LR4P-R

Similar to illustration

Delivery program

| | | | |
|--|--|---|---|
| Product range | | | SmartWire-DT accessories |
| Basic function | | | Supply cable |
| Function | | | For directly connecting the power supply to EU6E., EU8E.. IP67 SmartWire-DT modules |
| Description | | | 4 pole Prefabricated on one side with 7/8" right-angle socket |
| Length | | m | 6 |
| Note regarding length | | | 1 off |
| Connection to SmartWire-DT | | | yes |
| Protection type (IEC/EN 60529, EN50178, VBG 4) | | | IP67 |

Technical data

Ambient conditions, mechanical

| | | | |
|--|--|--|------|
| Protection type (IEC/EN 60529, EN50178, VBG 4) | | | IP67 |
|--|--|--|------|

Climatic environmental conditions

| | | | |
|---|--|----|-------------|
| Operating ambient temperature (IEC 60068-2) | | °C | |
| Operating ambient temperature max. | | °C | + 70 |
| Condensation | | | permissible |

Design verification as per IEC/EN 61439

| | | | |
|--|-------------------|----|--|
| Technical data for design verification | | | |
| Static heat dissipation, non-current-dependent | P _{vs} | W | 0 |
| Heat dissipation capacity | P _{diss} | W | 0 |
| Operating ambient temperature min. | | °C | -25 |
| Operating ambient temperature max. | | °C | 70 |
| Degree of Protection | | | IP67 |
| IEC/EN 61439 design verification | | | |
| 10.2 Strength of materials and parts | | | |
| 10.2.2 Corrosion resistance | | | Meets the product standard's requirements. |
| 10.2.3.1 Verification of thermal stability of enclosures | | | Meets the product standard's requirements. |
| 10.2.3.2 Verification of resistance of insulating materials to normal heat | | | Meets the product standard's requirements. |
| 10.2.3.3 Verification of resistance of insulating materials to abnormal heat and fire due to internal electric effects | | | Meets the product standard's requirements. |
| 10.2.4 Resistance to ultra-violet (UV) radiation | | | Meets the product standard's requirements. |
| 10.2.5 Lifting | | | Does not apply, since the entire switchgear needs to be evaluated. |
| 10.2.6 Mechanical impact | | | Does not apply, since the entire switchgear needs to be evaluated. |
| 10.2.7 Inscriptions | | | Meets the product standard's requirements. |
| 10.3 Degree of protection of ASSEMBLIES | | | Meets the product standard's requirements. |
| 10.4 Clearances and creepage distances | | | Meets the product standard's requirements. |
| 10.5 Protection against electric shock | | | Does not apply, since the entire switchgear needs to be evaluated. |
| 10.6 Incorporation of switching devices and components | | | Does not apply, since the entire switchgear needs to be evaluated. |
| 10.7 Internal electrical circuits and connections | | | Is the panel builder's responsibility. |
| 10.8 Connections for external conductors | | | Is the panel builder's responsibility. |
| 10.9 Insulation properties | | | |
| 10.9.2 Power-frequency electric strength | | | Is the panel builder's responsibility. |

| | | |
|--|--|--|
| 10.9.3 Impulse withstand voltage | | Is the panel builder's responsibility. |
| 10.9.4 Testing of enclosures made of insulating material | | Is the panel builder's responsibility. |
| 10.10 Temperature rise | | The panel builder is responsible for the temperature rise calculation. Eaton will provide heat dissipation data for the devices. |
| 10.11 Short-circuit rating | | Is the panel builder's responsibility. |
| 10.12 Electromagnetic compatibility | | Is the panel builder's responsibility. |
| 10.13 Mechanical function | | The device meets the requirements, provided the information in the instruction leaflet (IL) is observed. |

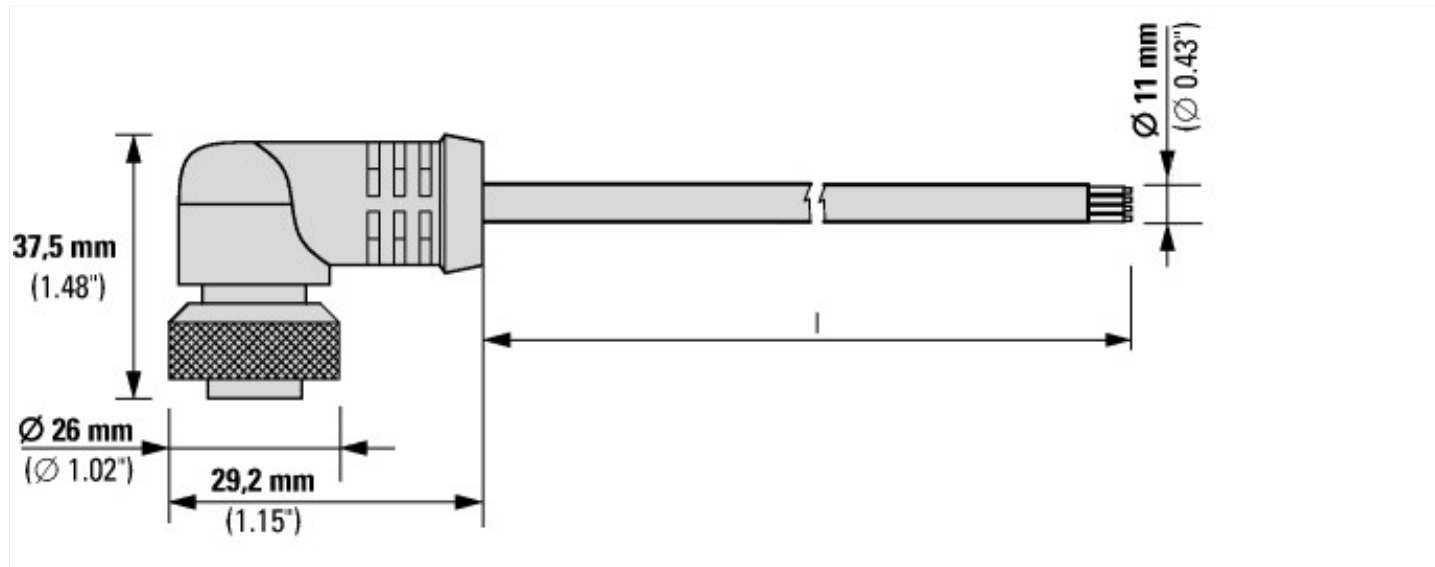
Technical data ETIM 7.0

| Cables (EG000001) / Data and communication cable (copper) (EC003249) | | |
|--|-----------------|---------------------------------|
| Conductor surface | | Bare |
| Diameter conductor | mm | 1.5 |
| Nominal cross section conductor | mm ² | 0.5 |
| AWG-size | | 20 |
| Conductor category | | Class 2 = stranded |
| Number of cores | | 4 |
| Number of stranding elements | | 26 |
| Stranding element | | Pairs |
| Core insulation material | | |
| Specification core insulation | | Other |
| Core identification | | Colour |
| Screen over stranding element | | Foil |
| Stranding | | Bundle |
| Screen over stranding | | None |
| Longitudinal water blocking cable | | Yes |
| Radial water blocking cable | | Yes |
| Protective sheath | | |
| Armouring | | No |
| Material outer sheath | | Polyvinyl chloride (PVC) |
| Specification material outer sheath | | |
| Colour outer sheath | | Black |
| Reaction-to-fire class according to EN 13501-6 | | None |
| Smoke development class according to EN 13501-6 | | None |
| Euro class flaming droplets/particles according to EN 13501-6 | | None |
| Euro class acidity according to EN 13501-6 | | None |
| Halogen free (acc. EN 60754-1/2) | | No |
| Halogen free (acc. IEC 60754-2) | | No |
| Flame retardant | | In accordance with EN 60332-1-2 |
| Low smoke (acc. EN 61034-2) | | No |
| Low smoke (acc. IEC 61034-2) | | No |
| Oil resistant (acc. EN 60811-404) | | Yes |
| Oil resistant (acc. IEC 60811-404) | | Yes |
| Insulation integrity in accordance with IEC 60331 | | No |
| Circuit integrity | | No |
| Outer diameter approx. | mm | 11 |
| Min. permitted bending radius, moving application with forced guidance | mm | 80 |
| Min. permitted bending radius, moving application/free movement | mm | 80 |
| Min. permitted bending radius, stationary application/permanent installation | mm | 64 |
| Permitted cable outer temperature during assembling/handling | °C | -25 - 70 |
| Permitted cable outer temperature after assembling without vibration | °C | -25 - 70 |
| Category | | Other |
| NVP value | % | 66.5 |
| Underground installation | | No |
| UV resistant | | Yes |

Approvals

| | | |
|--------------------------------------|--|--------------------------|
| North America Certification | | UL listed, CSA certified |
| Specially designed for North America | | No |

Dimensions



Supply cable, prefabricated on one side

Assets (links)

Instruction Leaflets

IL120005ZU2018_02

IL120006ZU2018_02

Manuals

MN05006002Z_DE (German)

MN05006002Z_EN (English)

MN05006002Z_IT (Italian)

Additional product information (links)

instruction leaflet SWD I/O modules IP67 EU1E-SWD-..., EU2E-SWD-..., EU1S-SWD-..., EU2A-SWD-... IL120005ZU

instruction leaflet SWD I/O modules IP67 EU1E-SWD-..., EU2E-SWD-..., EU1S-SWD-..., EU2A-SWD-... IL120005ZU ftp://ftp.moeller.net/DOCUMENTATION/AWA_INSTRUCTIONS/IL120005ZU2018_02.pdf

instruction leaflet SWD I/O modules IP67 EU6E-SWD-..., EU8E-SWD-... IL120006ZU

instruction leaflet SWD I/O modules IP67 EU6E-SWD-..., EU8E-SWD-... IL120006ZU ftp://ftp.moeller.net/DOCUMENTATION/AWA_INSTRUCTIONS/IL120006ZU2018_02.pdf

SmartWire-DT manual, The System MN05006002Z

Handbuch SmartWire-DT, Das System MN05006002Z - Deutsch ftp://ftp.moeller.net/DOCUMENTATION/AWB_MANUALS/MN05006002Z_DE.pdf

SmartWire-DT manual, The System MN05006002Z - English ftp://ftp.moeller.net/DOCUMENTATION/AWB_MANUALS/MN05006002Z_EN.pdf

Manuale SmartWire-DT, il sistema MN05006002Z - italiano ftp://ftp.moeller.net/DOCUMENTATION/AWB_MANUALS/MN05006002Z_IT.pdf

SmartWire-DT product range catalog <http://ecat.moeller.net/flip-cat/?edition=SWKAT&startpage=Titel>

f1=1457&f2=1181&f3=1530;Download Wizard SWD-ASSIST <http://applications.eaton.eu/sdlc?LX=11&>

Product overview WEB <http://www.eaton.eu/swd>