



NH fuse-switch 1p box terminal 1,5 - 95 mm²; mounting plate; NH000 & NH00

Part no. XNH00-1-A160-BT
Catalog No. 183032
EL-Nummer (Norway) 1624007

Similar to illustration

Delivery program

Basic function			Basic device
Number of poles			1 pole
Mounting type			DIN rails Mounting plate
Size			00
Type of connection			Box terminal
Rated operational current	I_e	A	160
Front degree of protection (XNH installed)			IP20 (Operating status) IP2XC (Contact protection) IP10 (Handle cover open)
Rated operational voltage	U_e	V AC	690
Rated operational voltage	U_e	V DC	440
Rated conditional short-circuit current		kA	120 (500 V) 100 (690 V)
Flammability characteristics			Self-extinguishing as per UL 94
Description			Current paths of electrolytic copper, silver-plated
Successor to			263120

Technical data

Electrical

Standards			IEC/EN 60947-3
Rated operational voltage	U_e	V AC	690
Rated operational voltage	U_e	V DC	440
Rated operational current	I_e	A	160
Rated frequency	f	Hz	40 - 60
Rated insulation voltage	U_i	V AC	800
Total heat dissipation at I_{th} (without fuses)	P_v	W	9
Heat dissipation at 80% (without fuses)	P_v	W	5.8
Rated impulse withstand voltage	U_{imp}	kV	8
Utilization category AC-23B			
Rated operating voltage	U_e	V AC	400
Rated operating current	I_e	A	160
Utilization category AC22B			
Rated operating voltage	U_e	V AC	500
Rated operating current	I_e	A	160
Utilization category AC-21B			
Rated operating voltage	U_e	V AC	690
Rated operating current	I_e	A	160
Utilization category DC-22B			

Rated operating voltage	U _e	V DC	250
Rated operating current	I _e	A	160
Utilization category DC21B			
Rated operating voltage	U _e	V DC	440
Rated operating current	I _e	A	160
Rated conditional short-circuit current		kA	120 (500 V) 100 (690 V)
Rated short-time withstand current	I _{cw}	kA	7
Max. fuse			
Size according to DIN VDE 0636-2			000 / 00
Max. permitted power loss per fuse link	P _v	W	12
Lifespan, electrical	Operations		300

Mechanical

Front degree of protection (XNH installed)			IP20 (Operating status) IP2XC (Contact protection) IP10 (Handle cover open)
Ambient temperature		°C	-25 - +55
Rated operating mode			Permanent operation
Activation			Dependent manual activation
Mounting position			Vertical, horizontal
Altitude		m	Max. 2000
Overvoltage category/pollution degree			III/3
RoHS (in accordance with Directive 2002/95/EC of the European Parliament and Council)			Yes
Direction of incoming supply			as required
Lockable			Yes, optional
Sealable			Yes, Standard
Material characteristics			
Material			Polyamide
Colour			Grey
Flammability characteristics			Self-extinguishing as per UL 94
Halogen-free			Yes
Voltage test			Yes, sliding inspection windows
Lifespan, mechanical	Operations		1400
Track resistance			CTI 600
Heat deflection temperature		°C	125

Terminal capacity

Flange connection			
Bolt diameter			M8
Cable lug max. width		mm	25
Flat busbar		mm	20 x 10
Box terminal			
Stranded		mm ²	1,5 - 95 Cu
Copper strip	Number of segments x width x thickness	mm	9 x 9 x 0,8
Box terminal			
Stranded		mm ²	1,5 - 50 Cu
Copper band	Number of segments x width x thickness	mm	6 x 9 x 0,8
Clamp-type terminal			
Stranded		mm ²	10 - 70 Cu/Al
Double clamp-type terminal			
Stranded		mm ²	-

Design verification as per IEC/EN 61439

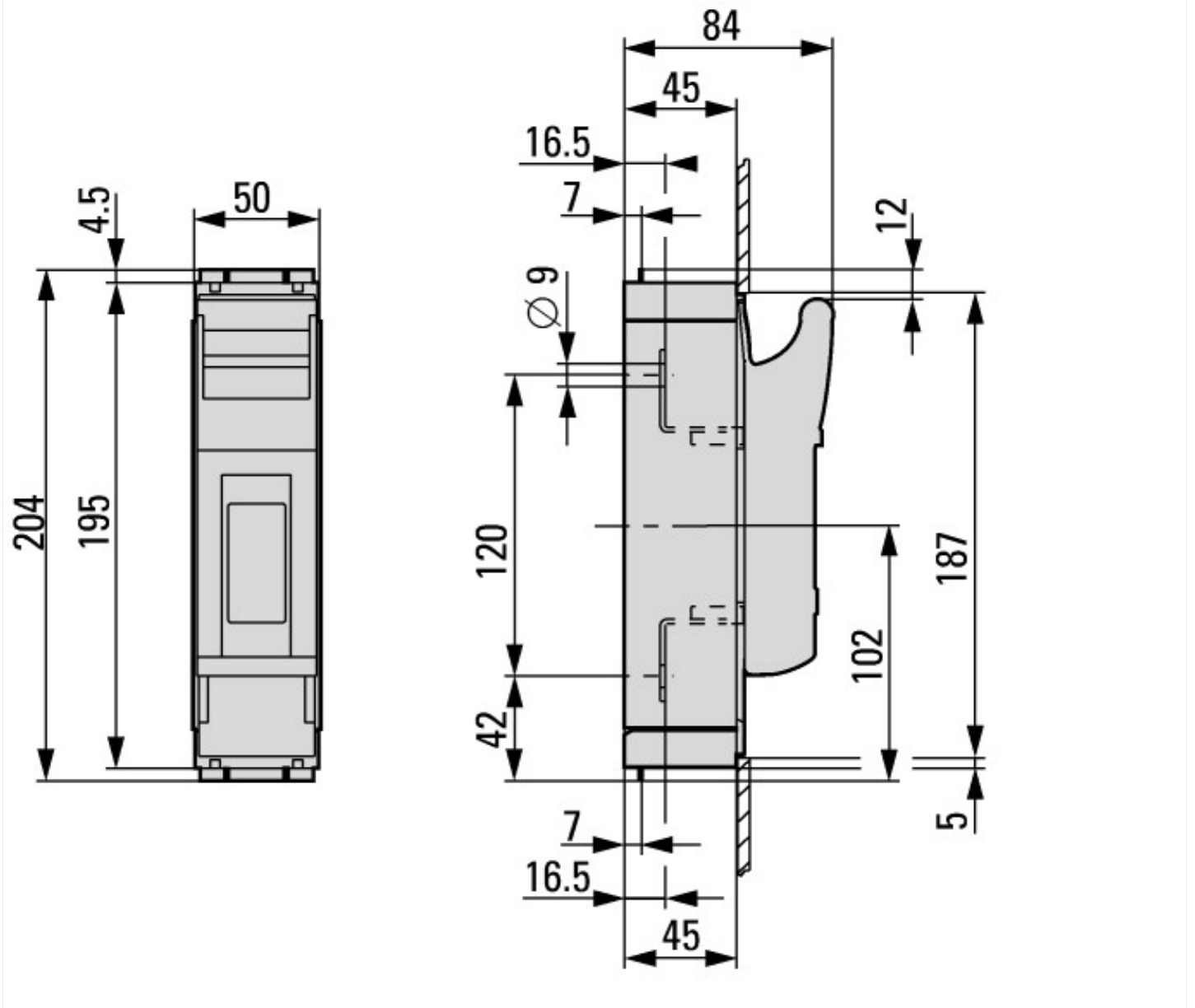
Technical data for design verification			
Rated operational current for specified heat dissipation	I_n	A	160
Heat dissipation per pole, current-dependent	P_{vid}	W	3
Equipment heat dissipation, current-dependent	P_{vid}	W	9
IEC/EN 61439 design verification			
10.2 Strength of materials and parts			
10.2.2 Corrosion resistance			
			Meets the product standard's requirements.
10.2.3.1 Verification of thermal stability of enclosures			
			Meets the product standard's requirements.
10.2.3.2 Verification of resistance of insulating materials to normal heat			
			Meets the product standard's requirements.
10.2.3.3 Verification of resistance of insulating materials to abnormal heat and fire due to internal electric effects			
			Meets the product standard's requirements.
10.2.4 Resistance to ultra-violet (UV) radiation			
			Meets the product standard's requirements.
10.2.5 Lifting			
			Does not apply, since the entire switchgear needs to be evaluated.
10.2.6 Mechanical impact			
			Does not apply, since the entire switchgear needs to be evaluated.
10.2.7 Inscriptions			
			Meets the product standard's requirements.
10.3 Degree of protection of ASSEMBLIES			
			Does not apply, since the entire switchgear needs to be evaluated.
10.4 Clearances and creepage distances			
			Is the panel builder's responsibility.
10.5 Protection against electric shock			
			Does not apply, since the entire switchgear needs to be evaluated.
10.6 Incorporation of switching devices and components			
			Does not apply, since the entire switchgear needs to be evaluated.
10.7 Internal electrical circuits and connections			
			Is the panel builder's responsibility.
10.8 Connections for external conductors			
			Is the panel builder's responsibility.
10.9 Insulation properties			
10.9.2 Power-frequency electric strength			
			$U_i = 800 \text{ V AC}$
10.9.3 Impulse withstand voltage			
			Is the panel builder's responsibility.
10.9.4 Testing of enclosures made of insulating material			
			Is the panel builder's responsibility.
10.10 Temperature rise			
			The panel builder is responsible for the temperature rise calculation. Eaton will provide heat dissipation data for the devices.
10.11 Short-circuit rating			
			Is the panel builder's responsibility. The specifications for the switchgear must be observed.
10.12 Electromagnetic compatibility			
			Is the panel builder's responsibility. The specifications for the switchgear must be observed.
10.13 Mechanical function			
			The device meets the requirements, provided the information in the instruction leaflet (IL) is observed.

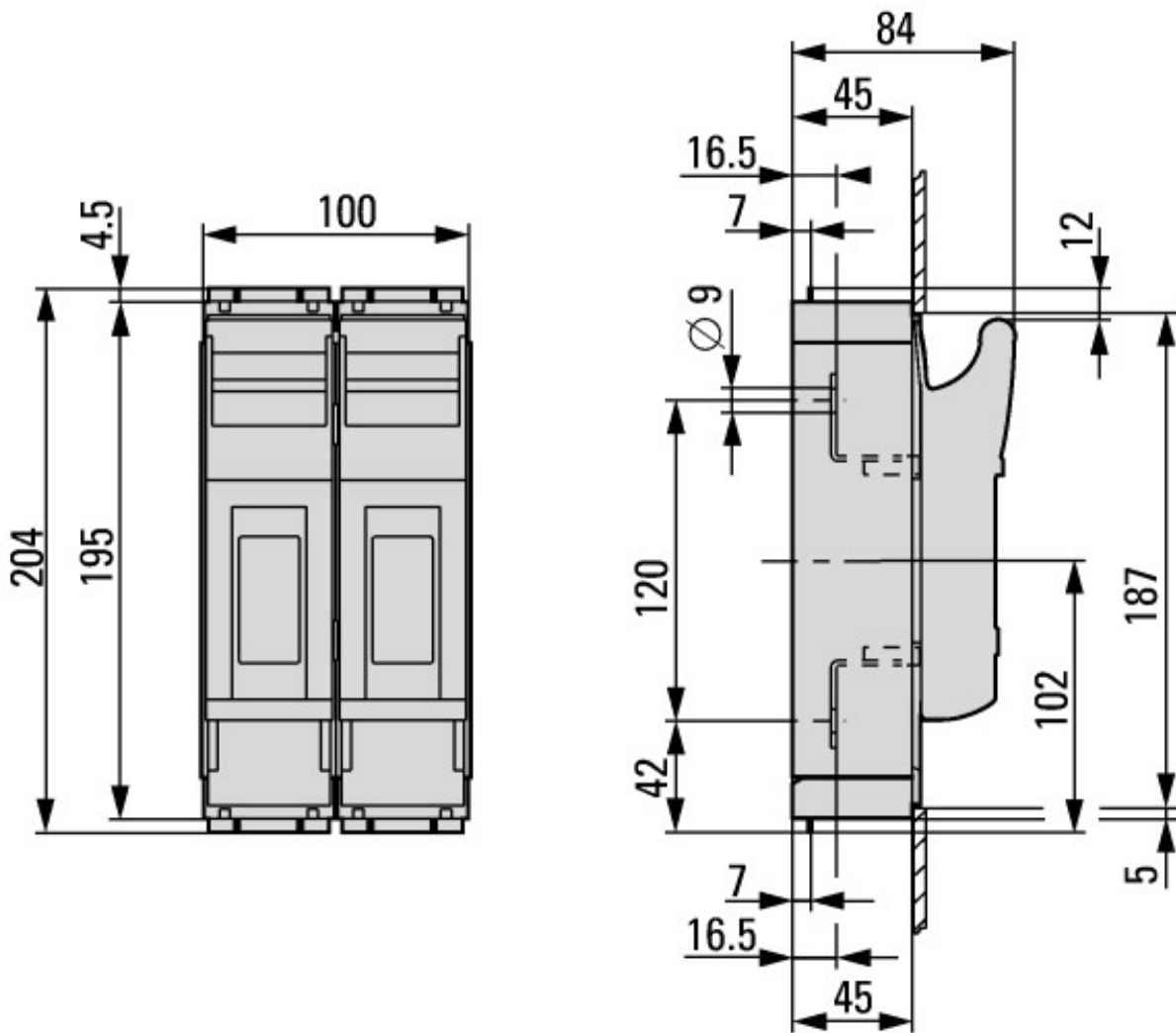
Technical data ETIM 7.0

Low-voltage industrial components (EG000017) / Fuse switch disconnecter (EC001040)			
Electric engineering, automation, process control engineering / Low-voltage switch technology / Off-load switch, circuit breaker, control switch / Fuse switch disconnecter (ec1@ss10.0.1-27-37-14-01 [AKF058013])			
Version as main switch			No
Version as safety switch			No
Max. rated operation voltage U_e AC		V	690
Rated permanent current I_u		A	160
Rated operation power at AC-23, 400 V		kW	0
Conditioned rated short-circuit current I_q		kA	120
Rated short-time withstand current I_{cw}		kA	7
Suitable for fuses			NH00
Number of poles			1
With error protection			No
Type of electrical connection of main circuit			Frame clamp
Cable entry			Other
Equipped with connectors			No
Suitable for ground mounting			Yes
Suitable for front mounting 4-hole			No
Suitable for busbar mounting			No
Type of control element			Cover grip
Position control element			Front side

Motor drive optional	<input type="checkbox"/>	No
Motor drive integrated	<input type="checkbox"/>	No
Version as emergency stop installation	<input type="checkbox"/>	No
Degree of protection (IP), front side	<input type="checkbox"/>	Other

Dimensions





2x XNH00-1-A160

Additional product information (links)

IL0131113ZU Fuse switch-disconnector XNH

IL0131113ZU Fuse switch-disconnector XNH https://es-assets.eaton.com/DOCUMENTATION/AWA_INSTRUCTIONS/IL0131113ZU2015_11.pdf