

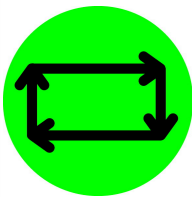


**Illuminated pushbutton actuator, RMQ-Titan, Flat, momentary, green, inscribed, Metal bezel**



**Part no. M30C-FDL-G-X32**  
**Catalog No. 182968**  
**Alternate Catalog No. M30C-FDL-G-X32**  
**EL-Nummer (Norway) 4315650**

**Delivery program**

Product range			Flat Front (drilling dimensions 30.5 mm)
Basic function			Illuminated pushbutton actuators
Mounting hole diameter	∅	mm	30.5
Single unit/Complete unit			Single unit
Design			Flat momentary
<b>Button plate</b>			
button plate			green
Button plate			
			inscribed
Degree of Protection			IP66, IP67, IP69
Front ring			Metal bezel
Connection to SmartWire-DT			yes with SWD-RMQ connections

**Technical data**

**General**

Standards			IEC/EN 60947 VDE 0660
Lifespan, mechanical	Operations	x 10 <sup>6</sup>	> 5
Operating frequency	Operations/h		≤ 3600
Actuating force		n	≤ 5
Climatic proofing			Damp heat, constant, to IEC 60068-2-78 Damp heat, cyclic, to IEC 60068-2-30
Degree of Protection			IP66, IP67, IP69
Ambient temperature			
Open		°C	-25 - +70
Mounting position			As required
Mechanical shock resistance		g	15 Shock duration 11 ms Sinusoidal according to IEC 60068-2-27
shipping classification			DNV GL
			

## Design verification as per IEC/EN 61439

Technical data for design verification			
Operating ambient temperature min.		°C	-25
Operating ambient temperature max.		°C	70

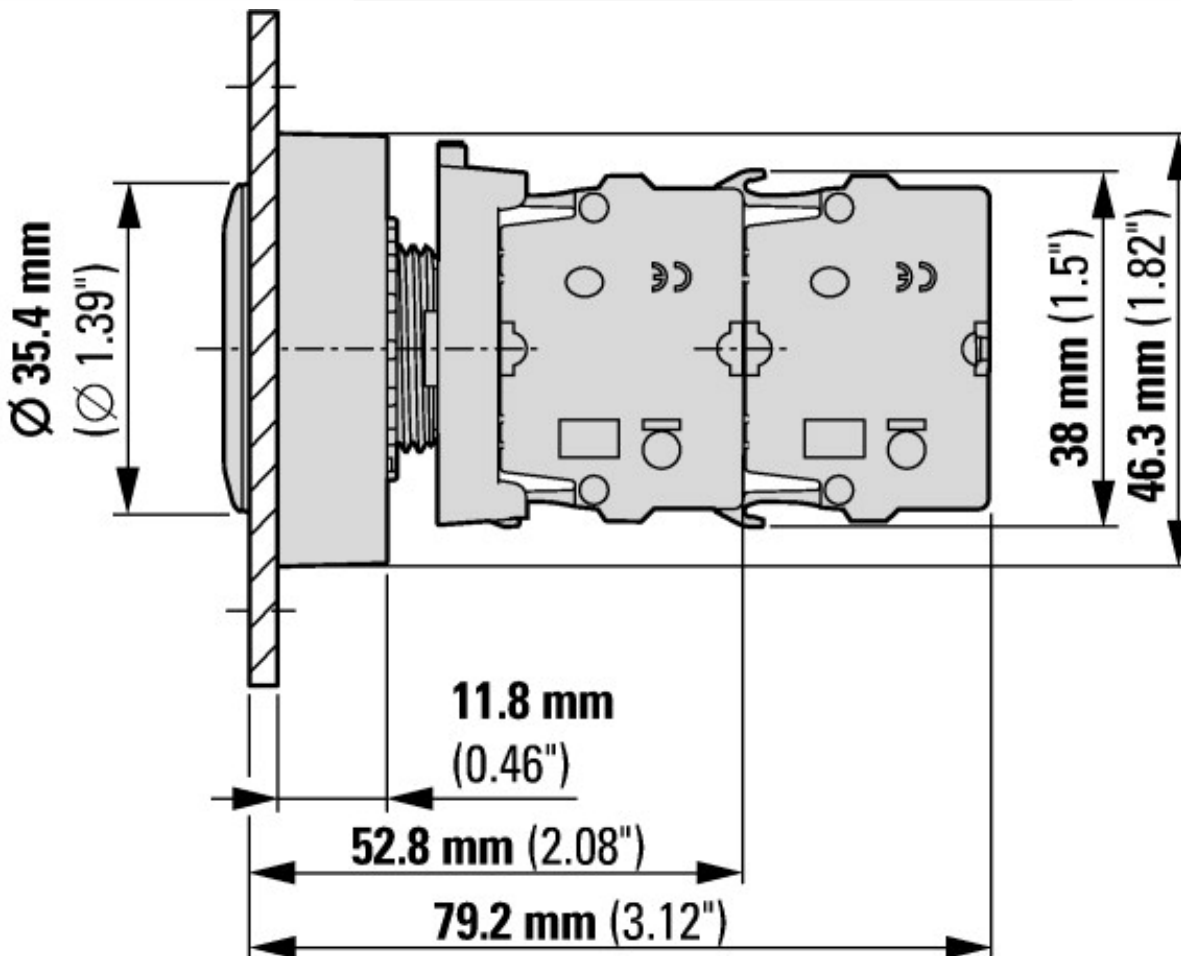
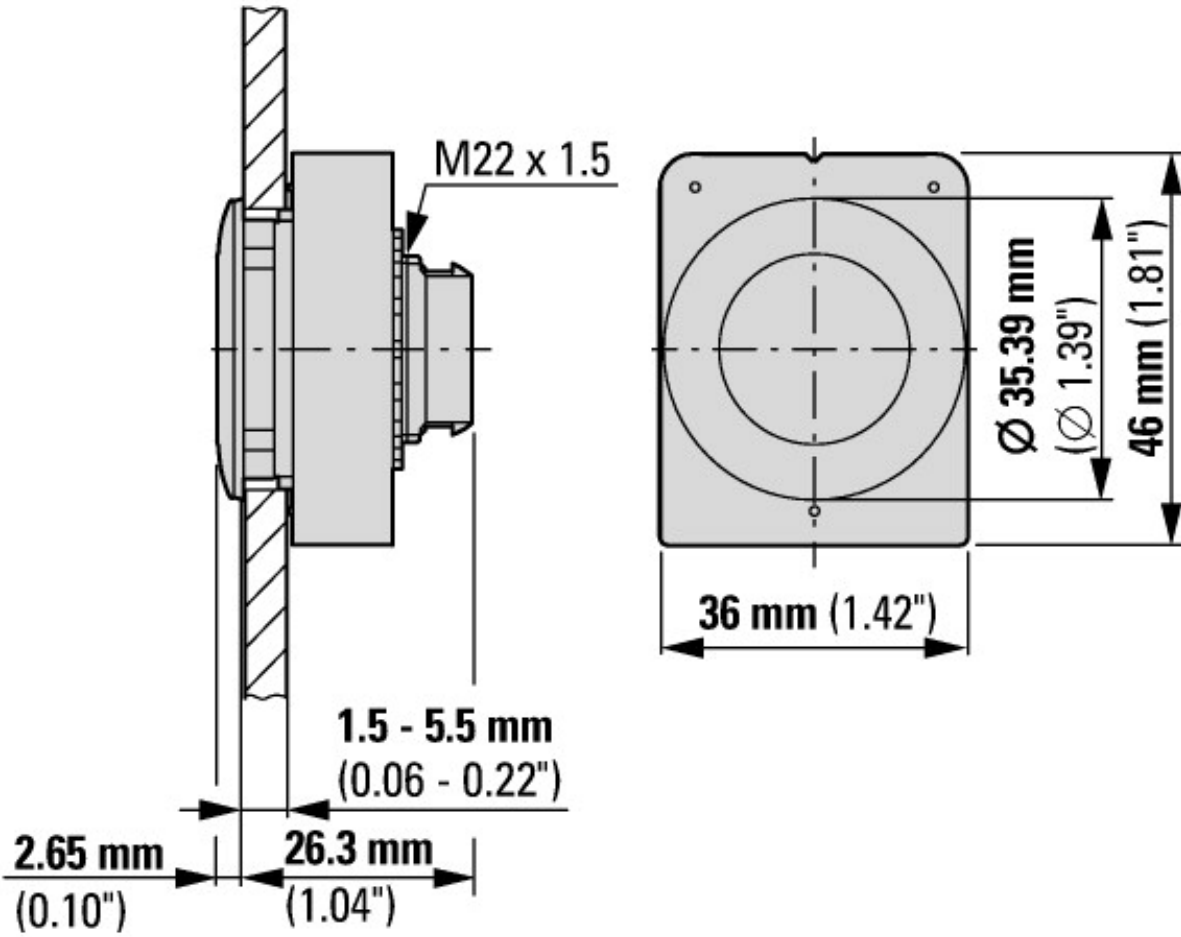
## Technical data ETIM 7.0

Low-voltage industrial components (EG000017) / Front element for push button (EC000221)			
Electric engineering, automation, process control engineering / Low-voltage switch technology / Command and alarm device / Front element for push-button actuators (ecl@ss10.0.1-27-37-12-10 [AKF028014])			
Colour button			Green
Number of command positions			1
Construction type lens			Round
Hole diameter		mm	30
Width opening		mm	0
Height opening		mm	0
Type of button			Flat
Suitable for illumination			Yes
With protective cover			No
Labelled			Yes
Switching function latching			No
Spring-return			Yes
With front ring			Yes
Material front ring			Metal
Colour front ring			Chrome
Degree of protection (IP), front side			IP67/IP69K
Degree of protection (NEMA), front side			Other

## Approvals

Product Standards			IEC/EN 60947-5; UL 508; CSA-C22.2 No. 14-05; CSA-C22.2 No. 94-91; CE marking
UL File No.			E29184
UL Category Control No.			NKCR
CSA File No.			012528
CSA Class No.			3211-03
North America Certification			UL listed, CSA certified
Degree of Protection			UL/CSA Type 3R, 4X, 12, 13

## Dimensions



with 2 M22-K... standard contact elements



with M22-FK... flat rear contact elements



### Additional product information (links)

IL047019ZU Flat Front

IL047019ZU Flat Front

[https://es-assets.eaton.com/DOCUMENTATION/AWA\\_INSTRUCTIONS/IL047019ZU2018\\_05.pdf](https://es-assets.eaton.com/DOCUMENTATION/AWA_INSTRUCTIONS/IL047019ZU2018_05.pdf)