



IP67 SmartWire-DT plug connector with 5-conductor socket for screwing in place for SmartWire-DT round cable



Powering Business Worldwide™



Part no. SWD4-SF5-67
Catalog No. 179547
Alternate Catalog No. SWD4-SF5-67

Delivery program

Product range			SmartWire-DT accessories
Basic function			Plug/socket
Basic function accessories			Plug-in connection
Function			Plug connector for 5 pole SWD4-...LR5-.. round cables
Description			5 pole socket Straight Screw connection
Connection to SmartWire-DT			yes
For use with			SWD4-SM5-12 SWD4-SML8-12 SWD4-...LR5...

Technical data

General

Mounting position			As required
Power loss	P	W	0
Note on heat dissipation			not relevant

Ambient conditions, mechanical

Protection type (IEC/EN 60529, EN50178, VBG 4)			IP67
--	--	--	------

Climatic environmental conditions

Climatic proofing			Dry heat to IEC 60068-2-2 Damp heat as per EN 60068-2-3
Air pressure (operation)		hPa	795 - 1080
Ambient temperature			
Operation	θ	°C	-25 - +80
Storage / Transport	θ	°C	-40 - +80
Relative humidity			
Condensation			permissible

Connection options

Connection 1			M12 socket, 5 pole, screw connection
Number of insertion cycles			≥ 100

Design verification as per IEC/EN 61439

Technical data for design verification			
Static heat dissipation, non-current-dependent	P _{vs}	W	0
Heat dissipation capacity	P _{diss}	W	0
Operating ambient temperature min.		°C	-25
Operating ambient temperature max.		°C	80
Degree of Protection			IP67
IEC/EN 61439 design verification			
10.2 Strength of materials and parts			
10.2.2 Corrosion resistance			Meets the product standard's requirements.
10.2.3.1 Verification of thermal stability of enclosures			Meets the product standard's requirements.
10.2.3.2 Verification of resistance of insulating materials to normal heat			Meets the product standard's requirements.
10.2.3.3 Verification of resistance of insulating materials to abnormal heat and fire due to internal electric effects			Meets the product standard's requirements.
10.2.4 Resistance to ultra-violet (UV) radiation			Meets the product standard's requirements.
10.2.5 Lifting			Does not apply, since the entire switchgear needs to be evaluated.
10.2.6 Mechanical impact			Does not apply, since the entire switchgear needs to be evaluated.

10.2.7 Inscriptions		Meets the product standard's requirements.
10.3 Degree of protection of ASSEMBLIES		Meets the product standard's requirements.
10.4 Clearances and creepage distances		Meets the product standard's requirements.
10.5 Protection against electric shock		Does not apply, since the entire switchgear needs to be evaluated.
10.6 Incorporation of switching devices and components		Does not apply, since the entire switchgear needs to be evaluated.
10.7 Internal electrical circuits and connections		Is the panel builder's responsibility.
10.8 Connections for external conductors		Is the panel builder's responsibility.
10.9 Insulation properties		
10.9.2 Power-frequency electric strength		Is the panel builder's responsibility.
10.9.3 Impulse withstand voltage		Is the panel builder's responsibility.
10.9.4 Testing of enclosures made of insulating material		Is the panel builder's responsibility.
10.10 Temperature rise		The panel builder is responsible for the temperature rise calculation. Eaton will provide heat dissipation data for the devices.
10.11 Short-circuit rating		Is the panel builder's responsibility.
10.12 Electromagnetic compatibility		Is the panel builder's responsibility.
10.13 Mechanical function		The device meets the requirements, provided the information in the instruction leaflet (IL) is observed.

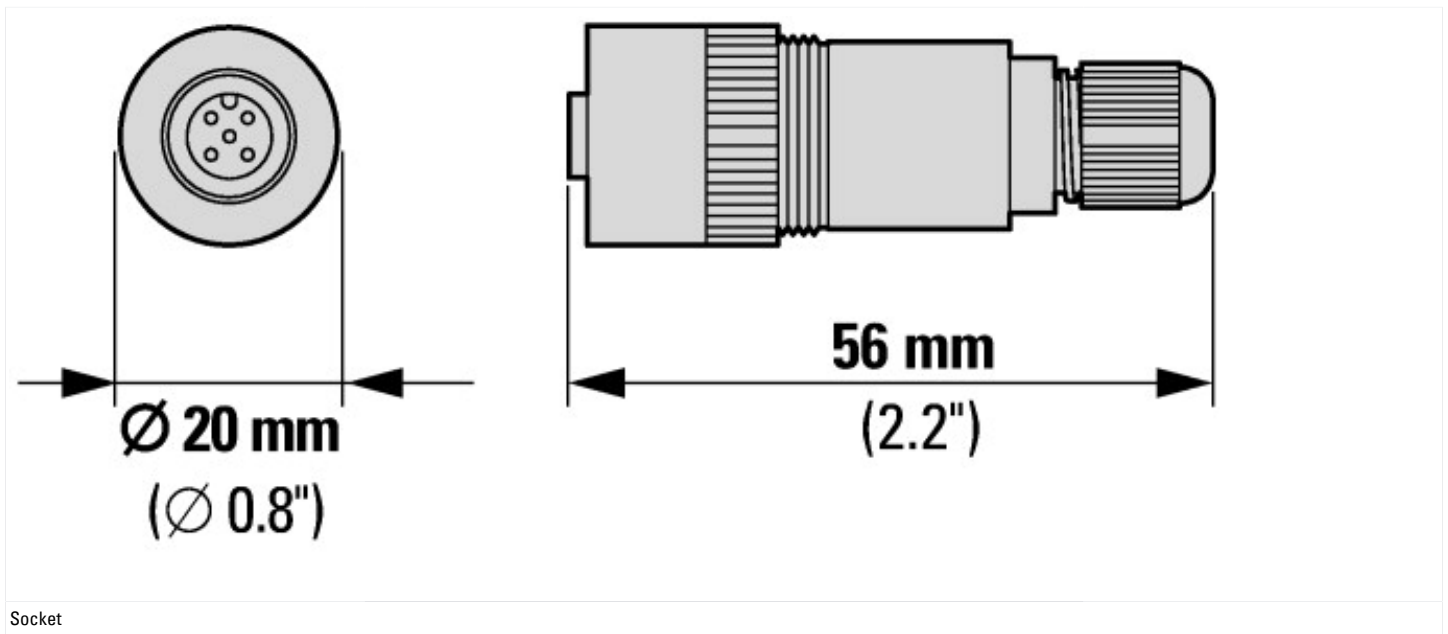
Technical data ETIM 7.0

PLC's (EG000024) / Accessories for controls (EC002584)		
Electric engineering, automation, process control engineering / Control / Programmable logic control (SPS) / Programmable logic control (SPS, accessories) (ecl@ss10.0.1-27-24-22-92 [AFR333003])		
Type of electrical accessory		Plug
Type of mechanical accessory		Other

Approvals

UL File No.		E149111
North America Certification		UL listed, CSA certified
Specially designed for North America		No

Dimensions



Additional product information (links)

SmartWire-DT product range catalog	http://ecat.moeller.net/flip-cat/?edition=SWKAT&startpage=Titel
f1=1457&f2=1181&f3=1530;Download Wizard SWD-ASSIST	http://applications.eaton.eu/sdlc?LX=11&amp
Product overview (WEB)	http://www.eaton.eu/swd