



Safety switch, RS, 1 N/O, 1 NC, Reed contacts, U<sub>e</sub> 24 V DC, -10 - +55 °C, Plastic, 3 m connection cable, S<sub>n</sub> 8 - 19 mm, R

**Part no.** RS2R-11-C3  
**Catalog No.** 177293  
**Alternate Catalog No.** RS2R-11-C3

## Delivery program

Basic function			Position switches Safety position switches
Part group reference			RS
Product range			Non-contacting safety switch
Degree of Protection			IP67, IP69
Ambient temperature		°C	-10 - +55
Description			Reed contacts
<b>Contacts</b>			
N/O = Normally open			1 N/O
N/C = Normally closed			1 NC
Rated voltage	U <sub>e</sub>	V DC	24
Material			Plastic
Connection type			3 m connection cable
Rated switching distance	S <sub>n</sub>	mm	8 - 19

## Technical data

### General

Standards			ISO 13849, ISO 14119, EN 62061
Ambient temperature		°C	-10 - +55
Mechanical shock resistance		g	Semisinusoidal 30 g/11 ms
Vibration			1 mm, 0 - 2000 Hz
relative humidity		%	90 (at 55 °C)
Mounting position			As required
Degree of Protection			IP67, IP69
Terminal capacity			AWG 22
Repetition accuracy (deviation)		%	≤ 10

### Power supply

Rated voltage	U <sub>e</sub>	V DC	24
---------------	----------------	------	----

### Contacts/switching capacity

Rated operational current	I <sub>e</sub>	A	
DC-13			
24 V	I <sub>e</sub>	A	0.3

### Technical safety parameters:

Values according to EN ISO 13849-1			
Performance level	PL		e
B10 <sub>d</sub>			20000000
Values according to IEC 62061			
			SIL: 3

## Design verification as per IEC/EN 61439

Technical data for design verification			
Operating ambient temperature min.		°C	-10
Operating ambient temperature max.		°C	55

## Technical data ETIM 7.0

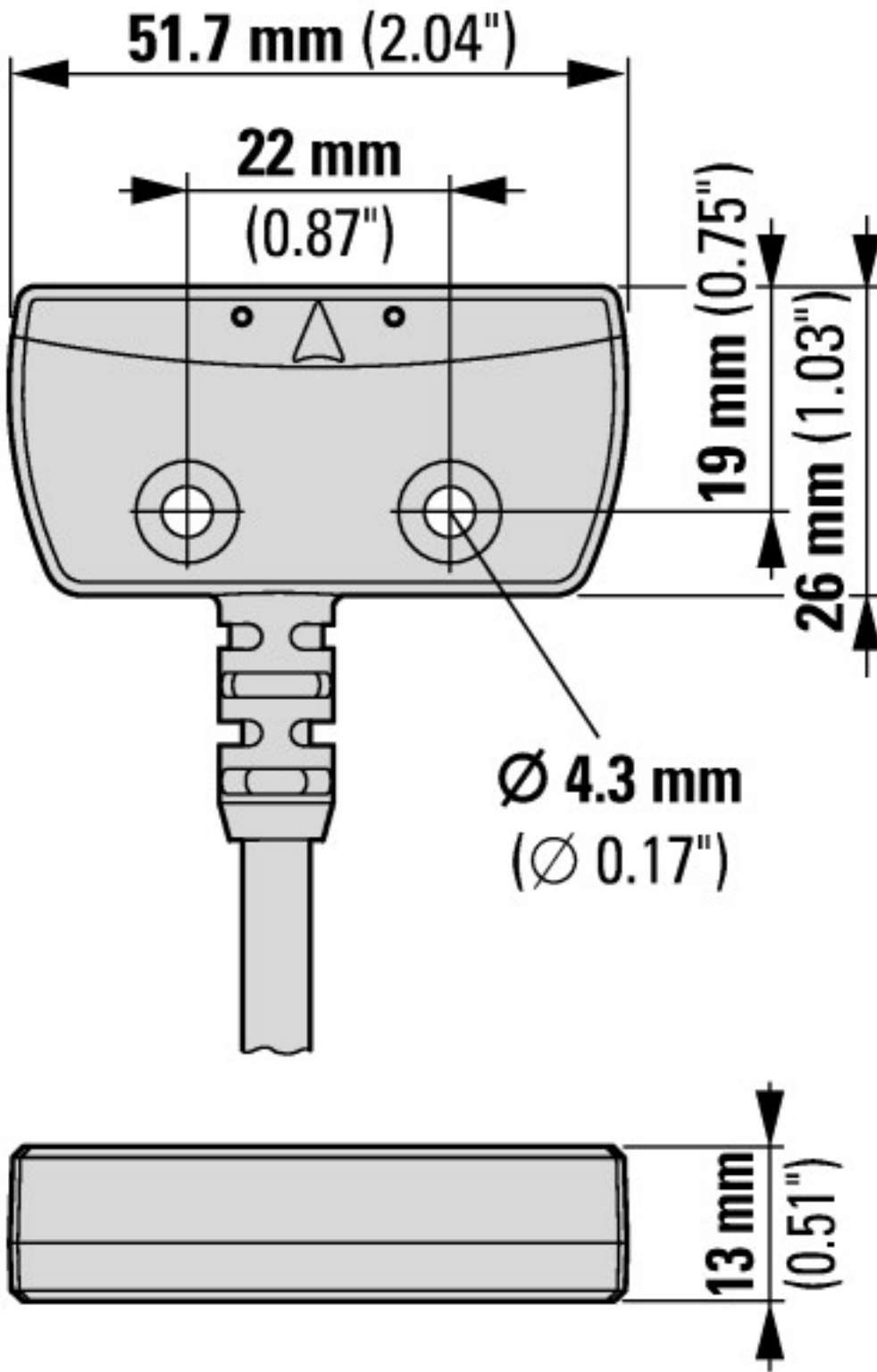
Sensors (EG000026) / Position switch with separate actuator (EC002592)

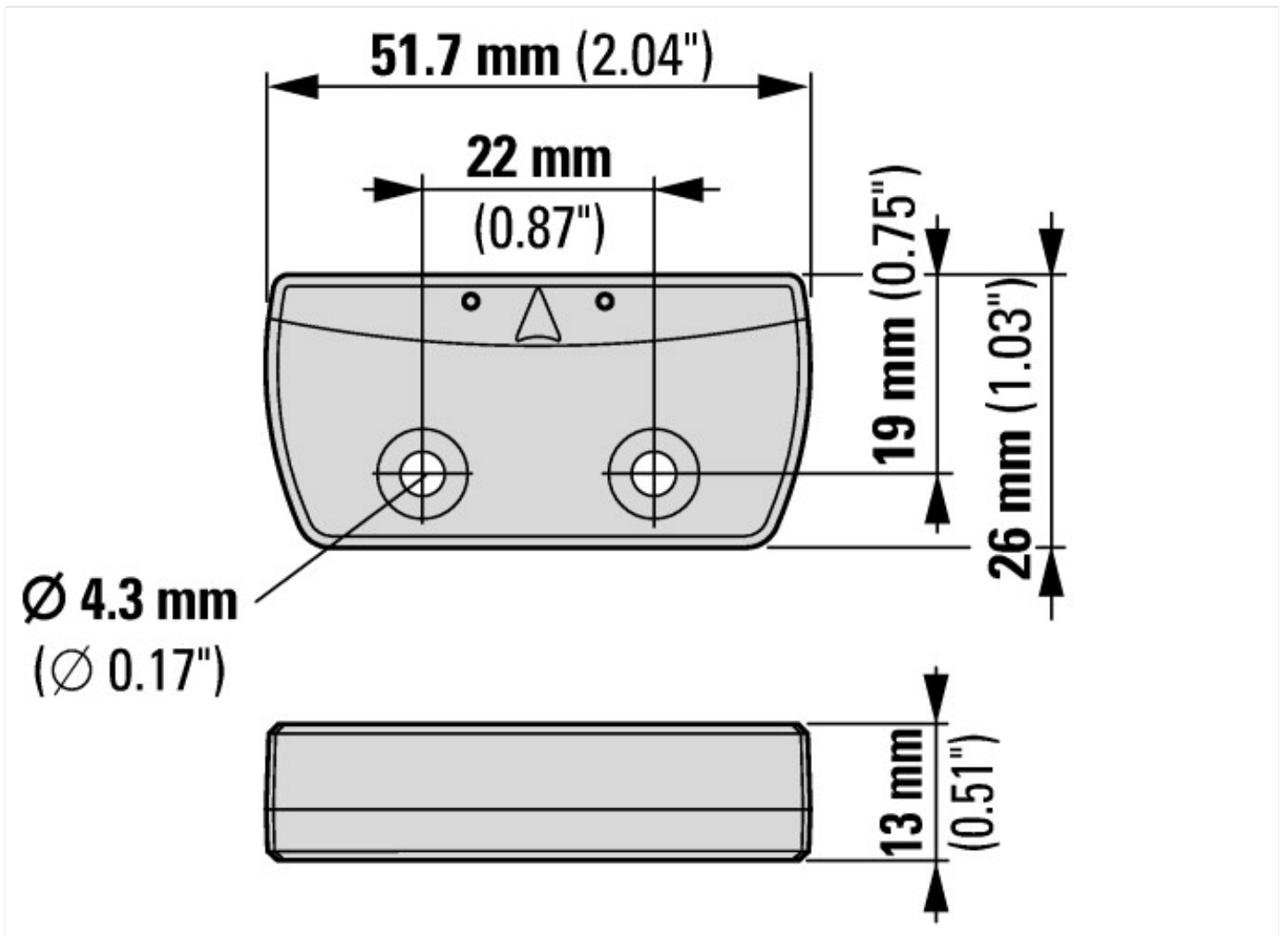
With status indication		No
Suitable for safety functions		Yes
Width sensor	mm	26
Height of sensor	mm	13
Length of sensor	mm	52
Forced opening		No
Number of safety auxiliary contacts		1
Number of contacts as normally closed contact		1
Number of contacts as normally open contact		1
Number of contacts as change-over contact		0
Type of switching contact		Other
Rated operation current I <sub>e</sub> at AC-15, 24 V	A	0
Rated operation current I <sub>e</sub> at AC-15, 125 V	A	0
Rated operation current I <sub>e</sub> at AC-15, 230 V	A	0
Rated operation current I <sub>e</sub> at DC-13, 24 V	A	0.03
Rated operation current I <sub>e</sub> at DC-13, 125 V	A	0
Rated operation current I <sub>e</sub> at DC-13, 230 V	A	0
Construction type housing		Cuboid
Material housing		Plastic
Coating housing		Plastic-coated
Type of interface		Other
Type of interface for safety communication		Other
Type of electric connection		With cable preassembled
Explosion safety category for gas		None
Explosion safety category for dust		None
Ambient temperature during operating	°C	10 - 55
Degree of protection (IP)		IP67
Degree of protection (NEMA)		6

## Approvals

Product Standards		CE marking
UL File No.		E166051
UL Category Control No.		NRKH, NRKH7
CSA File No.		UL report applies to both Canada und US
North America Certification		UL listed, certified by UL for use in Canada
Degree of Protection		IEC: IP67, IP69K; UL/CSA Type: -

## Dimensions





## Assets (links)

### Declaration of CE Conformity

00003111

### Instruction Leaflets

IL053002ZU2018\_05

## Additional product information (links)

### IL053002ZU RS-Titan: Reed Switch Titan

IL053002ZU RS-Titan: Reed Switch Titan

[ftp://ftp.moeller.net/DOCUMENTATION/AWA\\_INSTRUCTIONS/IL053002ZU2018\\_05.pdf](ftp://ftp.moeller.net/DOCUMENTATION/AWA_INSTRUCTIONS/IL053002ZU2018_05.pdf)