




Safety switch, RS, 1 N/O, 2 NC, Reed contacts, U_e 24 V DC, -10 - +55 °C, Plastic, Connecting cable 150 mm with plug connection M12 x 1, S_n 8 - 19 mm

Part no. RS2-12-Q6
Catalog No. 177291
Alternate Catalog No. RS2-12-Q6

Delivery program

| | | | |
|--------------------------|----------------|------|--|
| Basic function | | | Position switches Safety position switches |
| Part group reference | | | RS |
| Product range | | | Non-contacting safety switch |
| Degree of Protection | | | IP67, IP69 |
| Ambient temperature | | °C | -10 - +55 |
| Description | | | Reed contacts |
| Approval | | |  |
| Contacts | | | |
| N/O = Normally open | | | 1 N/O |
| N/C = Normally closed | | | 2 NC |
| Rated voltage | U _e | V DC | 24 |
| Material | | | Plastic |
| Connection type | | | Connecting cable 150 mm with plug connection M12 x 1 |
| Rated switching distance | S _n | mm | 8 - 19 |

Technical data

General

| | | | |
|---------------------------------|--|----|--------------------------------|
| Standards | | | ISO 13849, ISO 14119, EN 62061 |
| Ambient temperature | | °C | -10 - +55 |
| Mechanical shock resistance | | g | Semisinusoidal 30 g/11 ms |
| Vibration | | | 1 mm, 0 - 2000 Hz |
| relative humidity | | % | 90 (at 55 °C) |
| Mounting position | | | As required |
| Degree of Protection | | | IP67, IP69 |
| Terminal capacity | | | AWG 22 |
| Repetition accuracy (deviation) | | % | ≤ 10 |

Power supply

| | | | |
|---------------|----------------|------|----|
| Rated voltage | U _e | V DC | 24 |
|---------------|----------------|------|----|

Contacts/switching capacity

| | | | |
|---------------------------|----------------|---|-----|
| Rated operational current | I _e | A | |
| DC-13 | | | |
| 24 V | I _e | A | 0.3 |

Technical safety parameters:

| | | | |
|------------------------------------|----|--|----------|
| Values according to EN ISO 13849-1 | | | |
| Performance level | PL | | e |
| B10 _d | | | 20000000 |
| Values according to IEC 62061 | | | |
| | | | SIL: 3 |

Design verification as per IEC/EN 61439

| | | | |
|--|--|----|-----|
| Technical data for design verification | | | |
| Operating ambient temperature min. | | °C | -10 |

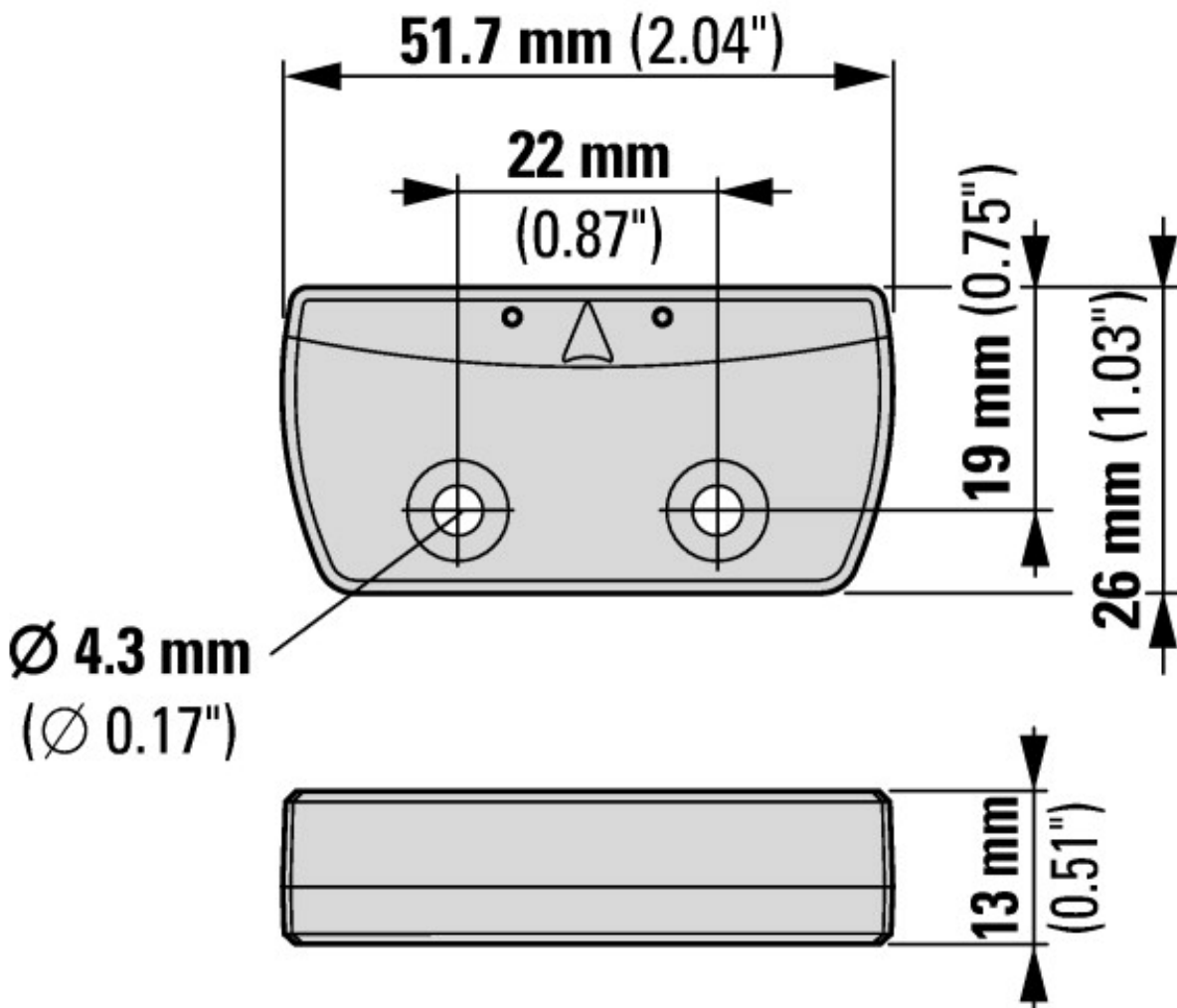
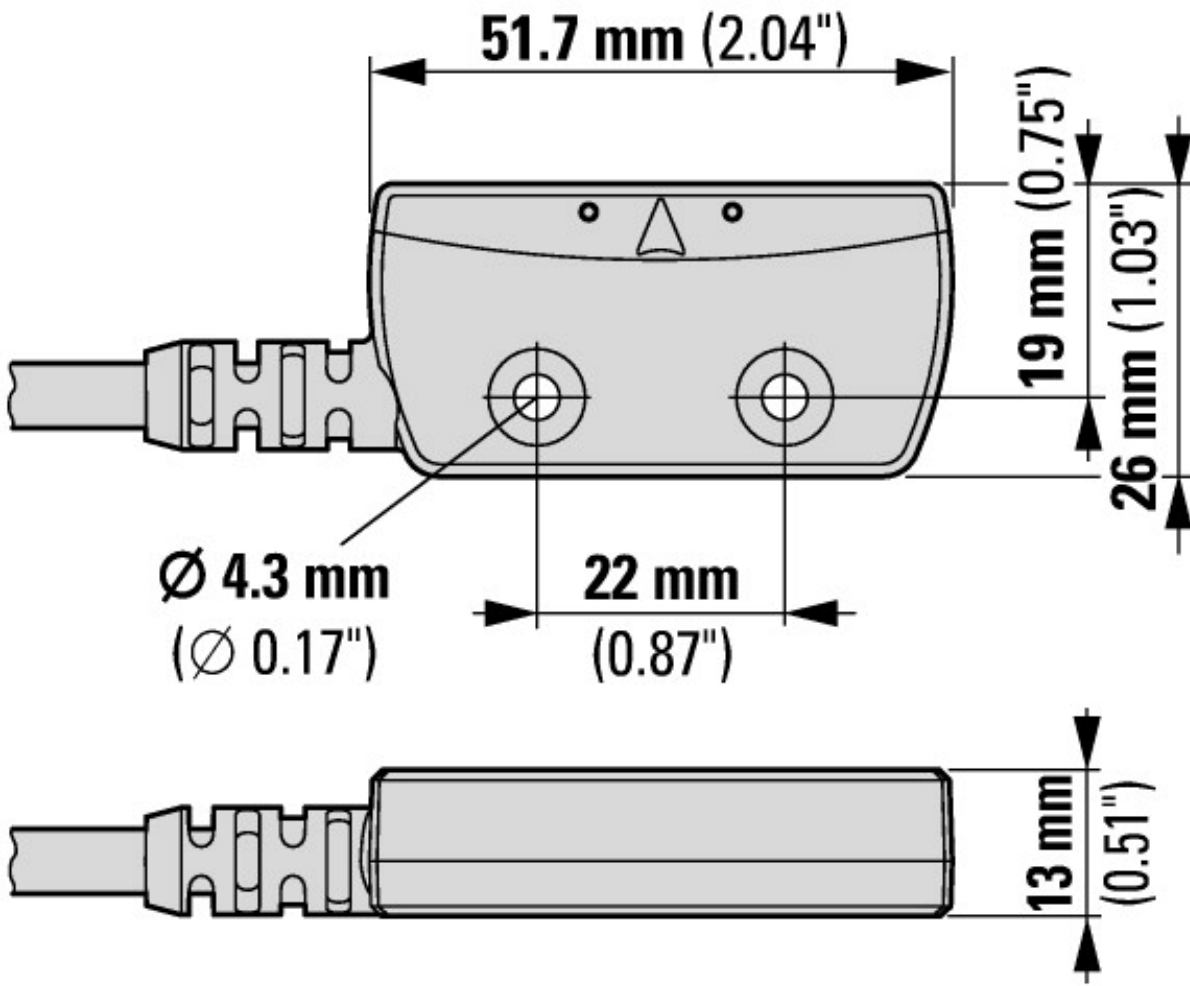
| | | |
|------------------------------------|----|----|
| Operating ambient temperature max. | °C | 55 |
|------------------------------------|----|----|

Technical data ETIM 7.0

| Sensors (EG000026) / Position switch with separate actuator (EC002592) | | |
|--|----|------------------------|
| Electric engineering, automation, process control engineering / Binary sensor technology, safety-related sensor technology / Position switch / Position switch with separate actuator (ecl@ss10.0.1-27-27-06-10 [ACN835011]) | | |
| With status indication | | No |
| Suitable for safety functions | | Yes |
| Width sensor | mm | 26 |
| Height of sensor | mm | 13 |
| Length of sensor | mm | 52 |
| Forced opening | | No |
| Number of safety auxiliary contacts | | 2 |
| Number of contacts as normally closed contact | | 2 |
| Number of contacts as normally open contact | | 1 |
| Number of contacts as change-over contact | | 0 |
| Type of switching contact | | Other |
| Rated operation current I _e at AC-15, 24 V | A | 0 |
| Rated operation current I _e at AC-15, 125 V | A | 0 |
| Rated operation current I _e at AC-15, 230 V | A | 0 |
| Rated operation current I _e at DC-13, 24 V | A | 0.3 |
| Rated operation current I _e at DC-13, 125 V | A | 0 |
| Rated operation current I _e at DC-13, 230 V | A | 0 |
| Construction type housing | | Cuboid |
| Material housing | | Plastic |
| Coating housing | | Plastic-coated |
| Type of interface | | Other |
| Type of interface for safety communication | | Other |
| Type of electric connection | | Plug-in connection M12 |
| Explosion safety category for gas | | None |
| Explosion safety category for dust | | None |
| Ambient temperature during operating | °C | 10 - 55 |
| Degree of protection (IP) | | IP67 |
| Degree of protection (NEMA) | | 6 |

Approvals

| | | |
|-----------------------------|--|--|
| Product Standards | | CE marking |
| UL File No. | | E166051 |
| UL Category Control No. | | NRKH, NRKH7 |
| CSA File No. | | UL report applies to both Canada und US |
| North America Certification | | UL listed, certified by UL for use in Canada |
| Degree of Protection | | IEC: IP67, IP69K; UL/CSA Type: - |



Assets (links)

Declaration of CE Conformity

00003111

Instruction Leaflets

IL053002ZU2018_05

Additional product information (links)

IL053002ZU RS-Titan: Reed Switch Titan

IL053002ZU RS-Titan: Reed Switch Titan

ftp://ftp.moeller.net/DOCUMENTATION/AWA_INSTRUCTIONS/IL053002ZU2018_05.pdf