



**10, 1" panel PC with capacitive multi-touch (PCT), 2xEthernet, 2xUSB3.0, 1xRS232, 1xRS485, Visual Designer Runtime**



**Part no. XP-503-10-A10-A00-1V**  
**Catalog No. 174477**  
**Alternate Catalog No. XP-503-10-A10-A00-1V**

Similar to illustration

## Delivery program

Product range			Visualisation solutions XP
Product range			XP-503
Function			Industrial PC
Description			Panel PC with capacitive multitouch display
Common features of the model series			1.65 GHz dual-core CPU Powerful graphic processor 4GB DDR3-RAM Min. 32 GB SSD min. 4 GB of CFast removable memory 2x Ethernet interface 10/100/1000 Mbps 2x USB host 3.0 1x RS232 1x RS485 1x DVI-I Windows Embedded Standard 7 Galileo Open Runtime License Approvals CE, cUL508, CUL Class 1 Div 2 in preparation
Display - Type			Color display, TFT
Touch-technology			Capacitive multi-touch technology (PCT)
Number of colours			262144 colors
Resolution		Pixel	WSVGA 1024 x 600
Portrait format			no
Screen diagonal		Inch	10.1 widescreen
Model			Die-cast aluminum enclosure and glass front in aluminum frame
Operating system			Windows Embedded Standard 7 Kit "P" (32bit) VISUAL DESIGNER Runtime License
PLC-licence			Not offered by Eaton
License certificates for onboard interfaces			Not required
built-in interfaces			2 x Ethernet 1000/100/10 Mbps 2 x USB host 3.0 1 x RS232 1 x RS485 1 x DVI-I
Front type			Tempered glass with anti-reflective coating
Utilization			Flush mounting
Slots			For CFast memory cards: 1
Memory card automation			For CFast memory cards
Pluggable communication cards (optional)			no
Touch sensor			Multi-touch touch panel
Heat dissipation		W	29

## Technical data

Display - Type			Color display, TFT
Screen diagonal		Inch	10.1 widescreen
Resolution		Pixel	WSVGA 1024 x 600
Visible screen area		mm	222.72 x 125.28
Format			16:9

Viewing range	[left/right/up/down]	° (Degrees)	70°/70°/70°/50°
Number of colours			262144 colors
Contrast ratio (Normally)			Normally 500:1
Brightness		cd/m <sup>2</sup>	Normally 550
Back-lighting			Single LED (side-light type)
Service life of back-lighting		h	Normally 50000

## Operation

Technology			Projected Capacitive Touch (PCT)
Touch sensor			Multi-touch touch panel

## System

Processor			x86, DualCore 1.65Ghz
Internal memory			4 GB of DDR3 RAM, min. 32 GB SSD
External memory			Min. 4 GB of CFast removable memory
Cooling			Fanless CPU and system cooling, natural convection-based passive cooling
Back-up of real-time clock			
Battery (service life)			Replaceable, Lithium CR2032 (220 mAh, 3V)
Backup (time at zero voltage)			Normally 5 years

## Engineering

Visualisation software			VISUAL DESIGNER
PLC-licence			Not offered by Eaton
Operating system			Windows Embedded Standard 7 Kit "P" (32bit) VISUAL DESIGNER Runtime License

## Interfaces, communication

built-in interfaces			2 x Ethernet 1000/100/10 Mbps 2 x USB host 3.0 1 x RS232 1 x RS485 1 x DVI-I
USB Host			2 x USB 3.0
RS-232			Not galvanically isolated, 9-pin D-sub plug, UNC
RS-485			Not galvanically isolated, 9-pin D-sub plug, UNC
Slots			For CFast memory cards: 1
Ethernet			10/100/1000 Mbps

## Power supply

Nominal voltage			24 V DC SELV (safety extra low voltage)
permissible voltage			18-36 V DC
Heat dissipation		W	29
Current consumption	I	A	max. 1.2 A

## General

Housing material			Aluminium die-cast
Front type			Tempered glass with anti-reflective coating
Dimensions (W x H x D)		mm	404 x 255 x 83
flush mounted			Clearance: W x H ≥ 50 mm (1.97"), T ≥ 20 mm (0.79") Inclination from vertical: # ± 10 ° (if using natural convection) Mounting plate: min. 1.5 mm (0.06"), max. 4 mm
Weight		kg	2.7
Degree of protection (IEC/EN 60529, EN50178, VBG 4)			IP65 (in the front as per EN 60529-1), IP20 (on rear as per EN 60529-1), NEMA12 (as per NEMA 250-2003)
Approvals			
Approvals certificate			cUL (UL508)
shipping classification			CE DNV GL
Applied standards and directives			
EMC			according to 2004/108/EC



Emitted interference			As per EN 55022:2010 Class A and EN 61000-6-4:2007
Interference immunity			As per EN 55024:2010 and EN 61000-6-2:2005 EN 61131-2:2007
Free fall, packaged		m	gemäß ICE/EN 60068-2-32
RoHS			conform

### Environmental conditions

Climatic environmental conditions			
Air pressure (operation)		hPa	795 - 1080
Temperature			
Storage / Transport	θ	°C	-20 - +60
Operating ambient temperature min.		°C	0
Operating ambient temperature max.		°C	+ 50
Relative humidity			
Condensation			Non-condensing
Relative humidity			10 - 90%, non condensing

### Design verification as per IEC/EN 61439

Technical data for design verification			
Static heat dissipation, non-current-dependent	P <sub>vs</sub>	W	29
Operating ambient temperature min.		°C	0
Operating ambient temperature max.		°C	50
Degree of Protection			IP65 (in the front as per EN 60529-1), IP20 (on rear as per EN 60529-1) NEMA12 (as per NEMA 250-2003)
IEC/EN 61439 design verification			
10.2 Strength of materials and parts			
10.2.2 Corrosion resistance			
			Meets the product standard's requirements.
10.2.3.1 Verification of thermal stability of enclosures			
			Meets the product standard's requirements.
10.2.3.2 Verification of resistance of insulating materials to normal heat			
			Meets the product standard's requirements.
10.2.3.3 Verification of resistance of insulating materials to abnormal heat and fire due to internal electric effects			
			Meets the product standard's requirements.
10.2.4 Resistance to ultra-violet (UV) radiation			
			Please enquire
10.2.5 Lifting			
			Does not apply, since the entire switchgear needs to be evaluated.
10.2.6 Mechanical impact			
			Does not apply, since the entire switchgear needs to be evaluated.
10.2.7 Inscriptions			
			Meets the product standard's requirements.
10.3 Degree of protection of ASSEMBLIES			
			Meets the product standard's requirements.
10.4 Clearances and creepage distances			
			Meets the product standard's requirements.
10.5 Protection against electric shock			
			Does not apply, since the entire switchgear needs to be evaluated.
10.6 Incorporation of switching devices and components			
			Does not apply, since the entire switchgear needs to be evaluated.
10.7 Internal electrical circuits and connections			
			Is the panel builder's responsibility.
10.8 Connections for external conductors			
			Is the panel builder's responsibility.
10.9 Insulation properties			
10.9.2 Power-frequency electric strength			
			Is the panel builder's responsibility.
10.9.3 Impulse withstand voltage			
			Is the panel builder's responsibility.
10.9.4 Testing of enclosures made of insulating material			
			Is the panel builder's responsibility.
10.10 Temperature rise			
			The panel builder is responsible for the temperature rise calculation. Eaton will provide heat dissipation data for the devices.
10.11 Short-circuit rating			
			Is the panel builder's responsibility.
10.12 Electromagnetic compatibility			
			Is the panel builder's responsibility.
10.13 Mechanical function			
			The device meets the requirements, provided the information in the instruction leaflet (IL) is observed.

### Technical data ETIM 7.0

PLC's (EG000024) / Panel PC (EC001414)			
Information, communication and media technology / Computer system for industrial use / Industrial PC / Panel PC (ecl@ss10.0.1-19-20-01-03 [AFR616003])			
Supply voltage AC 50 Hz		V	0 - 0
Supply voltage AC 60 Hz		V	0 - 0
Supply voltage DC		V	18 - 36

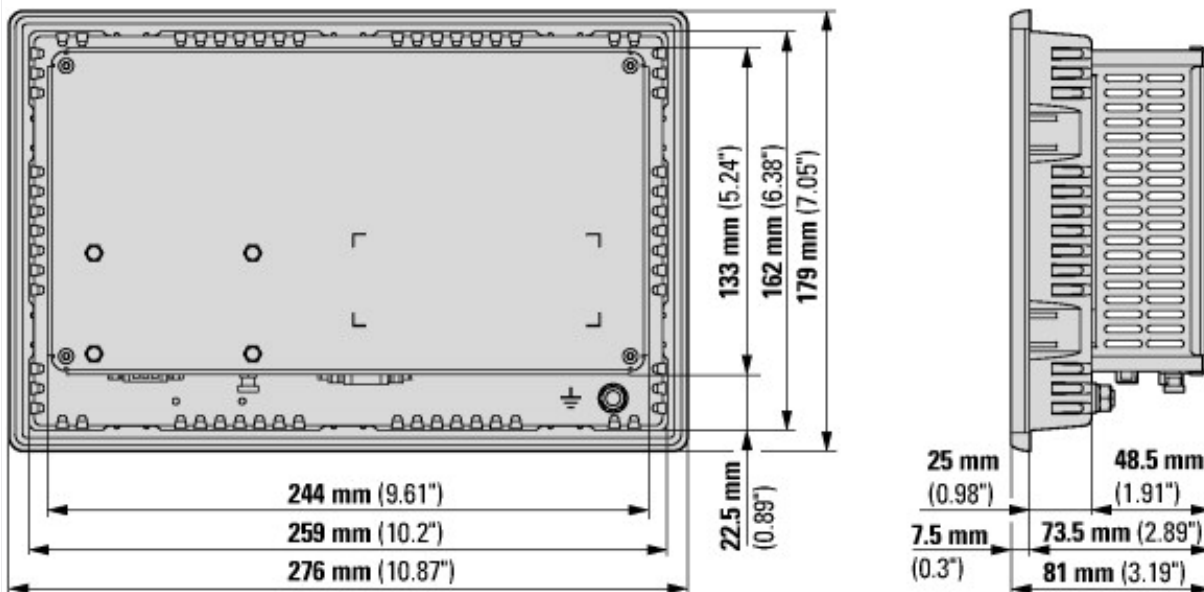
Voltage type of supply voltage		DC
Number of HW-interfaces industrial Ethernet		2
Number of interfaces PROFINET		0
Number of HW-interfaces RS-232		1
Number of HW-interfaces RS-422		0
Number of HW-interfaces RS-485		1
Number of HW-interfaces serial TTY		0
Number of HW-interfaces USB		2
Number of HW-interfaces parallel		0
Number of HW-interfaces Wireless		0
Number of HW-interfaces other		1
Number of HW-interfaces SCSI		0
Number of HW-interfaces PS2		0
Supporting protocol for PROFIBUS		No
Supporting protocol for CAN		No
Supporting protocol for INTERBUS		No
Supporting protocol for ASI		No
Supporting protocol for KNX		No
Supporting protocol for MODBUS		Yes
Supporting protocol for Data-Highway		No
Supporting protocol for DeviceNet		No
Supporting protocol for SUCONET		No
Supporting protocol for LON		No
Supporting protocol for PROFINET IO		No
Supporting protocol for PROFINET CBA		No
Supporting protocol for SERCOS		No
Supporting protocol for Foundation Fieldbus		No
Supporting protocol for EtherNet/IP		Yes
Supporting protocol for AS-Interface Safety at Work		No
Supporting protocol for DeviceNet Safety		No
Supporting protocol for INTERBUS-Safety		No
Supporting protocol for PROFIsafe		No
Supporting protocol for SafetyBUS p		No
Supporting protocol for other bus systems		Yes
Radio standard Bluetooth		No
Radio standard WLAN 802.11		No
Radio standard GPRS		No
Radio standard GSM		No
Radio standard UMTS		No
IO link master		No
Type of display		TFT
Screen diagonal	inch	10.1
Number of pixels, horizontal		1024
Number of pixels, vertical		600
Preinstalled operating system		Embedded Windows XP
Max. main memory	MB	4000
Integrated keyboard		No
Number of function buttons		0
Number of buttons with LED		0
Number of system buttons		0
With touch screen		Yes
Mouse-cursor control integrated		Yes
Degree of protection (IP), front side		IP65
Degree of protection (NEMA)		12
Operation temperature	°C	0 - 50

With hard disc		No
With CD-ROM drive		No
With DVD-drive		No
With CD-RW drive		No
With DVD RW drive		No
With floppy disc drive		No
With other storage media		No
Customer individual configuration		Yes
Number of free AGP-slots		0
Number of free PCI-slots		0
Number of free ISA-slots		0
Number of free PCMCIA-slots		0
Rail mounting possible		No
Wall mounting/direct mounting		No
Front build in possible		Yes
Rack-assembly possible		No
Mounting type, table foot		No
Mounting type, gallows mounting		No
Suitable for safety functions		No
Width of the front	mm	276
Height of the front	mm	179
Built-in depth	mm	73.5

## Approvals

Product Standards		UL508, cULus; CE
UL File No.		E205091
CSA File No.		C22.2. No. 142-M1987
North America Certification		UL listed, certified by UL for use in Canada
Specially designed for North America		No
Current Limiting Circuit-Breaker		No
Degree of Protection		IEC: IP65, UL/CSA Type: -

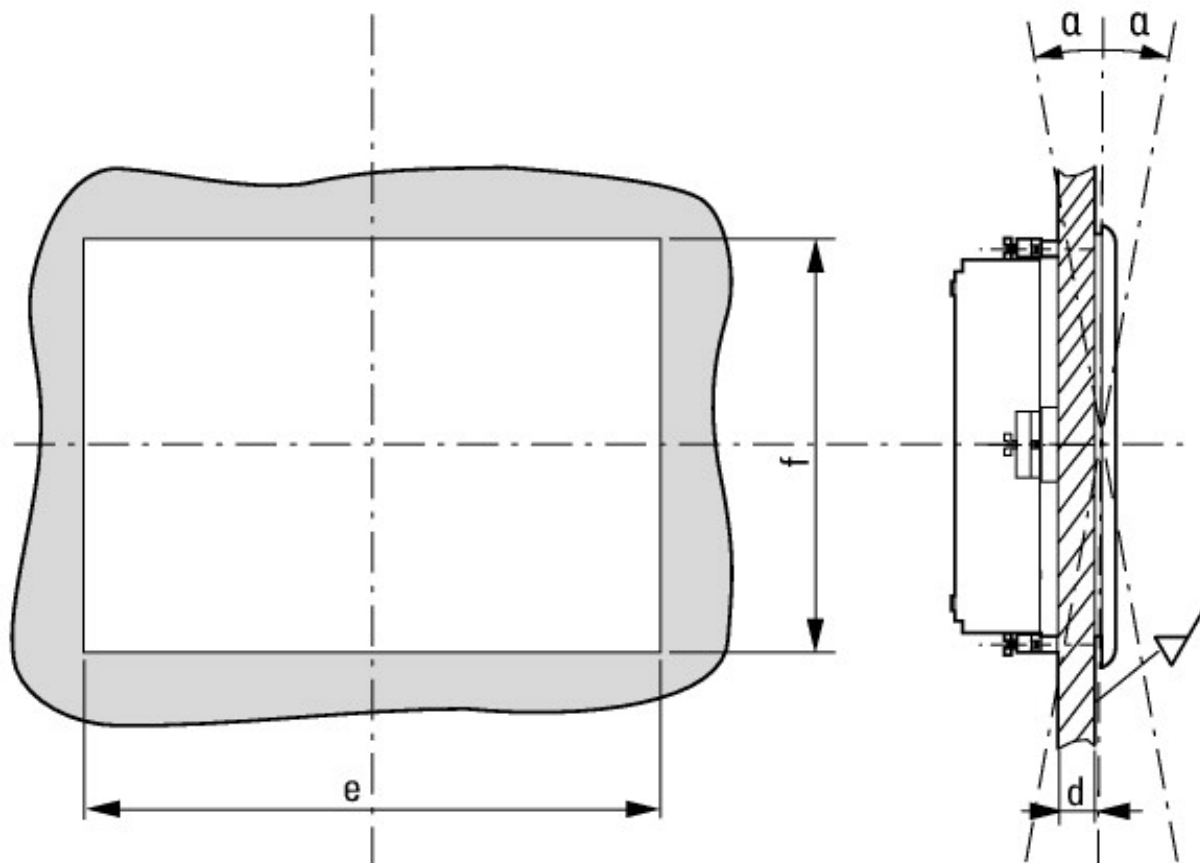
## Dimensions



XP-503 industrial PC with 10.1" screen diagonal



$a, b \geq 50 \text{ mm}, c \geq 20 \text{ mm}, 0 \leq T \leq 50 \text{ }^\circ\text{C}$



$1.5 \text{ mm} \leq d \leq 4 \text{ mm}, e = 388 \text{ mm}, f = 239 \text{ mm}, \# = 10^\circ$

## Assets (links)

### Declaration of CE Conformity

00003062

### Instruction Leaflets

IL048006ZU2018\_02

### Manuals

MN048014\_DE (German)

MN048014\_EN (English)

## Additional product information (links)

<b>Instruction leaflet XP-503 IL048006ZU</b>	
Instruction leaflet XP-503 IL048006ZU	<a href="ftp://ftp.moeller.net/DOCUMENTATION/AWA_INSTRUCTIONS/IL048006ZU2018_02.pdf">ftp://ftp.moeller.net/DOCUMENTATION/AWA_INSTRUCTIONS/IL048006ZU2018_02.pdf</a>
<b>Manual XP-503 Panel PC MN048014</b>	
Handbuch XP-503 Panel-PC MN048014 - Deutsch	<a href="ftp://ftp.moeller.net/DOCUMENTATION/AWB_MANUALS/MN048014_DE.pdf">ftp://ftp.moeller.net/DOCUMENTATION/AWB_MANUALS/MN048014_DE.pdf</a>
Manual XP-503 Panel PC MN048014 - English	<a href="ftp://ftp.moeller.net/DOCUMENTATION/AWB_MANUALS/MN048014_EN.pdf">ftp://ftp.moeller.net/DOCUMENTATION/AWB_MANUALS/MN048014_EN.pdf</a>
f1=1454&f2=1242&f3=1773;Download Software GALILEO	<a href="http://applications.eaton.eu/sdlc?LX=11&amp;f1=1454&amp;f2=1242&amp;f3=1773;Download Software GALILEO">http://applications.eaton.eu/sdlc?LX=11&amp;f1=1454&amp;f2=1242&amp;f3=1773;Download Software GALILEO</a>
Product overview (WEB)	<a href="http://www.eaton.eu/xp500">http://www.eaton.eu/xp500</a>