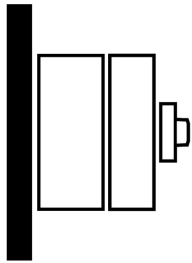
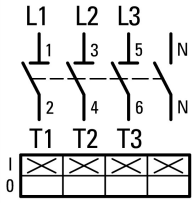




Switch-disconnector, DMM, 125 A, 4 pole, with blue knob, in CI-K5 enclosure

Part no. DMM-125/4/I5/P-B
Catalog No. 172852

Delivery program

Product range			Switch-disconnector Main switch maintenance switch
Part group reference			DMM with blue knob
Information about equipment supplied			auxiliary contact fitted by user.
Notes			in CI-K5 enclosure
Number of poles			4 pole
Auxiliary contacts			
		N/O	0
		N/C	0
Notes			1 padlock, # 5 mm
Locking facility			Lockable in the 0 (Off) position
Degree of Protection			IP65
Design			surface mounting
			
Contact sequence			
Motor rating AC-23A, 50 - 60 Hz			
400 V	P	kW	59
Rated uninterrupted current	I_u	A	125
Note on rated uninterrupted current I_u			Rated uninterrupted current I_u is specified for max. cross-section.

Technical data

General			
Standards			IEC/EN 60947, VDE 0660, IEC/EN 60204 Switch-disconnector according to IEC/EN 60947-3
Certifications			CE, RoHs, KEMA, EAC, Lloyds
Ambient temperature			
Operation	θ	°C	-25 - +60
Storage	θ	°C	-40 - +80
Overvoltage category/pollution degree			III/3
Rated impulse withstand voltage	U_{imp}	kV	6

Rated insulation voltage	U _i	V	1000
Mounting position			As required

Contacts

Mechanical variables			
Number of poles			4 pole
Auxiliary contacts			
		N/O	0
		N/C	0
Electrical characteristics			
Rated operational voltage	U _e	V AC	690
Rated uninterrupted current	I _u	A	125
Note on rated uninterrupted current I _u			Rated uninterrupted current I _u is specified for max. cross-section.
Short-circuit rating			
fuse			125
Rated conditional short-circuit current	I _q	kA	415 V: 30 690 V: 50
Breaking current		kA	13.7
max. let-through energy		kA ² s	134
Rated short-time withstand current (1 s current)	I _{cw}	A _{rms}	2500
Note on rated short-time withstand current I _{cw}			Current for a time of 1 second
Heat dissipation per pole, current-dependent	P _{vid}	W	4.5

Switching capacity

Rated breaking capacity cos φ to IEC 60947-3			
400/415 V		A	1000
500 V		A	528
690 V		A	336
Safe isolation to EN 61140			
Current heat loss per contact at I _e		W	4.5
Lifespan, mechanical	Operations		10000
AC			
AC-21A			
Rated operational current switch			
400 V 415 V	I _e	A	125
500 V	I _e	A	125
690 V	I _e	A	125
AC-22A			
Rated operational current switch			
400 V 415 V	I _e	A	125
500 V	I _e	A	125
690 V	I _e	A	125
AC-23A			
Rated operational current switch			
400 V 415 V	I _e	A	125
500 V	I _e	A	66
690 V	I _e	A	42
Motor rating AC-23A, 50 - 60 Hz			
400 V 415 V	P	kW	59
500 V	P	kW	45
690 V	P	kW	37

Terminal capacities

Flexible with ferrules to DIN 46228			
flexible		mm ²	6 - 70
Stripping length		mm	21
Tightening torque for terminal screw		Nm	7

Technical safety parameters:

Notes			B10 _q values as per EN ISO 13849-1, table C1
-------	--	--	---

Design verification as per IEC/EN 61439

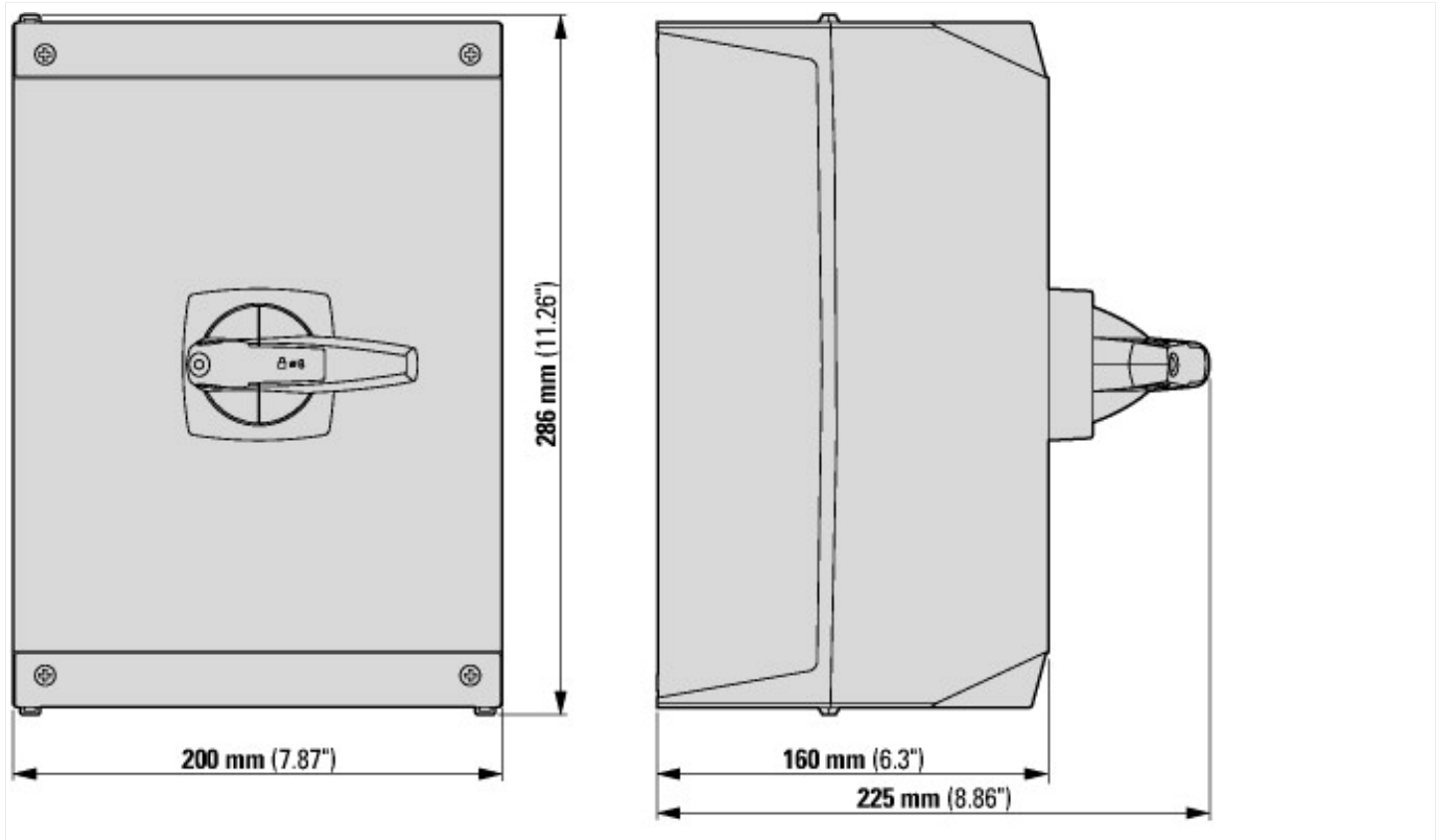
Technical data for design verification			
Rated operational current for specified heat dissipation	I _n	A	125
Heat dissipation per pole, current-dependent	P _{vid}	W	4.5
Equipment heat dissipation, current-dependent	P _{vid}	W	0
Static heat dissipation, non-current-dependent	P _{vs}	W	0
Heat dissipation capacity	P _{diss}	W	0
Operating ambient temperature min.		°C	-25
Operating ambient temperature max.		°C	40
IEC/EN 61439 design verification			
10.2 Strength of materials and parts			
10.2.2 Corrosion resistance			
10.2.3.1 Verification of thermal stability of enclosures			
10.2.3.2 Verification of resistance of insulating materials to normal heat			
10.2.3.3 Verification of resistance of insulating materials to abnormal heat and fire due to internal electric effects			
10.2.4 Resistance to ultra-violet (UV) radiation			
10.2.5 Lifting			
10.2.6 Mechanical impact			
10.2.7 Inscriptions			
10.3 Degree of protection of ASSEMBLIES			
10.4 Clearances and creepage distances			
10.5 Protection against electric shock			
10.6 Incorporation of switching devices and components			
10.7 Internal electrical circuits and connections			
10.8 Connections for external conductors			
10.9 Insulation properties			
10.9.2 Power-frequency electric strength			
10.9.3 Impulse withstand voltage			
10.9.4 Testing of enclosures made of insulating material			
10.10 Temperature rise			
10.11 Short-circuit rating			
10.12 Electromagnetic compatibility			
10.13 Mechanical function			

Technical data ETIM 7.0

Low-voltage industrial components (EG000017) / Switch disconnecter (EC000216)			
Electric engineering, automation, process control engineering / Low-voltage switch technology / Off-load switch, circuit breaker, control switch / Switch disconnecter (ec@ss10.0.1-27-37-14-03 [AKF060013])			
Version as main switch			Yes
Version as maintenance-/service switch			Yes
Version as safety switch			No
Version as emergency stop installation			No
Version as reversing switch			No
Number of switches			1
Max. rated operation voltage U _e AC		V	690
Rated operating voltage		V	690 - 690
Rated permanent current I _u		A	125
Rated permanent current at AC-23, 400 V		A	125
Rated permanent current at AC-21, 400 V		A	125

Rated operation power at AC-3, 400 V	kW	0
Rated short-time withstand current Icw	kA	2.5
Rated operation power at AC-23, 400 V	kW	0
Switching power at 400 V	kW	0
Conditioned rated short-circuit current Iq	kA	50
Number of poles		4
Number of auxiliary contacts as normally closed contact		0
Number of auxiliary contacts as normally open contact		0
Number of auxiliary contacts as change-over contact		0
Motor drive optional		No
Motor drive integrated		No
Voltage release optional		No
Device construction		Complete device in housing
Suitable for ground mounting		Yes
Suitable for front mounting 4-hole		No
Suitable for front mounting centre		No
Suitable for distribution board installation		No
Suitable for intermediate mounting		No
Colour control element		Other
Type of control element		Short thumb-grip
Interlockable		Yes
Type of electrical connection of main circuit		Screw connection
Degree of protection (IP), front side		IP65
Degree of protection (NEMA)		Other

Dimensions



Assets (links)

Declaration of CE Conformity

00003270

Instruction Leaflets

IL008006ZU2018_05

Additional product information (links)

IL008006Z Switch-disconnectors

IL008006Z Switch-disconnectors

ftp://ftp.moeller.net/DOCUMENTATION/AWA_INSTRUCTIONS/IL008006ZU2018_05.pdf