

Cable adapter, Metal, M18 sensors

Part no. **E57KC18**  
 Catalog No. **136185**  
 Alternate Catalog No. **E57KC18**

### Delivery program

Basic function			Accessories
Accessories			Conduit adapter
Material			Metal
<b>For use with</b>			
For use with			M18 sensors

### Design verification as per IEC/EN 61439

Technical data for design verification			
Operating ambient temperature min.		°C	-25
Operating ambient temperature max.		°C	70

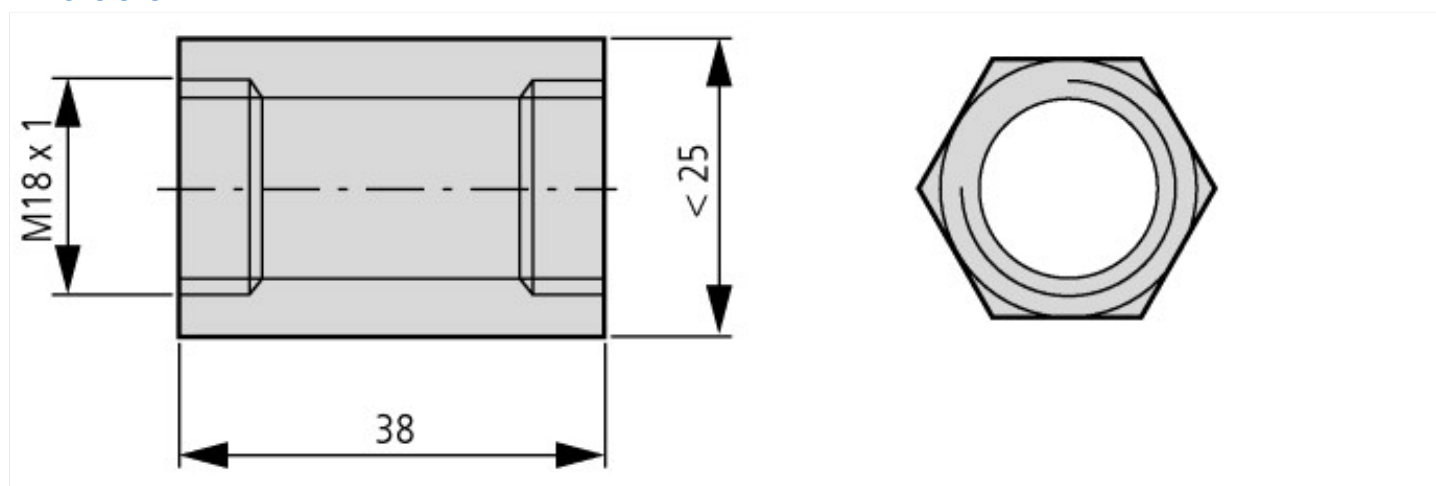
### Technical data ETIM 7.0

Sensors (EG000026) / Accessories for position switches (EC002594)			
Electric engineering, automation, process control engineering / Binary sensor technology, safety-related sensor technology / Position switch / Position switch (accessories) (ecl@ss10.0.1-27-27-06-92 [AFR520003])			
Type of accessory			Other

### Approvals

Product Standards			none
-------------------	--	--	------

### Dimensions



### Assets (links)

**Declaration of CE Conformity**

00003158