



Proximity switch, E57 Global Series, 1 N/O, 2-wire, 20 - 250 V AC, M30 x 1.5 mm, S_n= 15 mm, Non-flush, Metal, 2 m connection cable



Powering Business Worldwide™

Part no. E57-30GU15-A
Catalog No. 135979
Alternate Catalog No. E57-30GU15-A

Delivery program

Basic function			Inductive Sensors
Product range			E57 Global Series
Connection			2-wire
Design (outer dimensions)		mm	M30 x 1.5
Rated operational voltage	U _e		20 - 250 V AC
Rated switching distance	S _n	mm	15
Type of mounting			Non-flush
For connection of:			2 m connection cable
Contacts			
N/O = Normally open			1 N/O
Material			Metal
Degree of Protection			IP67, IP69

Technical data

General

Standards			IEC/EN 60947-5-2
Ambient temperature			-25 - +70
Mechanical shock resistance		g	30 Shock duration 11 ms
Degree of Protection			IP67, IP69

Characteristics

Rated switching distance			
Rated switching distance	S _n	mm	15
Repetition accuracy of S _n		%	3
Temperature drift of S _n		%	10
Switching hysteresis of S _n		%	15
Rated operational voltage	U _e		20 - 250 V AC
Maximum load current	I _e	mA	< 200
Voltage drop at I _e	U _d	V	8
Switching Frequency		Hz	25
Min. load current	I _e	mA	5
Residual current through the load in the blocked state at 230 V AC and 24 V DC	I _r	mA	1.8
Switching state display		LED	Red
Connection			2-wire
Contacts			
N/O = Normally open			1 N/O
Style			
Design (outer dimensions)		mm	M30 x 1.5
For connection of:			2 m connection cable
Material			Metal

Design verification as per IEC/EN 61439

Technical data for design verification			
Operating ambient temperature min.		°C	-25
Operating ambient temperature max.		°C	70

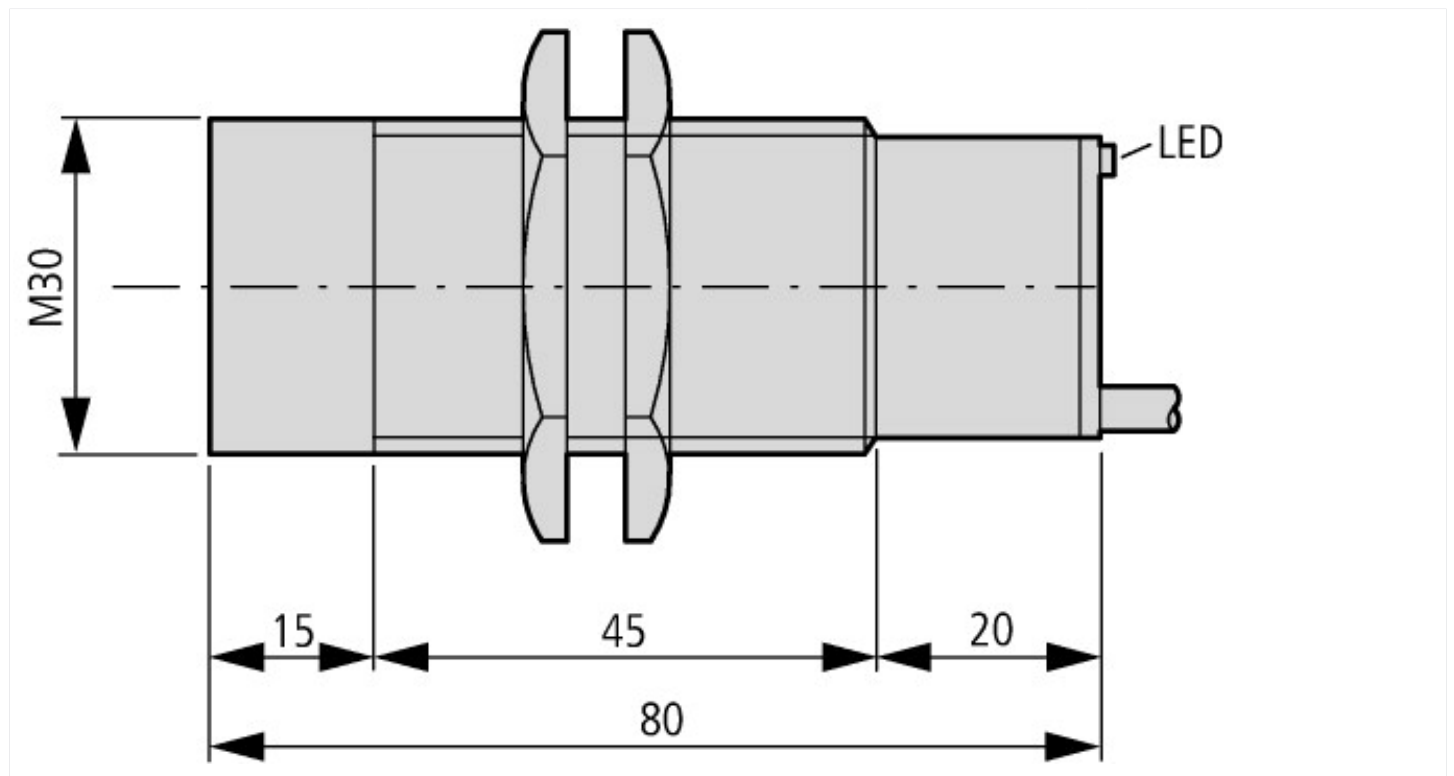
Technical data ETIM 7.0

Sensors (EG000026) / Inductive proximity switch (EC002714)		
Electric engineering, automation, process control engineering / Binary sensor technology, safety-related sensor technology / Proximity switch / Inductive proximity switch (ecI@ss10.0.1-27-27-01-01 [AGZ376015])		
Width sensor	mm	0
Height of sensor	mm	0
Length of sensor	mm	80
Diameter sensor	mm	30
Mechanical mounting condition for sensor		Not flat
Switching distance	mm	15
Suitable for safety functions		No
Type of switch function		Normally open contact
Type of switching output		Two-wire
Type of electric connection		Cable
Number of semiconductor outputs with signalling function		1
Number of contact energized outputs with signalling function		0
Number of protected semiconductor outputs		0
Number of protected contact energized outputs		0
Type of actuation		Metallic Target
Type of interface		None
Type of interface for safety communication		None
Construction type housing		Cylinder, screw-thread
Coating housing		Other
Cascadable		No
Category according to EN 954-1		B
SIL according to IEC 61508		None
Performance level acc. EN ISO 13849-1		None
Max. output current at protected output	mA	0
Supply voltage	V	20 - 250
Rated control supply voltage Us at AC 50HZ	V	20 - 250
Rated control supply voltage Us at AC 60HZ	V	20 - 250
Rated control supply voltage Us at DC	V	0 - 0
Voltage type		AC
Switching frequency	Hz	25
With monitoring function downstream switching devices		No
Material housing		Metal
Compression-resistant		No
Explosion safety category for gas		None
Explosion safety category for dust		None
Interference resistance to magnetic fields		

Approvals

Product Standards		UL 508; CSA-C22.2 No. 14; IEC60947-5-2; CE marking
UL File No.		CSA report applies to both Canada and US
UL Category Control No.		-
CSA File No.		224447
CSA Class No.		4652-04 / 4652-84
North America Certification		CSA certified, certified by CSA for use in the US
Max. Voltage Rating		250 V AC
Degree of Protection		IEC: IP67, IP69K; UL/CSA Type: -

Dimensions



Assets (links)

Declaration of CE Conformity

00003158

Instruction Leaflets

IL05301002Z2018_05

Additional product information (links)

IL05301002Z Global Series Inductive Sensors

IL05301002Z Global Series Inductive Sensors ftp://ftp.moeller.net/DOCUMENTATION/AWA_INSTRUCTIONS/IL05301002Z2018_05.pdf