



Proximity switch, capacitive, Sn=8mm, 1 N/C, 3L, NPN, M18, insulated material, line 2m

**Part no.** E53KBL18T110  
**Catalog No.** 134795  
**Alternate Catalog No.** E53KBL18T110

### Delivery program

Basic function			Capacitive sensors
Product range			E53 Capacitive Series
Connection			3-wire
Design (outer dimensions)		mm	M18 x 1
Rated operational voltage	$U_e$		10 - 30 V DC
Rated switching distance	$S_n$	mm	8
Type of mounting			Flush
Switching type			NPN
For connection of:			2 m connection cable
<b>Contacts</b>			
N/C = Normally closed			1 NC
Material			Insulated material
Degree of Protection			IP65

### Technical data

#### General

Standards			IEC/EN 60947-5-2-EMC
Ambient temperature			-25 - +70
Mechanical shock resistance		g	30 Shock duration 11 ms
Degree of Protection			IP65

#### Characteristics

Rated switching distance			
Rated switching distance	$S_n$	mm	8
Repetition accuracy of $S_n$		%	10
Temperature drift of $S_n$		%	10
Switching hysteresis of $S_n$		%	20
Rated operational voltage	$U_e$		10 - 30 V DC
Residual ripple of $U_e$		%	10
Maximum load current	$I_e$	mA	< 300
Operating current in the switched state at 24 V DC	$I_b$	mA	10
Voltage drop at $I_e$	$U_d$	V	2
Switching Frequency		Hz	250
Residual current through the load in the blocked state at 230 V AC and 24 V DC	$I_r$	mA	0.1
Switching state display		LED	Red
Protective functions			Short-circuit protective device Protection against polarity reversal Protection against wire breakage
Connection			3-wire
Contacts			
N/C = Normally closed			1 NC
Style			
Design (outer dimensions)		mm	M18 x 1
For connection of:			2 m connection cable
Material			Insulated material

## Design verification as per IEC/EN 61439

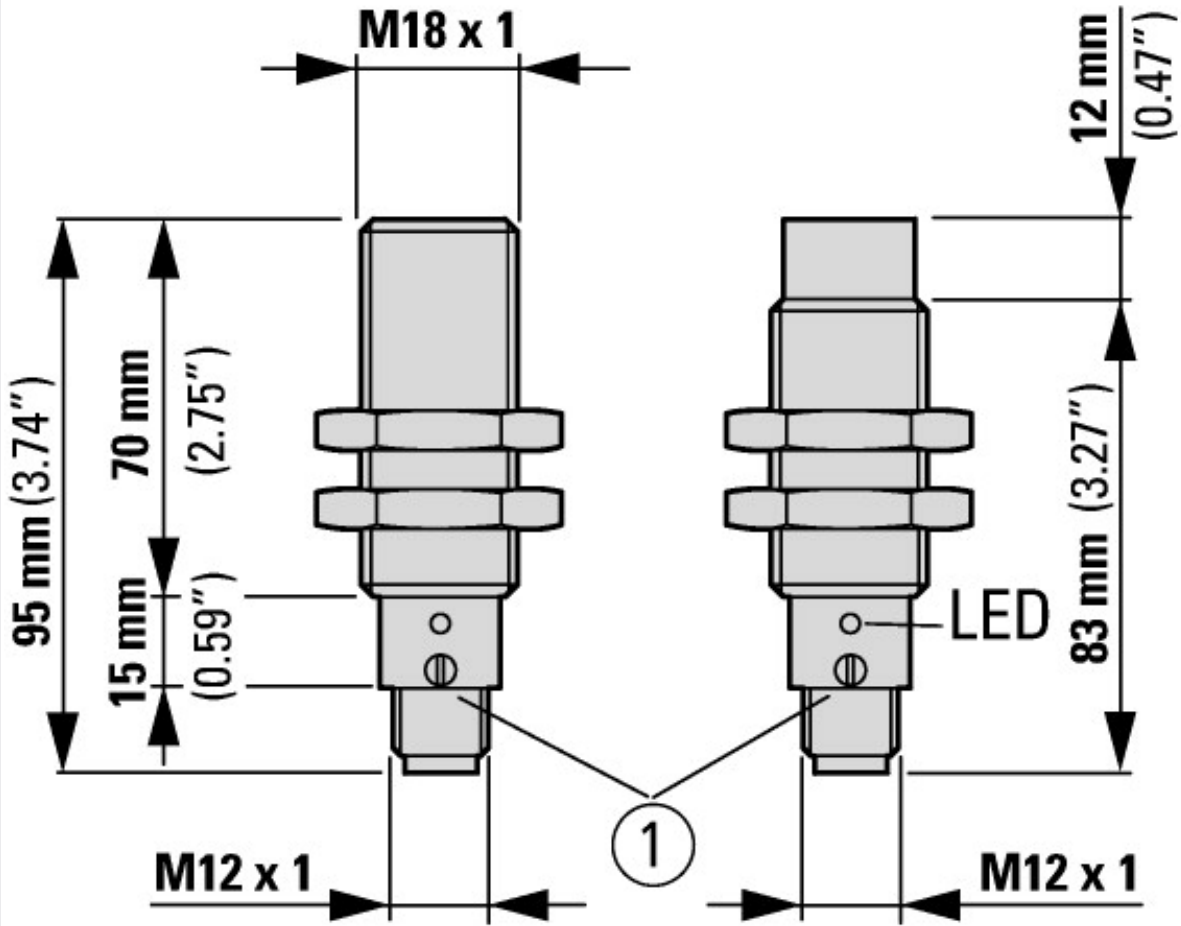
Technical data for design verification		
Operating ambient temperature min.	°C	-25
Operating ambient temperature max.	°C	70

## Technical data ETIM 7.0

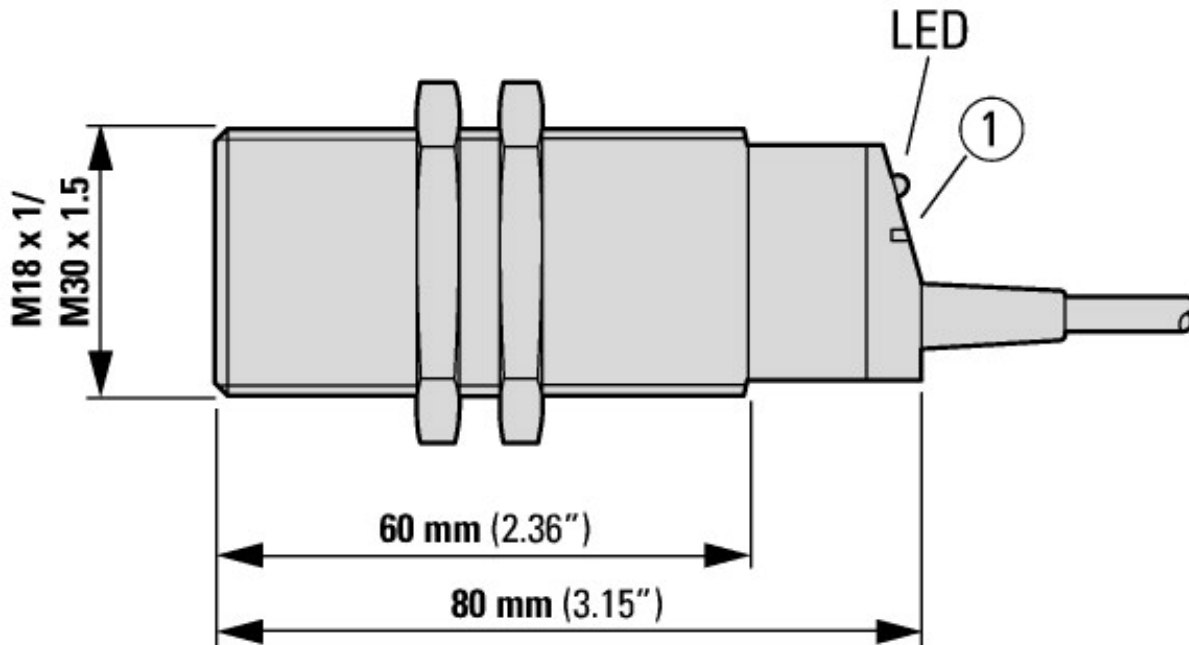
Sensors (EG000026) / Capacitive proximity switch (EC002715)		
Electric engineering, automation, process control engineering / Binary sensor technology, safety-related sensor technology / Proximity switch / Capacitive proximity switch (ecl@ss10.0.1-27-27-01-02 [AGZ377015])		
Width sensor	mm	0
Height of sensor	mm	0
Length of sensor	mm	80
Diameter sensor	mm	18
Mechanical mounting condition for sensor		Concise
Switching distance	mm	8
Suitable for safety functions		No
Type of switch function		Breaker contact
Type of switching output		NPN
Type of electric connection		Cable
Number of semiconductor outputs with signalling function		1
Number of contact energized outputs with signalling function		0
Number of protected semiconductor outputs		0
Number of protected contact energized outputs		0
Type of actuation		Other
Type of interface		None
Type of interface for safety communication		None
Construction type housing		Cylinder, screw-thread
Coating housing		Other
Cascadable		No
Category according to EN 954-1		B
SIL according to IEC 61508		None
Performance level acc. EN ISO 13849-1		None
Max. output current at protected output	mA	0
Supply voltage	V	10 - 30
Rated control supply voltage Us at AC 50HZ	V	0 - 0
Rated control supply voltage Us at AC 60HZ	V	0 - 0
Rated control supply voltage Us at DC	V	10 - 30
Voltage type		DC
Switching frequency	Hz	250
With monitoring function downstream switching devices		No
With status indication		Yes
Material housing		Plastic
Compression-resistant		No
Explosion safety category for gas		None
Explosion safety category for dust		None

## Approvals

Product Standards		CE marking
Max. Voltage Rating		250 V AC, 30 V DC
Degree of Protection		IEC: IP65; UL/CSA: NEMA 4, 12, 13



① Sensitivity setting



## Assets (links)

### Declaration of CE Conformity

00003141

### Instruction Leaflets

IL05307002Z2018\_05

## Additional product information (links)

### IL05307002Z E53 Series Capacitive Sensors

IL05307002Z E53 Series Capacitive Sensors [ftp://ftp.moeller.net/DOCUMENTATION/AWA\\_INSTRUCTIONS/IL05307002Z2018\\_05.pdf](ftp://ftp.moeller.net/DOCUMENTATION/AWA_INSTRUCTIONS/IL05307002Z2018_05.pdf)