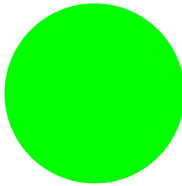
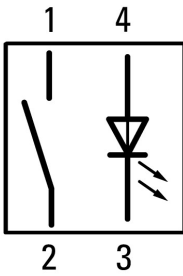





**Illuminated pushbutton actuator, Flat, maintained, 1 N/O, Screw connection, LED green, Without button plate, 120 V AC, Bezel: titanium**

**Part no.** C22-DRL-XG-K10-120  
**Catalog No.** 132585  
**Alternate Catalog No.** C22-DRL-XG-K10-120

### Delivery program

|  |  |  |  |
|--|--|--|--|
| Product range  |  |  | RMQ Compact  |
| Basic function   |  |  | Illuminated pushbutton actuators   |
| Single unit/Complete unit  |  |  | Complete unit  |
| Design   |  |  | Flat   |
|  |  |  | maintained   |
| Connection type  |  |  | Screw connection   |
| <b>Colour</b>  |  |  |  |
| LED  |  |  |    |
| LED  |  |  | green  |
| <b>Button plate</b>  |  |  |  |
| button plate   |  |  | Without button plate   |
| Rated operational voltage LED  |  |  | 120 V AC   |
| Degree of Protection   |  |  | IP66, IP67, IP69   |
| Front ring   |  |  | Bezel: titanium  |
| Connection to SmartWire-DT   |  |  | no   |
| <b>Contacts</b>  |  |  |  |
| N/O = Normally open  |  |  | 1 N/O  |
| Contact sequence   |  |  |  |
| <b>Contact travel</b> <input checked="" type="checkbox"/> = Contact closed <input type="checkbox"/> = Contact open |  |  |  |
| Contact diagram  |  |  |  |

### Technical data

|                      |              |               |  |
|----------------------|--------------|---------------|--|
| <b>General</b>       |              |               |  |
| Standards            |              |               | IEC/EN 60947-5-1<br>VDE 0660   |
| Lifespan, mechanical | Operations   | $\times 10^6$ | > 1  |
| Operating frequency  | Operations/h |               | $\leq 3600$  |
| Actuating force      |              | n             | $\leq 5$   |
| Climatic proofing    |              |               | Damp heat, constant, to IEC 60068-2-78<br>Damp heat, cyclic, to IEC 60068-2-30 |
| Degree of Protection |              |               | IP66, IP67, IP69   |
| Ambient temperature  |              |               |  |

|                                      |                 |                 |
|--------------------------------------|-----------------|-----------------|
| Open                                 | °C              | -25 - +70       |
| Storage                              | °C              | - -30 - + 80    |
| Mounting position                    |                 | As required     |
| Terminal capacities                  | mm <sup>2</sup> |                 |
| Solid                                | mm <sup>2</sup> | 2 x 0.5 - 1.5_x |
| Flexible with ferrule                | mm <sup>2</sup> | 2 x 0.5 - 1.5_x |
| Tightening torque for terminal screw | Nm              | 0.8             |

## Contacts

|   |                  |                   |               |
|---|------------------|-------------------|---------------|
| Rated impulse withstand voltage         | U <sub>imp</sub> | V AC              | 4000          |
| Rated insulation voltage                | U <sub>i</sub>   | V                 | 250           |
| Rated conditional short-circuit current | I <sub>q</sub>   | kA                | 1             |
| Overvoltage category/pollution degree   |                  |                   | III/3         |
| Control circuit reliability             |                  |                   |               |
| at 24 V DC/5 mA                         | H <sub>F</sub>   | Fault probability | values follow |
| at 5 V DC/1 mA                          | H <sub>F</sub>   | Fault probability | values follow |
| Max. short-circuit protective device    |                  |                   |               |
| Fuse                                    | gG/gL            | A                 | 10            |

## Design verification as per IEC/EN 61439

|  |    |  |     |
|--|----|--|-----|
| Technical data for design verification |    |  |     |
| Operating ambient temperature min.     | °C |  | -25 |
| Operating ambient temperature max.     | °C |  | 70  |

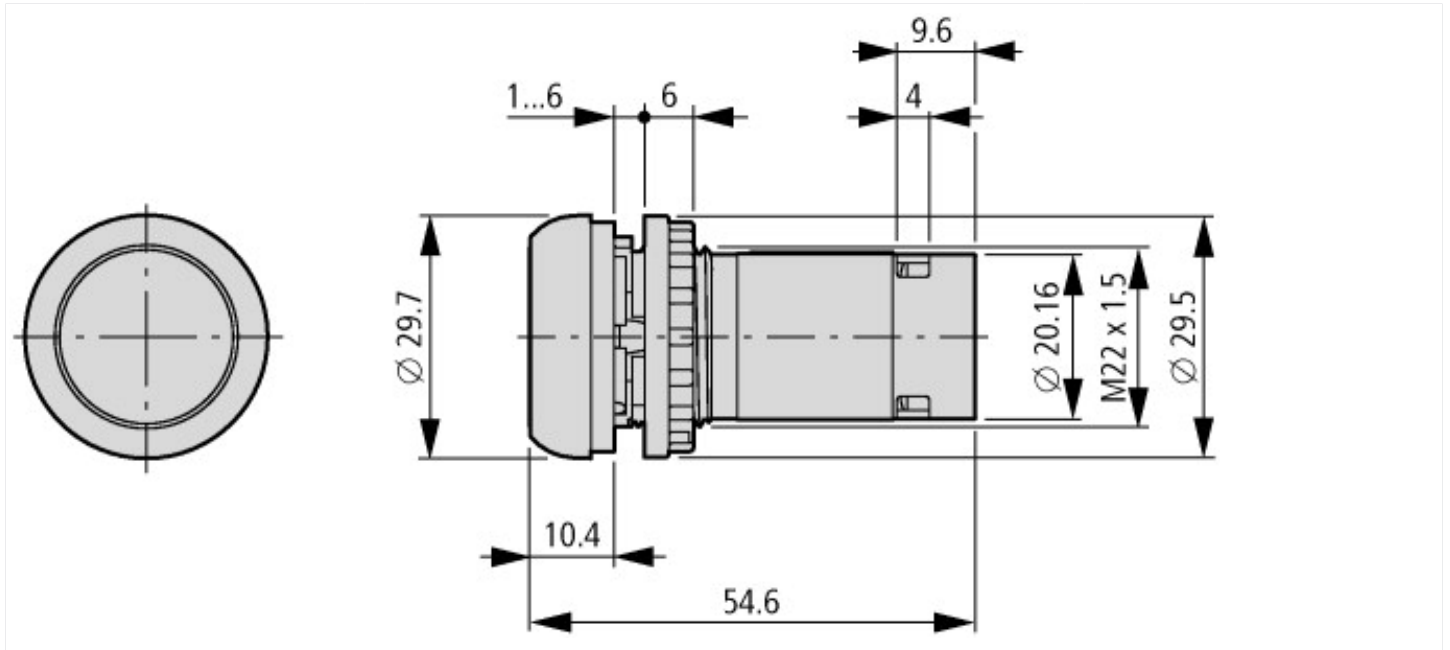
## Technical data ETIM 7.0

|   |    |  |                      |
|---|----|--|----------------------|
| Low-voltage industrial components (EG000017) / Push button, complete (EC001028)   |    |  |                      |
| Electric engineering, automation, process control engineering / Low-voltage switch technology / Command and alarm device / Push-button actuator, complete unit (ecl@ss10.0.1-27-37-12-28 [AKF046014]) |    |  |                      |
| Number of command positions   |    |  | 1                    |
| Type of button  |    |  | Flat                 |
| Colour button   |    |  | Without button plate |
| Construction type lens  |    |  | Round                |
| Hole diameter   | mm |  | 22.5                 |
| Width opening   | mm |  | 0                    |
| Height opening  | mm |  | 0                    |
| Suitable for illumination   |    |  | Yes                  |
| Switching function latching   |    |  | Yes                  |
| Spring-return   |    |  | No                   |
| Supply voltage lamp   | V  |  | 120                  |
| Number of contacts as normally open contact   |    |  | 1                    |
| Number of contacts as normally closed contact   |    |  | 0                    |
| Number of contacts as change-over contact   |    |  | 0                    |
| Type of electric connection   |    |  | Screw connection     |
| With front ring   |    |  | Yes                  |
| Material front ring   |    |  | Plastic              |
| Colour front ring   |    |  | Other                |
| Degree of protection (IP)   |    |  | Other                |
| Degree of protection (NEMA)   |    |  |                      |

## Approvals

|                         |  |  |  |
|-------------------------|--|--|--|
| Product Standards       |  |  | IEC/EN 60947-5-1; UL 508; CAN/CSA-C22.2 No. 14-05 und 94-M91; CE marking |
| UL File No.             |  |  | E29184   |
| UL Category Control No. |  |  | NKCR   |
| CSA File No.            |  |  | 165628   |
| CSA Class No.           |  |  | 321103   |

## Dimensions



## Additional product information (links)

IL04716025Z RMQ-Titan: compact programm

IL04716025Z RMQ-Titan: compact programm [https://es-assets.eaton.com/DOCUMENTATION/AWA\\_INSTRUCTIONS/IL04716025Z2021\\_05.pdf](https://es-assets.eaton.com/DOCUMENTATION/AWA_INSTRUCTIONS/IL04716025Z2021_05.pdf)