



**Flat cable, SmartWire-DT, 10 m, 8-Pole, prefabricated with 2 blade terminals SWD4-8MF2**



**Part no. SWD4-10LF8-24-2S**  
**Catalog No. 116029**

**EL-Nummer 4519786**  
**(Norway)**

Similar to illustration

## Delivery program

Product range			SmartWire-DT accessories
Basic function			SWD ribbon cable
Function			For connecting the SmartWire-DT modules within the control panel
Description			8 pole prefabricated with two blade terminals SWD4-8MF2
Length		m	10
Note regarding length			1 off
Connection to SmartWire-DT			yes
For use with			EU5C-SWD... EU5E-SWD... M22-SWD... DIL-SWD...
Protection type (IEC/EN 60529, EN50178, VBG 4)			IP20

## Technical data

### General

Approvals			UL CSA
-----------	--	--	-----------

### Ambient conditions, mechanical

Protection type (IEC/EN 60529, EN50178, VBG 4)			IP20
--	--	--	------

### Climatic environmental conditions

Operating ambient temperature (IEC 60068-2)		°C	
Operating ambient temperature max.		°C	+ 55
Condensation			Take appropriate measures to prevent condensation
Relative humidity, non-condensing (IEC/EN 60068-2-30)		%	5 - 95

## Design verification as per IEC/EN 61439

Technical data for design verification			
Rated operational current for specified heat dissipation	$I_n$	A	0
Heat dissipation per pole, current-dependent	$P_{vid}$	W	0
Equipment heat dissipation, current-dependent	$P_{vid}$	W	0
Static heat dissipation, non-current-dependent	$P_{vs}$	W	0
Heat dissipation capacity	$P_{diss}$	W	0
Operating ambient temperature min.		°C	-25
Operating ambient temperature max.		°C	55
Degree of Protection			IP20
IEC/EN 61439 design verification			
10.2 Strength of materials and parts			
10.2.2 Corrosion resistance			
10.2.2.1 Verification of thermal stability of enclosures			Meets the product standard's requirements.
10.2.3.2 Verification of resistance of insulating materials to normal heat			Meets the product standard's requirements.
10.2.3.3 Verification of resistance of insulating materials to abnormal heat and fire due to internal electric effects			Meets the product standard's requirements.
10.2.4 Resistance to ultra-violet (UV) radiation			Meets the product standard's requirements.
10.2.5 Lifting			Does not apply, since the entire switchgear needs to be evaluated.
10.2.6 Mechanical impact			Does not apply, since the entire switchgear needs to be evaluated.
10.2.7 Inscriptions			Meets the product standard's requirements.

10.3 Degree of protection of ASSEMBLIES		Meets the product standard's requirements.
10.4 Clearances and creepage distances		Meets the product standard's requirements.
10.5 Protection against electric shock		Does not apply, since the entire switchgear needs to be evaluated.
10.6 Incorporation of switching devices and components		Does not apply, since the entire switchgear needs to be evaluated.
10.7 Internal electrical circuits and connections		Is the panel builder's responsibility.
10.8 Connections for external conductors		Is the panel builder's responsibility.
10.9 Insulation properties		
10.9.2 Power-frequency electric strength		Is the panel builder's responsibility.
10.9.3 Impulse withstand voltage		Is the panel builder's responsibility.
10.9.4 Testing of enclosures made of insulating material		Is the panel builder's responsibility.
10.10 Temperature rise		The panel builder is responsible for the temperature rise calculation. Eaton will provide heat dissipation data for the devices.
10.11 Short-circuit rating		Is the panel builder's responsibility.
10.12 Electromagnetic compatibility		Is the panel builder's responsibility.
10.13 Mechanical function		The device meets the requirements, provided the information in the instruction leaflet (IL) is observed.

## Technical data ETIM 7.0

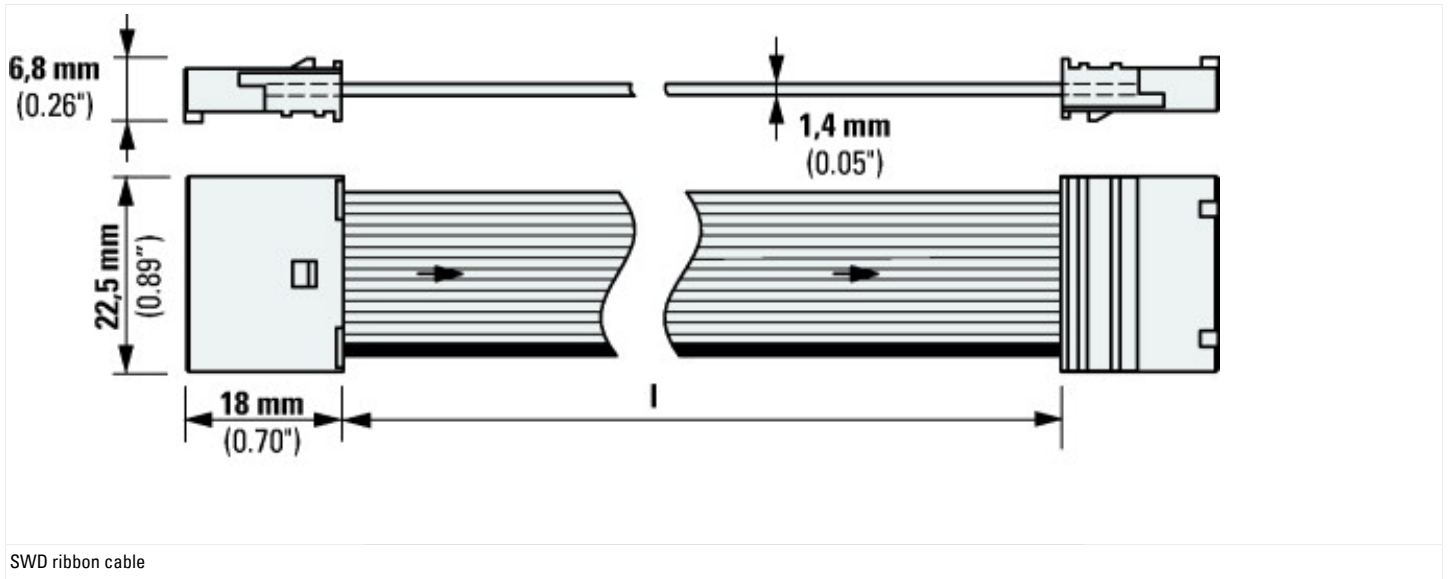
Cables (EG000001) / Data and communication cable (copper) (EC003249)		
Conductor surface		Tinned
Diameter conductor	mm	1.35
Nominal cross section conductor	mm <sup>2</sup>	0.23
AWG-size		24
Conductor category		Class 2 = stranded
Number of cores		8
Number of stranding elements		0
Stranding element		No
Core insulation material		Polyvinyl chloride (PVC)
Specification core insulation		Other
Core identification		Colour
Screen over stranding element		None
Stranding		Other
Screen over stranding		None
Longitudinal water blocking cable		No
Radial water blocking cable		No
Protective sheath		Other
Armouring		No
Material outer sheath		Polyvinyl chloride (PVC)
Specification material outer sheath		Other
Colour outer sheath		Green
Reaction-to-fire class according to EN 13501-6		None
Smoke development class according to EN 13501-6		None
Euro class flaming droplets/particles according to EN 13501-6		None
Euro class acidity according to EN 13501-6		None
Halogen free (acc. EN 60754-1/2)		No
Halogen free (acc. IEC 60754-2)		No
Flame retardant		In accordance with EN 60332-1-2
Low smoke (acc. EN 61034-2)		No
Low smoke (acc. IEC 61034-2)		No
Oil resistant (acc. EN 60811-404)		No
Oil resistant (acc. IEC 60811-404)		No
Insulation integrity in accordance with IEC 60331		No
Circuit integrity		No
Outer diameter approx.	mm	17.5
Min. permitted bending radius, moving application with forced guidance	mm	15
Min. permitted bending radius, moving application/free movement	mm	15

Min. permitted bending radius, stationary application/permanent installation	mm	7.5
Permitted cable outer temperature during assembling/handling	°C	-10 - 105
Permitted cable outer temperature after assembling without vibration	°C	-30 - 105
Category		Other
NVP value	%	66.7
Underground installation		No
UV resistant		No

## Approvals

UL File No.		E29184
UL Category Control No.		NKCR
CSA File No.		2324643
CSA Class No.		3211-07
North America Certification		UL listed, CSA certified
Specially designed for North America		No

## Dimensions



## Assets (links)

### Declaration of CE Conformity

00003097

### Instruction Leaflets

IL04716001Z2018\_02

### Manuals

MN05006002Z\_DE (German)

MN05006002Z\_EN (English)

MN05006002Z\_IT (Italian)

## Additional product information (links)

### Instruction leaflet "SWD4...: wiring material and accessories" IL04716001Z

Instruction leaflet "SWD4...: wiring material and accessories" IL04716001Z [ftp://ftp.moeller.net/DOCUMENTATION/AWA\\_INSTRUCTIONS/IL04716001Z2018\\_02.pdf](ftp://ftp.moeller.net/DOCUMENTATION/AWA_INSTRUCTIONS/IL04716001Z2018_02.pdf)

### SmartWire-DT manual, The System MN05006002Z

Handbuch SmartWire-DT, Das System MN05006002Z - Deutsch [ftp://ftp.moeller.net/DOCUMENTATION/AWB\\_MANUALS/MN05006002Z\\_DE.pdf](ftp://ftp.moeller.net/DOCUMENTATION/AWB_MANUALS/MN05006002Z_DE.pdf)

SmartWire-DT manual, The System MN05006002Z - English [ftp://ftp.moeller.net/DOCUMENTATION/AWB\\_MANUALS/MN05006002Z\\_EN.pdf](ftp://ftp.moeller.net/DOCUMENTATION/AWB_MANUALS/MN05006002Z_EN.pdf)

Manuale SmartWire-DT, il sistema MN05006002Z - italiano [ftp://ftp.moeller.net/DOCUMENTATION/AWB\\_MANUALS/MN05006002Z\\_IT.pdf](ftp://ftp.moeller.net/DOCUMENTATION/AWB_MANUALS/MN05006002Z_IT.pdf)

SmartWire-DT product range catalog <http://ecat.moeller.net/flip-cat/?edition=SWKAT&startpage=Titel>

f1=1457&f2=1181&f3=1530;Download Wizard SWD-ASSIST <http://applications.eaton.eu/sdcl?LX=11&amp>

Product overview WEB) <http://www.eaton.eu/swd>

