



Adapter, for function elements, 4-way

Part no. M22-SWD-A4
Catalog No. 116016
Alternate Catalog No. M22-SWD-A4Q
EL-Nummer (Norway) 4520005



Delivery program

Basic function accessories			Mounting adaptor				
Description			for 2 function elements M22-SWD-K22... for use with M22-WR4, -WRJ4, -D4 in conjunction with M22-(SWD)-K				
Fixing			Front fixing				
Configuration			<table border="1" style="display: inline-table;"> <tr> <td>1</td> <td>4</td> <td>2</td> <td>3</td> </tr> </table>	1	4	2	3
1	4	2	3				
Connection to SmartWire-DT			yes				
For use with			M22-SWD-K22... M22-WR4 M22-WRJ4 M22-WRD4				

Design verification as per IEC/EN 61439

Technical data for design verification			
Rated operational current for specified heat dissipation	I_n	A	0
Heat dissipation per pole, current-dependent	P_{vid}	W	0
Equipment heat dissipation, current-dependent	P_{vid}	W	0
Static heat dissipation, non-current-dependent	P_{vs}	W	0
Heat dissipation capacity	P_{diss}	W	0
Operating ambient temperature min.		°C	-30
Operating ambient temperature max.		°C	55
IEC/EN 61439 design verification			
10.2 Strength of materials and parts			
10.2.2 Corrosion resistance			
			Meets the product standard's requirements.
10.2.3.1 Verification of thermal stability of enclosures			
			Meets the product standard's requirements.
10.2.3.2 Verification of resistance of insulating materials to normal heat			
			Meets the product standard's requirements.
10.2.3.3 Verification of resistance of insulating materials to abnormal heat and fire due to internal electric effects			
			Meets the product standard's requirements.
10.2.4 Resistance to ultra-violet (UV) radiation			
			Please enquire
10.2.5 Lifting			
			Does not apply, since the entire switchgear needs to be evaluated.
10.2.6 Mechanical impact			
			Does not apply, since the entire switchgear needs to be evaluated.
10.2.7 Inscriptions			
			Meets the product standard's requirements.
10.3 Degree of protection of ASSEMBLIES			
			Does not apply, since the entire switchgear needs to be evaluated.
10.4 Clearances and creepage distances			
			Meets the product standard's requirements.
10.5 Protection against electric shock			
			Does not apply, since the entire switchgear needs to be evaluated.
10.6 Incorporation of switching devices and components			
			Does not apply, since the entire switchgear needs to be evaluated.
10.7 Internal electrical circuits and connections			
			Is the panel builder's responsibility.
10.8 Connections for external conductors			
			Is the panel builder's responsibility.
10.9 Insulation properties			
10.9.2 Power-frequency electric strength			
			Is the panel builder's responsibility.
10.9.3 Impulse withstand voltage			
			Is the panel builder's responsibility.
10.9.4 Testing of enclosures made of insulating material			
			Is the panel builder's responsibility.
10.10 Temperature rise			
			Not applicable.
10.11 Short-circuit rating			
			Is the panel builder's responsibility. The specifications for the switchgear must be observed.
10.12 Electromagnetic compatibility			
			Is the panel builder's responsibility. The specifications for the switchgear must be observed.

Technical data ETIM 7.0

Low-voltage industrial components (EG000017) / Adapter for control circuit devices (EC001020)

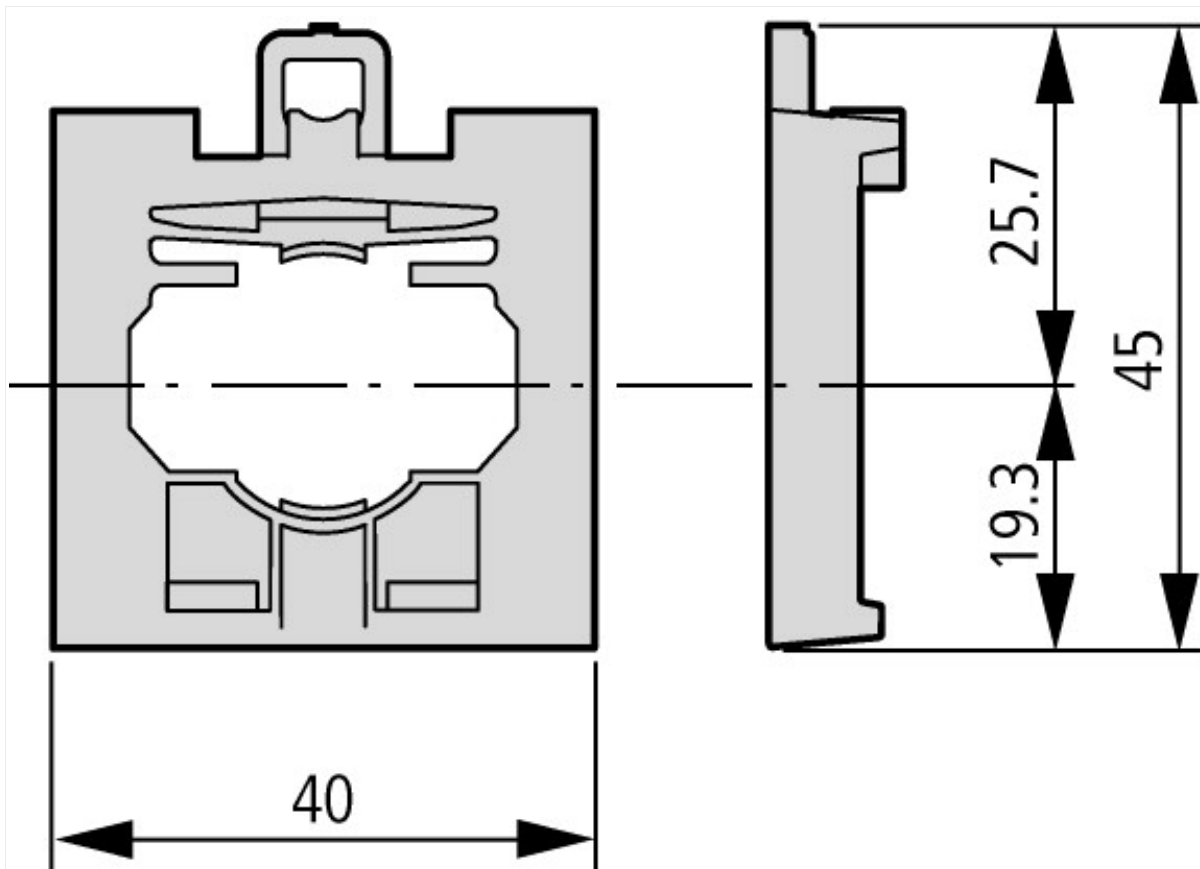
Electric engineering, automation, process control engineering / Low-voltage switch technology / Command and alarm device / Adapter for command devices (ecl@ss10.0.1-27-37-12-26 [AKF044014])

Built-in diameter	mm	0
Number of appliances to build in		1

Approvals

UL File No.	E29184
UL Category Control No.	NKCR
CSA File No.	2324643
CSA Class No.	3211-07
North America Certification	UL listed, CSA certified
Specially designed for North America	No

Dimensions



Fixing adapters
Fixing adapter (front mount) for 3-contacts-/LED elements