



Function element, for combination with RMQ-Titan operating elements  
M22-..., 2 changeover contact, Front fixing, red



Part no. M22-SWD-K22LED-R  
 Catalog No. 115981  
 Alternate Catalog No. M22-SWD-K22LED-RQ  
 EL-Nummer (Norway) 4355017

**Delivery program**

Basic function accessories		Function elements
Function		for combination with RMQ-Titan operating elements M22-...
Contacts		2 changeover contact
Fixing		Front fixing
Contact sequence		
Contact travel diagram stroke in connection with front element		
Configuration		
<b>Colour</b>		
Connection to SmartWire-DT		yes

**Technical data**

**General**

Standards		IEC/EN 61131-2 EN 50178
Approvals		
shipping classification		DNV GL BV LRS
Dimensions (W x H x D)	mm	17 x 42 x 45
Weight	g	14
Mounting position		As required

**Ambient conditions, mechanical**

Protection type (IEC/EN 60529, EN50178, VBG 4)		IP20
Vibrations (IEC/EN 61131-2:2008)		
Constant amplitude 3,5 mm	Hz	5 - 8.4
Constant acceleration 1 g	Hz	8.4 - 150
Mechanical shock resistance (IEC/EN 60068-2-27) semi-sinusoidal 15 g/11 ms	Impacts	9
Drop to IEC/EN 60068-2-31	Drop height mm	50
Free fall, packaged (IEC/EN 60068-2-32)	m	0.3

**Electromagnetic compatibility (EMC)**

Overvoltage category		Not applicable
Pollution degree		2
Electrostatic discharge (IEC/EN 61131-2:2008)		

Air discharge (Level 3)		kV	8
Contact discharge (Level 2)		kV	4
Electromagnetic fields (IEC/EN 61131-2:2008)			
80 - 1000 MHz		V/m	10
1.4 - 2 GHz		V/m	3
2 - 2.7 GHz		V/m	1
Radio interference suppression (SmartWire-DT)			EN 55011 Class A
Burst (IEC/EN 61131-2:2008, Level 3)			
Supply cable		kV	2
SmartWire-DT cable		kV	1
Radiated RFI (IEC/EN 61131-2:2008, Level 3)		V	10

### Climatic environmental conditions

Ambient temperature			
Operating ambient temperature (IEC 60068-2)		°C	-30 - +70
Storage		°C	-40 - +80
Relative humidity			
Condensation			Take appropriate measures to prevent condensation
Relative humidity, non-condensing (IEC/EN 60068-2-30)		%	5 - 95

### SmartWire-DT network

Station type			SmartWire-DT slave
Address allocation			automatic
Status indication		LED	Green
Connections			Plug, 8-pole
Plug connector			SWD4-8SF2-5

### Fieldbus interface

Baud rate setting			automatic
-------------------	--	--	-----------

### Functions

Switching state display		LED	Yes
Diagnostics			Yes
Fixing			Front fixing

## Design verification as per IEC/EN 61439

Technical data for design verification			
Rated operational current for specified heat dissipation	$I_n$	A	0
Heat dissipation per pole, current-dependent	$P_{vid}$	W	0
Equipment heat dissipation, current-dependent	$P_{vid}$	W	0
Static heat dissipation, non-current-dependent	$P_{vs}$	W	0.3
Heat dissipation capacity	$P_{diss}$	W	0
Operating ambient temperature min.		°C	-30
Operating ambient temperature max.		°C	70
IEC/EN 61439 design verification			
10.2 Strength of materials and parts			
10.2.2 Corrosion resistance			Meets the product standard's requirements.
10.2.3.1 Verification of thermal stability of enclosures			Meets the product standard's requirements.
10.2.3.2 Verification of resistance of insulating materials to normal heat			Meets the product standard's requirements.
10.2.3.3 Verification of resistance of insulating materials to abnormal heat and fire due to internal electric effects			Meets the product standard's requirements.
10.2.4 Resistance to ultra-violet (UV) radiation			Meets the product standard's requirements.
10.2.5 Lifting			Does not apply, since the entire switchgear needs to be evaluated.
10.2.6 Mechanical impact			Does not apply, since the entire switchgear needs to be evaluated.
10.2.7 Inscriptions			Meets the product standard's requirements.
10.3 Degree of protection of ASSEMBLIES			Does not apply, since the entire switchgear needs to be evaluated.
10.4 Clearances and creepage distances			Meets the product standard's requirements.
10.5 Protection against electric shock			Does not apply, since the entire switchgear needs to be evaluated.

10.6 Incorporation of switching devices and components		Does not apply, since the entire switchgear needs to be evaluated.
10.7 Internal electrical circuits and connections		Is the panel builder's responsibility.
10.8 Connections for external conductors		Is the panel builder's responsibility.
10.9 Insulation properties		
10.9.2 Power-frequency electric strength		Is the panel builder's responsibility.
10.9.3 Impulse withstand voltage		Is the panel builder's responsibility.
10.9.4 Testing of enclosures made of insulating material		Is the panel builder's responsibility.
10.10 Temperature rise		The panel builder is responsible for the temperature rise calculation. Eaton will provide heat dissipation data for the devices.
10.11 Short-circuit rating		Is the panel builder's responsibility. The specifications for the switchgear must be observed.
10.12 Electromagnetic compatibility		Is the panel builder's responsibility. The specifications for the switchgear must be observed.
10.13 Mechanical function		The device meets the requirements, provided the information in the instruction leaflet (IL) is observed.

## Technical data ETIM 7.0

Low-voltage industrial components (EG000017) / Auxiliary contact block (EC000041)

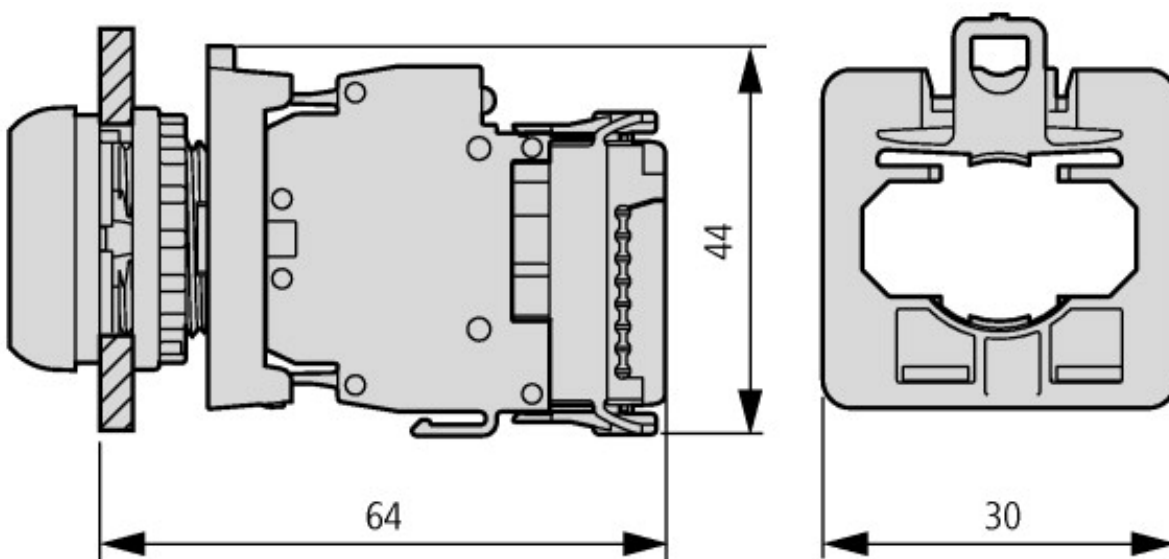
Electric engineering, automation, process control engineering / Low-voltage switch technology / Component for low-voltage switching technology / Auxiliary switch block (ecl@ss10.0.1-27-37-13-02 [AKN342013])

Number of contacts as change-over contact			0
Number of contacts as normally open contact			2
Number of contacts as normally closed contact			2
Number of fault-signal switches			0
Rated operation current I <sub>e</sub> at AC-15, 230 V		A	0
Type of electric connection			Flat plug-in connection
Model			Top mounting
Mounting method			Front fastening
Lamp holder			LED not exchangeable

## Approvals

UL File No.			E29184
UL Category Control No.			NKCR
CSA File No.			2324643
CSA Class No.			3211-07
North America Certification			UL listed, CSA certified
Specially designed for North America			No

## Dimensions



Pushbutton with function element

## Assets (links)

### Declaration of CE Conformity

00002530

### Instruction Leaflets

IL04716004Z2018\_06

### Manuals

MN05006001Z\_EN (English)

MN05006002Z\_EN (English)

## Additional product information (links)

### IL04716004Z (AWA1160-2511) SmartWire-DT: RMQ-Titan

IL04716004Z (AWA1160-2511) SmartWire-DT: RMQ-Titan	<a href="ftp://ftp.moeller.net/DOCUMENTATION/AWA_INSTRUCTIONS/IL04716004Z2019_10.pdf">ftp://ftp.moeller.net/DOCUMENTATION/AWA_INSTRUCTIONS/IL04716004Z2019_10.pdf</a>
--	---

### SmartWire-DT manual, SWD module IP20 MN05006001Z

Handbuch SmartWire-DT, SWD-Modul IP20 MN05006001Z - Deutsch	<a href="ftp://ftp.moeller.net/DOCUMENTATION/AWB_MANUALS/MN05006001Z_DE.pdf">ftp://ftp.moeller.net/DOCUMENTATION/AWB_MANUALS/MN05006001Z_DE.pdf</a>
---	---

SmartWire-DT manual, SWD module IP20 MN05006001Z - English	<a href="ftp://ftp.moeller.net/DOCUMENTATION/AWB_MANUALS/MN05006001Z_EN.pdf">ftp://ftp.moeller.net/DOCUMENTATION/AWB_MANUALS/MN05006001Z_EN.pdf</a>
--	---

Manuale SmartWire-DT, modulo SWD IP20 MN05006001Z - italiano	<a href="ftp://ftp.moeller.net/DOCUMENTATION/AWB_MANUALS/MN05006001Z_IT.pdf">ftp://ftp.moeller.net/DOCUMENTATION/AWB_MANUALS/MN05006001Z_IT.pdf</a>
--	---

### MN05006002Z (AWB2723-1617) SmartWire-DT, The system

MN05006002Z (AWB2723-1617) SmartWire-DT, Das System - Deutsch	<a href="ftp://ftp.moeller.net/DOCUMENTATION/AWB_MANUALS/MN05006002Z_DE.pdf">ftp://ftp.moeller.net/DOCUMENTATION/AWB_MANUALS/MN05006002Z_DE.pdf</a>
---	---

MN05006002Z (AWB2723-1617) SmartWire-DT, The system - English	<a href="ftp://ftp.moeller.net/DOCUMENTATION/AWB_MANUALS/MN05006002Z_EN.pdf">ftp://ftp.moeller.net/DOCUMENTATION/AWB_MANUALS/MN05006002Z_EN.pdf</a>
---	---

MN05006002Z (AWB2723-1617) SmartWire-DT, il sistema - italiano	<a href="ftp://ftp.moeller.net/DOCUMENTATION/AWB_MANUALS/MN05006002Z_IT.pdf">ftp://ftp.moeller.net/DOCUMENTATION/AWB_MANUALS/MN05006002Z_IT.pdf</a>
--	---