



**Contactors, 3 pole, 380 V 400 V 18.5 kW, 1 NC, RDC 24: 24 - 27 V DC, DC operation, Screw terminals**



**Part no. DILM38-01(RDC24)**  
**Catalog No. 112470**  
**Alternate Catalog No. XTCE038C01TD**  
**EL-Nummer (Norway) 4110208**

**Delivery program**

|                      |  |  |  |
|----------------------|--|--|--|
| Product range        |  |  | Contactors   |
| Application          |  |  | Contactors for Motors  |
| Subrange             |  |  | Contactors up to 170 A, 3 pole   |
| Utilization category |  |  | AC-1: Non-inductive or slightly inductive loads, resistance furnaces<br>NAC-3: Normal AC induction motors: starting, switch off during running<br>AC-4: Normal AC induction motors: starting, plugging, reversing, inching |
| Notes                |  |  | Not suitable for motors with efficiency class IE3.   |
| Connection technique |  |  | Screw terminals  |
| Number of poles      |  |  | 3 pole   |

**Rated operational current**

|   |                |   |  |
|---|----------------|---|--|
| <b>AC-3</b>   |                |   |  |
| Notes   |                |   | At maximum permissible ambient temperature (open.) |
| 380 V 400 V   | $I_e$          | A | 38   |
| <b>AC-1</b>   |                |   |  |
| Conventional free air thermal current, 3 pole, 50 - 60 Hz |                |   |  |
| Open  |                |   |  |
| at 40 °C  | $I_{th} = I_e$ | A | 45   |
| enclosed  | $I_{th}$       | A | 36   |
| Conventional free air thermal current, 1 pole             |                |   |  |
| open  | $I_{th}$       | A | 100  |
| enclosed  | $I_{th}$       | A | 90   |

**Max. rating for three-phase motors, 50 - 60 Hz**

|             |   |    |      |
|-------------|---|----|------|
| <b>AC-3</b> |   |    |      |
| 220 V 230 V | P | kW | 11   |
| 380 V 400 V | P | kW | 18.5 |
| 660 V 690 V | P | kW | 21   |
| <b>AC-4</b> |   |    |      |
| 220 V 230 V | P | kW | 4    |
| 380 V 400 V | P | kW | 7    |
| 660 V 690 V | P | kW | 10   |

**Contacts**

|                       |  |  |      |
|-----------------------|--|--|------|
| N/C = Normally closed |  |  | 1 NC |
|-----------------------|--|--|------|

|                  |  |  |  |
|------------------|--|--|--|
| Contact sequence |  |  |  |
|------------------|--|--|--|

|                     |  |  |   |
|---------------------|--|--|---|
| <b>Instructions</b> |  |  | Contacts to EN 50 012.<br>integrated suppressor circuit in actuating electronics with mirror contact. |
|---------------------|--|--|---|

|  |  |  |                                |
|--|--|--|--------------------------------|
| Can be combined with auxiliary contact |  |  | DILA-XHI(V).<br>DILM32-XHI11-S |
|--|--|--|--------------------------------|

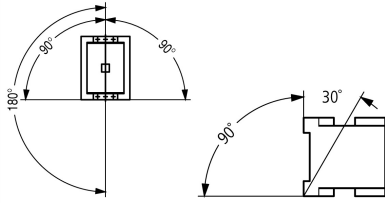
|                   |  |  |                      |
|-------------------|--|--|----------------------|
| Actuating voltage |  |  | RDC 24: 24 - 27 V DC |
|-------------------|--|--|----------------------|

|               |  |  |              |
|---------------|--|--|--------------|
| Voltage AC/DC |  |  | DC operation |
|---------------|--|--|--------------|

|                            |  |  |  |
|----------------------------|--|--|--|
| Connection to SmartWire-DT |  |  | yes<br>in conjunction with DIL-SWD SmartWire DT contactor module |
|----------------------------|--|--|--|

## Technical data

### General

|   |                 |               |  |
|---|-----------------|---------------|--|
| Standards   |                 |               | IEC/EN 60947, VDE 0660, UL, CSA  |
| Lifespan, mechanical  |                 |               |  |
| DC operated   | Operations      | $\times 10^6$ | 10   |
| Operating frequency, mechanical                                       |                 |               |  |
| DC operated   | Operations/h    |               | 5000   |
| Climatic proofing   |                 |               | Damp heat, constant, to IEC 60068-2-78<br>Damp heat, cyclic, to IEC 60068-2-30     |
| Ambient temperature   |                 |               |  |
| Open  | °C              |               | -25 - +60  |
| Enclosed  | °C              |               | - 25 - 40  |
| Storage   | °C              |               | - 40 - 80  |
| Mounting position   |                 |               |  |
| Mechanical shock resistance (IEC/EN 60068-2-27)                       |                 |               |  |
| Half-sinusoidal shock, 10 ms  |                 |               |  |
| Main contacts   |                 |               |  |
| N/O contact   | g               |               | 10   |
| Auxiliary contacts  |                 |               |  |
| N/O contact   | g               |               | 7  |
| N/C contact   | g               |               | 5  |
| Mechanical shock resistance (IEC/EN 60068-2-27) when tabletop-mounted |                 |               |  |
| Half-sinusoidal shock, 10 ms  |                 |               |  |
| Main contacts   |                 |               |  |
| N/O contact   | g               |               | 6.9  |
| Auxiliary contacts  |                 |               |  |
| N/O contact   | g               |               | 5.3  |
| N/C contact   | g               |               | 3.5  |
| Degree of Protection  |                 |               | IP00   |
| Protection against direct contact when actuated from front (EN 50274) |                 |               | Finger and back-of-hand proof  |
| Altitude  | m               |               | Max. 2000  |
| Weight  |                 |               |  |
| DC operated   | kg              |               | 0.534  |
| Screw connector terminals   |                 |               |  |
| Terminal capacity main cable  |                 |               |  |
| Solid   | mm <sup>2</sup> |               | 1 x (0.75 - 16)<br>2 x (0.75 - 10)   |
| Flexible with ferrule   | mm <sup>2</sup> |               | 1 x (0.75 - 16)<br>2 x (0.75 - 10)   |
| Stranded  | mm <sup>2</sup> |               | 1 x 16   |
| Solid or stranded   | AWG             |               | single 18 - 6, double 18 - 8   |
| Stripping length  | mm              |               | 10   |
| Terminal screw  |                 |               | M5   |
| Tightening torque   | Nm              |               | 3.2  |
| Tool  |                 |               |  |
| Pozidriv screwdriver  | Size            |               | 2  |
| Standard screwdriver  | mm              |               | 0.8 x 5.5<br>1 x 6   |
| Terminal capacity control circuit cables                              |                 |               |  |
| Solid   | mm <sup>2</sup> |               | 1 x (0.75 - 4)<br>2 x (0.75 - 2.5)   |
| Flexible with ferrule   | mm <sup>2</sup> |               | 1 x (0.75 - 2.5)<br>2 x (0.75 - 2.5)   |

|                      |  |      |                    |
|----------------------|--|------|--------------------|
| Solid or stranded    |  | AWG  | 18 - 14            |
| Stripping length     |  | mm   | 10                 |
| Terminal screw       |  |      | M3.5               |
| Tightening torque    |  | Nm   | 1.2                |
| Tool                 |  |      |                    |
| Pozidriv screwdriver |  | Size | 2                  |
| Standard screwdriver |  | mm   | 0.8 x 5.5<br>1 x 6 |

### Main conducting paths

|  |             |      |       |
|--|-------------|------|-------|
| Rated impulse withstand voltage        | $U_{imp}$   | V AC | 8000  |
| Overvoltage category/pollution degree  |             |      | III/3 |
| Rated insulation voltage               | $U_i$       | V AC | 690   |
| Rated operational voltage              | $U_e$       | V AC | 690   |
| Safe isolation to EN 61140             |             |      |       |
| between coil and contacts              |             | V AC | 440   |
| between the contacts                   |             | V AC | 440   |
| Making capacity (p.f. to IEC/EN 60947) |             |      |       |
|  | Up to 690 V | A    | 384   |
| Breaking capacity                      |             |      |       |
| 220 V 230 V                            |             | A    | 320   |
| 380 V 400 V                            |             | A    | 320   |
| 500 V                                  |             | A    | 320   |
| 660 V 690 V                            |             | A    | 180   |
| Short-circuit rating                   |             |      |       |
| Short-circuit protection maximum fuse  |             |      |       |
| Type "2" coordination                  |             |      |       |
| 400 V                                  | gG/gL 500 V | A    | 63    |
| 690 V                                  | gG/gL 690 V | A    | 35    |
| Type "1" coordination                  |             |      |       |
| 400 V                                  | gG/gL 500 V | A    | 125   |
| 690 V                                  | gG/gL 690 V | A    | 63    |

### AC

|   |                |   |  |
|---|----------------|---|--|
| AC-1  |                |   |  |
| Rated operational current                                 |                |   |  |
| Conventional free air thermal current, 3 pole, 50 - 60 Hz |                |   |  |
| Open  |                |   |  |
| at 40 °C  | $I_{th} = I_e$ | A | 45   |
| at 50 °C  | $I_{th} = I_e$ | A | 43   |
| at 55 °C  | $I_{th} = I_e$ | A | 42   |
| at 60 °C  | $I_{th} = I_e$ | A | 40   |
| enclosed  | $I_{th}$       | A | 36   |
| Conventional free air thermal current, 1 pole             |                |   |  |
| open  | $I_{th}$       | A | 100  |
| enclosed  | $I_{th}$       | A | 90   |
| AC-3  |                |   |  |
| Rated operational current                                 |                |   |  |
| Open, 3-pole: 50 – 60 Hz                                  |                |   |  |
| Notes   |                |   | At maximum permissible ambient temperature (open.) |
| 220 V 230 V   | $I_e$          | A | 38   |
| 240 V   | $I_e$          | A | 38   |
| 380 V 400 V   | $I_e$          | A | 38   |
| 415 V   | $I_e$          | A | 38   |
| 440V  | $I_e$          | A | 38   |
| 500 V   | $I_e$          | A | 38   |
| 660 V 690 V   | $I_e$          | A | 22.5   |

|                          |                |     |      |
|--------------------------|----------------|-----|------|
| 380 V 400 V              | I <sub>e</sub> | A   | 38   |
| Motor rating             | P              | kWh |      |
| 220 V 230 V              | P              | kW  | 11   |
| 240V                     | P              | kW  | 12   |
| 380 V 400 V              | P              | kW  | 18.5 |
| 415 V                    | P              | kW  | 20   |
| 440 V                    | P              | kW  | 21   |
| 500 V                    | P              | kW  | 24   |
| 660 V 690 V              | P              | kW  | 21   |
| <b>AC-4</b>              |                |     |      |
| Open, 3-pole: 50 – 60 Hz |                |     |      |
| 220 V 230 V              | I <sub>e</sub> | A   | 15   |
| 240 V                    | I <sub>e</sub> | A   | 15   |
| 380 V 400 V              | I <sub>e</sub> | A   | 15   |
| 415 V                    | I <sub>e</sub> | A   | 15   |
| 440 V                    | I <sub>e</sub> | A   | 15   |
| 500 V                    | I <sub>e</sub> | A   | 15   |
| 660 V 690 V              | I <sub>e</sub> | A   | 12   |
| Motor rating             | P              | kWh |      |
| 220 V 230 V              | P              | kW  | 4    |
| 240 V                    | P              | kW  | 4.5  |
| 380 V 400 V              | P              | kW  | 7    |
| 415 V                    | P              | kW  | 7.5  |
| 440 V                    | P              | kW  | 8    |
| 500 V                    | P              | kW  | 9    |
| 660 V 690 V              | P              | kW  | 10   |

## DC

|                                 |                |   |    |
|---------------------------------|----------------|---|----|
| Rated operational current, open |                |   |    |
| DC-1                            |                |   |    |
| 60 V                            | I <sub>e</sub> | A | 40 |
| 110 V                           | I <sub>e</sub> | A | 40 |
| 220 V                           | I <sub>e</sub> | A | 40 |

## Current heat loss

|   |  |    |      |
|---|--|----|------|
| 3 pole, at I <sub>th</sub> (60°)                  |  | W  | 10.3 |
| Current heat loss at I <sub>e</sub> to AC-3/400 V |  | W  | 9.3  |
| Impedance per pole                                |  | mΩ | 2.7  |

## Magnet systems

|  |          |                  |   |
|--|----------|------------------|---|
| Voltage tolerance  |          |                  |   |
| DC operated  | Pick-up  | x U <sub>c</sub> | 0.7 - 1.2   |
| Notes  |          |                  | RDC 24 (U <sub>min</sub> 24 V DC/U <sub>max</sub> 27 V DC)<br>Example: U <sub>S</sub> = 0.7 x U <sub>min</sub> - 1.2 x U <sub>max</sub> / U <sub>S</sub> = 0.7 x 24V - 1.2 x 27V DC |
| DC operated  | Drop-out | x U <sub>c</sub> | 0.15 - 0.6  |
| Notes  |          |                  | at least smoothed two-phase bridge rectifier or three-phase rectifier   |
| Power consumption of the coil in a cold state and 1.0 x U <sub>S</sub> |          |                  |   |
| DC operated  | Pick-up  | W                | 12  |
| DC operated  | Sealing  | W                | 0.9   |
| Duty factor  |          | % DF             | 100   |
| Changeover time at 100 % U <sub>S</sub> (recommended value)            |          |                  |   |
| Main contacts  |          |                  |   |
| DC operated  |          | ms               |   |
| Closing delay  |          | ms               | 47  |
| Opening delay  |          | ms               | 30  |
| Arcing time  |          | ms               | 10  |

## Electromagnetic compatibility (EMC)

|                      |  |  |               |
|----------------------|--|--|---------------|
| Emitted interference |  |  | to EN 60947-1 |
|----------------------|--|--|---------------|

**Rating data for approved types**

|                                      |    |  |                 |
|--------------------------------------|----|--|-----------------|
| Switching capacity                   |    |  |                 |
| Maximum motor rating                 |    |  |                 |
| Three-phase                          |    |  |                 |
| 200 V<br>208 V                       | HP |  | 10              |
| 230 V<br>240 V                       | HP |  | 10              |
| 460 V<br>480 V                       | HP |  | 20              |
| 575 V<br>600 V                       | HP |  | 25              |
| Single-phase                         |    |  |                 |
| 115 V<br>120 V                       | HP |  | 2               |
| 230 V<br>240 V                       | HP |  | 5               |
| General use                          | A  |  | 40              |
| Auxiliary contacts                   |    |  |                 |
| Pilot Duty                           |    |  |                 |
| AC operated                          |    |  | A600            |
| DC operated                          |    |  | P300            |
| General Use                          |    |  |                 |
| AC                                   | V  |  | 600             |
| AC                                   | A  |  | 10              |
| DC                                   | V  |  | 250             |
| DC                                   | A  |  | 1               |
| Short Circuit Current Rating         |    |  |                 |
| SCCR                                 |    |  |                 |
| Basic Rating                         |    |  |                 |
| SCCR                                 | kA |  | 5               |
| max. Fuse                            | A  |  | 125             |
| max. CB                              | A  |  | 125             |
| 480 V High Fault                     |    |  |                 |
| SCCR (fuse)                          | kA |  | 10/100          |
| max. Fuse                            | A  |  | 125/70 Class J  |
| SCCR (CB)                            | kA |  | 10/65           |
| max. CB                              | A  |  | 50/32           |
| 600 V High Fault                     |    |  |                 |
| SCCR (fuse)                          | kA |  | 10/100          |
| max. Fuse                            | A  |  | 125/125 Class J |
| SCCR (CB)                            | kA |  | 10/22           |
| max. CB                              | A  |  | 50/32           |
| Special Purpose Ratings              |    |  |                 |
| Electrical Discharge Lamps (Ballast) |    |  |                 |
| 480V 60Hz 3phase, 277V 60Hz 1phase   | A  |  | 40              |
| 600V 60Hz 3phase, 347V 60Hz 1phase   | A  |  | 40              |
| Incandescent Lamps (Tungsten)        |    |  |                 |
| 480V 60Hz 3phase, 277V 60Hz 1phase   | A  |  | 40              |
| 600V 60Hz 3phase, 347V 60Hz 1phase   | A  |  | 40              |
| Resistance Air Heating               |    |  |                 |
| 480V 60Hz 3phase, 277V 60Hz 1phase   | A  |  | 40              |
| 600V 60Hz 3phase, 347V 60Hz 1phase   | A  |  | 40              |
| Refrigeration Control (CSA only)     |    |  |                 |
| LRA 480V 60Hz 3phase                 | A  |  | 240             |
| FLA 480V 60Hz 3phase                 | A  |  | 40              |
| LRA 600V 60Hz 3phase                 | A  |  | 180             |
| FLA 600V 60Hz 3phase                 | A  |  | 30              |

| Definite Purpose Ratings (100,000 cycles acc. to UL 1995) |  |    |      |
|---|--|----|------|
| LRA 480V 60Hz 3phase                                      |  | A  | 192  |
| FLA 480V 60Hz 3phase                                      |  | A  | 32   |
| Elevator Control  |  |    |      |
| 200V 60Hz 3phase  |  | HP | 7.5  |
| 200V 60Hz 3phase  |  | A  | 25.3 |
| 240V 60Hz 3phase  |  | HP | 7.5  |
| 240V 60Hz 3phase  |  | A  | 22   |
| 480V 60Hz 3phase  |  | HP | 20   |
| 480V 60Hz 3phase  |  | A  | 27   |
| 600V 60Hz 3phase  |  | HP | 20   |
| 600V 60Hz 3phase  |  | A  | 22   |

## Design verification as per IEC/EN 61439

| Technical data for design verification   |            |    |     |
|--|------------|----|-----|
| Rated operational current for specified heat dissipation   | $I_n$      | A  | 38  |
| Heat dissipation per pole, current-dependent   | $P_{vid}$  | W  | 3.1 |
| Equipment heat dissipation, current-dependent  | $P_{vid}$  | W  | 9.3 |
| Static heat dissipation, non-current-dependent   | $P_{vs}$   | W  | 0.9 |
| Heat dissipation capacity  | $P_{diss}$ | W  | 0   |
| Operating ambient temperature min.   |            | °C | -25 |
| Operating ambient temperature max.   |            | °C | 60  |
| IEC/EN 61439 design verification   |            |    |     |
| 10.2 Strength of materials and parts   |            |    |     |
| 10.2.2 Corrosion resistance  |            |    |     |
| 10.2.3.1 Verification of thermal stability of enclosures   |            |    |     |
| 10.2.3.2 Verification of resistance of insulating materials to normal heat   |            |    |     |
| 10.2.3.3 Verification of resistance of insulating materials to abnormal heat and fire due to internal electric effects |            |    |     |
| 10.2.4 Resistance to ultra-violet (UV) radiation   |            |    |     |
| 10.2.5 Lifting   |            |    |     |
| 10.2.6 Mechanical impact   |            |    |     |
| 10.2.7 Inscriptions  |            |    |     |
| 10.3 Degree of protection of ASSEMBLIES  |            |    |     |
| 10.4 Clearances and creepage distances   |            |    |     |
| 10.5 Protection against electric shock   |            |    |     |
| 10.6 Incorporation of switching devices and components   |            |    |     |
| 10.7 Internal electrical circuits and connections  |            |    |     |
| 10.8 Connections for external conductors   |            |    |     |
| 10.9 Insulation properties   |            |    |     |
| 10.9.2 Power-frequency electric strength   |            |    |     |
| 10.9.3 Impulse withstand voltage   |            |    |     |
| 10.9.4 Testing of enclosures made of insulating material   |            |    |     |
| 10.10 Temperature rise   |            |    |     |
| 10.11 Short-circuit rating   |            |    |     |
| 10.12 Electromagnetic compatibility  |            |    |     |
| 10.13 Mechanical function  |            |    |     |

## Technical data ETIM 7.0

|   |  |   |       |
|---|--|---|-------|
| Low-voltage industrial components (EG000017) / Power contactor, AC switching (EC000066)   |  |   |       |
| Electric engineering, automation, process control engineering / Low-voltage switch technology / Contactor (LV) / Power contactor, AC switching (ecl@ss10.0.1-27-37-10-03 [AAB718015]) |  |   |       |
| Rated control supply voltage $U_s$ at AC 50HZ   |  | V | 0 - 0 |
| Rated control supply voltage $U_s$ at AC 60HZ   |  | V | 0 - 0 |

|   |    |                  |
|---|----|------------------|
| Rated control supply voltage $U_s$ at DC                | V  | 24 - 27          |
| Voltage type for actuating                              |    | DC               |
| Rated operation current $I_e$ at AC-1, 400 V            | A  | 45               |
| Rated operation current $I_e$ at AC-3, 400 V            | A  | 38               |
| Rated operation power at AC-3, 400 V                    | kW | 18.5             |
| Rated operation current $I_e$ at AC-4, 400 V            | A  | 15               |
| Rated operation power at AC-4, 400 V                    | kW | 7                |
| Rated operation power NEMA                              | kW | 14.9             |
| Modular version   |    | No               |
| Number of auxiliary contacts as normally open contact   |    | 0                |
| Number of auxiliary contacts as normally closed contact |    | 1                |
| Type of electrical connection of main circuit           |    | Screw connection |
| Number of normally closed contacts as main contact      |    | 0                |
| Number of main contacts as normally open contact        |    | 3                |

## Approvals

|                                      |  |  |
|--------------------------------------|--|--|
| Product Standards                    |  | IEC/EN 60947-4-1; UL 60947-4-1; CSA - C22.2 No. 60947-4-1-14; CE marking |
| UL File No.                          |  | E29096   |
| UL Category Control No.              |  | NLDX   |
| CSA File No.                         |  | 012528   |
| CSA Class No.                        |  | 2411-03, 3211-04   |
| North America Certification          |  | UL listed, CSA certified   |
| Specially designed for North America |  | No   |



- 1: Overload relay
- 2: Suppressor
- 3: Auxiliary contact modules





- Squirrel-cage motor
- Operating characteristics
- Starting: from rest
- Stopping: after attaining full running speed
- Electrical characteristics
- Make: up to 6 x rated motor current
- Break: up to 1 x rated motor current
- Utilization category
- 100 % AC-3
- Typical applications
- Compressors
- Lifts
- Mixers
- Pumps
- Escalators
- Agitators
- Fans
- Conveyor belts
- Centrifuges
- Hinged flaps
- Bucket-elevators
- Air conditioning system
- General drives in manufacturing and processing machines



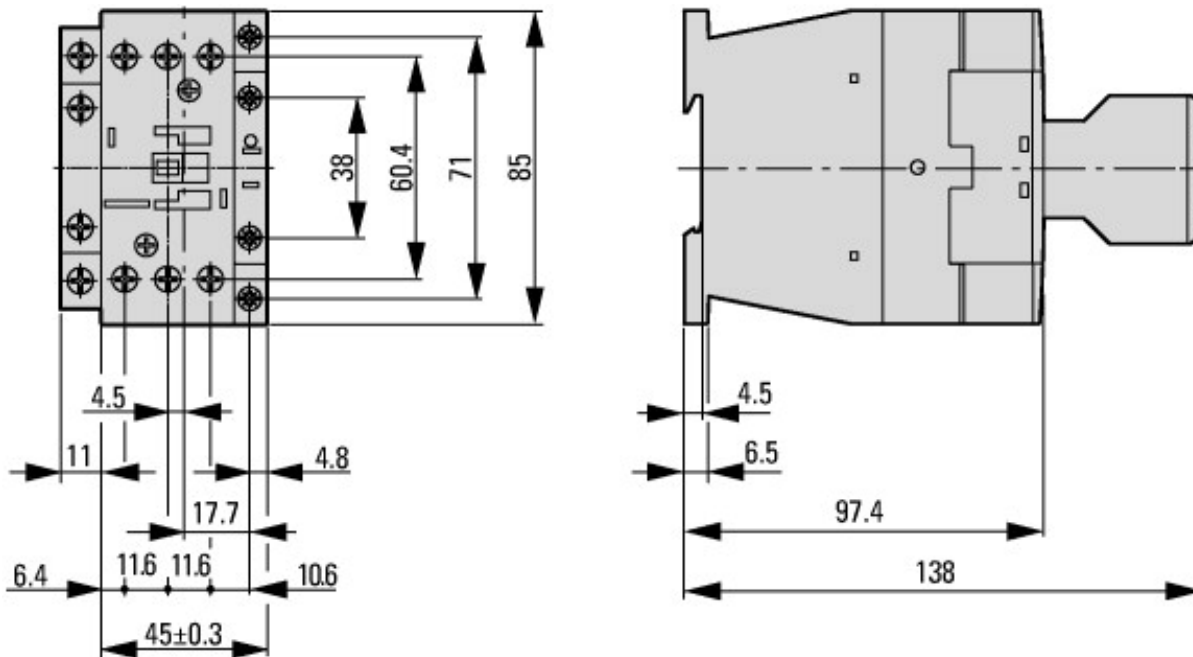
- Extreme switching duty
- Squirrel-cage motor
- Operating characteristics
- Inching, plugging, reversing
- Electrical characteristics
- Make: up to 6 x rated motor current
- Break: up to 6 x rated motor current
- Utilization category
- 100 % AC-4
- Typical applications
- Printing presses
- Wire-drawing machines
- Centrifuges
- Special drives for manufacturing and processing machines



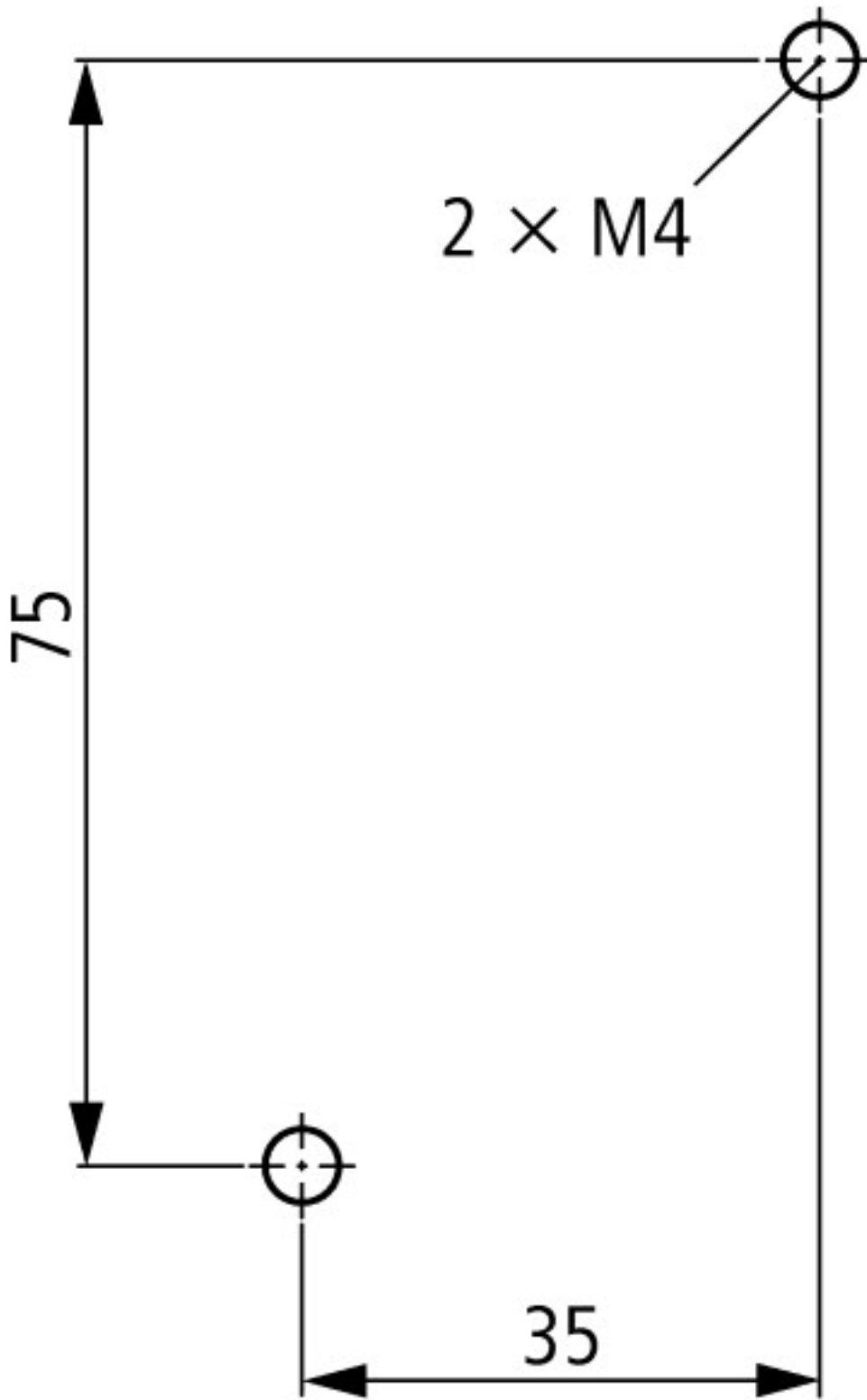
Switching conditions for non-motor consumers, 3 pole, 4 pole  
 Operating characteristics  
 Non inductive and slightly inductive loads  
 Electrical characteristics  
 Switch on: 1 x rated operational current  
 Switch off: 1 x rated operational current  
 Utilization category  
 100 % AC-1  
 Typical examples of application  
 Electric heat



## Dimensions



Contactors with auxiliary contact module



distance at side to earthed parts: 6 mm

## Assets (links)

### Declaration of CE Conformity

00003050

### Instruction Leaflets

IL03407014Z2018\_07

## Additional product information (links)

### IL03407014Z (AWA2100-2127) Contactor

|  |   |
|--|---|
| IL03407014Z (AWA2100-2127) Contactor                                       | <a href="ftp://ftp.moeller.net/DOCUMENTATION/AWA_INSTRUCTIONS/IL03407014Z2018_07.pdf">ftp://ftp.moeller.net/DOCUMENTATION/AWA_INSTRUCTIONS/IL03407014Z2018_07.pdf</a>   |
| Motor starters and "Special Purpose Ratings" for the North American market | <a href="http://www.eaton.eu/ecm/groups/public/@pub/@europe/@electrical/documents/content/pct_3258146.pdf">http://www.eaton.eu/ecm/groups/public/@pub/@europe/@electrical/documents/content/pct_3258146.pdf</a> |
| Switchgear of Power Factor Correction Systems                              | <a href="http://www.moeller.net/binary/ver_techpapers/ver934en.pdf">http://www.moeller.net/binary/ver_techpapers/ver934en.pdf</a>   |

|  |   |
|--|---|
| X-Start - Modern Switching Installations Efficiently Fitted and Wired Securely                 | <a href="http://www.moeller.net/binary/ver_techpapers/ver938en.pdf">http://www.moeller.net/binary/ver_techpapers/ver938en.pdf</a> |
| Mirror Contacts for Highly-Reliable Information Relating to Safety-Related Control Functions   | <a href="http://www.moeller.net/binary/ver_techpapers/ver944en.pdf">http://www.moeller.net/binary/ver_techpapers/ver944en.pdf</a> |
| Effect of the Cabel Capacitance of Long Control Cables on the Actuation of Contactors          | <a href="http://www.moeller.net/binary/ver_techpapers/ver949en.pdf">http://www.moeller.net/binary/ver_techpapers/ver949en.pdf</a> |
| Switchgear for Luminaires  | <a href="http://www.moeller.net/binary/ver_techpapers/ver955en.pdf">http://www.moeller.net/binary/ver_techpapers/ver955en.pdf</a> |
| Standard Compliant and Functionally Safe Engineering Design with Mechanical Auxiliary Contacts | <a href="http://www.moeller.net/binary/ver_techpapers/ver956en.pdf">http://www.moeller.net/binary/ver_techpapers/ver956en.pdf</a> |
| The Interaction of Contactors with PLCs  | <a href="http://www.moeller.net/binary/ver_techpapers/ver957en.pdf">http://www.moeller.net/binary/ver_techpapers/ver957en.pdf</a> |
| Busbar Component Adapters for modern Industrial control panels                                 | <a href="http://www.moeller.net/binary/ver_techpapers/ver960en.pdf">http://www.moeller.net/binary/ver_techpapers/ver960en.pdf</a> |