



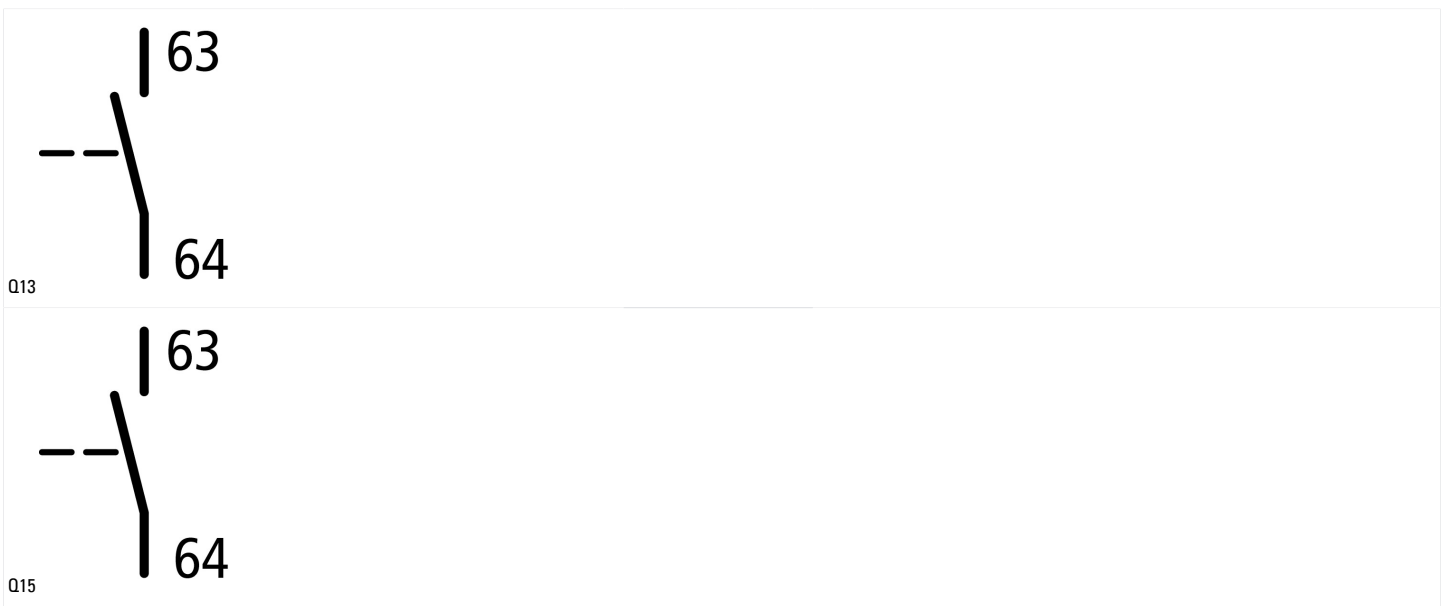
**Star-delta contactor combination, 380 V 400 V: 22 kW, 24 V DC, DC operation**



**Part no. SDAINLM45(RDC24)**  
**Catalog No. 100420**  
**Alternate Catalog No. XTSD045C10TD**

**Delivery program**

Product range				Contactor combinations
Application				Star-delta motor starting for contactor combinations
Accessories				Star-delta combinations SDAINL
Utilization category				NAC-3: Normal AC induction motors: starting, switch off during running
Notes				Also suitable for motors with efficiency class IE3. IE3-ready devices are identified by the logo on their packaging.
Description				Operating frequency: maximum 30 starts per hour
<b>Rated operational current</b>				
AC-3				
380 V 400 V	$I_e$	A		45
<b>Max. rating for three-phase motors, 50 - 60 Hz</b>				
AC-3				
220 V 230 V	P	kW		11
380 V 400 V	P	kW		22
500 V	P	kW		30
660 V 690 V	P	kW		22
Max. changeover time			s	20
Actuating voltage				24 V DC
Voltage AC/DC				DC operation
<b>Individual components of the combination</b>				
Mains contactor Q11			Part no.	DILM25-10 + DILA-XHI20
Delta contactor Q15			Part no.	DILM25-01 + DILA-XHI20
Star contactor Q13			Part no.	DILM17-01 + DILA-XHI20
Timing relay K1			Part no.	ETR4-51
<b>Instructions</b>				integrated suppressor circuit in actuating electronics
Spare auxiliary contacts				
Q11				



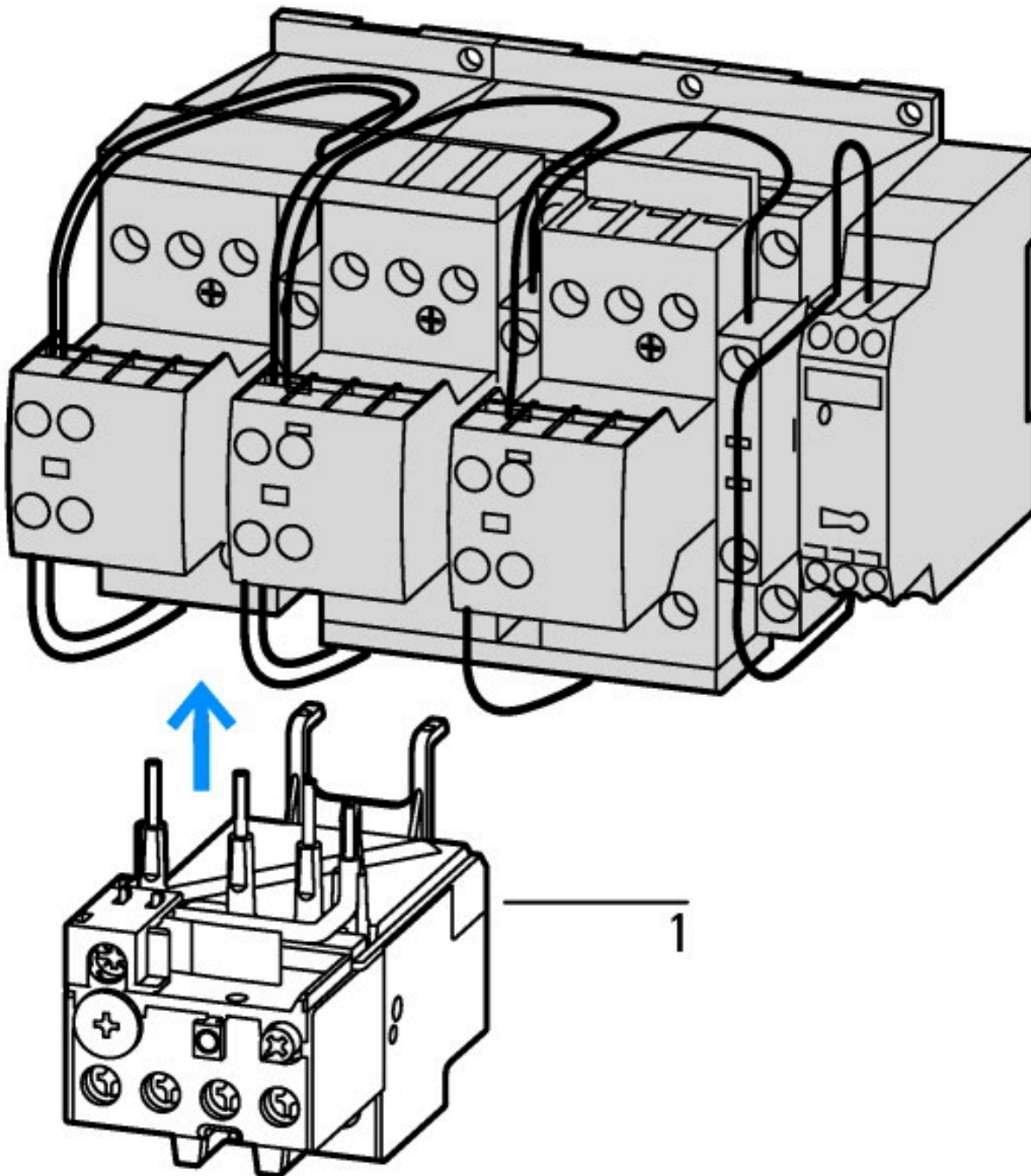
## Design verification as per IEC/EN 61439

Technical data for design verification			
Rated operational current for specified heat dissipation	$I_n$	A	45
Heat dissipation per pole, current-dependent	$P_{vid}$	W	4.1
Equipment heat dissipation, current-dependent	$P_{vid}$	W	12.4
Static heat dissipation, non-current-dependent	$P_{vs}$	W	3.7
Heat dissipation capacity	$P_{diss}$	W	0
Operating ambient temperature min.		°C	-25
Operating ambient temperature max.		°C	60
IEC/EN 61439 design verification			
10.2 Strength of materials and parts			
10.2.2 Corrosion resistance			Meets the product standard's requirements.
10.2.3.1 Verification of thermal stability of enclosures			Meets the product standard's requirements.
10.2.3.2 Verification of resistance of insulating materials to normal heat			Meets the product standard's requirements.
10.2.3.3 Verification of resistance of insulating materials to abnormal heat and fire due to internal electric effects			Meets the product standard's requirements.
10.2.4 Resistance to ultra-violet (UV) radiation			Meets the product standard's requirements.
10.2.5 Lifting			Does not apply, since the entire switchgear needs to be evaluated.
10.2.6 Mechanical impact			Does not apply, since the entire switchgear needs to be evaluated.
10.2.7 Inscriptions			Meets the product standard's requirements.
10.3 Degree of protection of ASSEMBLIES			Does not apply, since the entire switchgear needs to be evaluated.
10.4 Clearances and creepage distances			Meets the product standard's requirements.
10.5 Protection against electric shock			Does not apply, since the entire switchgear needs to be evaluated.
10.6 Incorporation of switching devices and components			Does not apply, since the entire switchgear needs to be evaluated.
10.7 Internal electrical circuits and connections			Is the panel builder's responsibility.
10.8 Connections for external conductors			Is the panel builder's responsibility.
10.9 Insulation properties			
10.9.2 Power-frequency electric strength			Is the panel builder's responsibility.
10.9.3 Impulse withstand voltage			Is the panel builder's responsibility.
10.9.4 Testing of enclosures made of insulating material			Is the panel builder's responsibility.
10.10 Temperature rise			The panel builder is responsible for the temperature rise calculation. Eaton will provide heat dissipation data for the devices.
10.11 Short-circuit rating			Is the panel builder's responsibility. The specifications for the switchgear must be observed.
10.12 Electromagnetic compatibility			Is the panel builder's responsibility. The specifications for the switchgear must be observed.
10.13 Mechanical function			The device meets the requirements, provided the information in the instruction leaflet (IL) is observed.

## Technical data ETIM 7.0

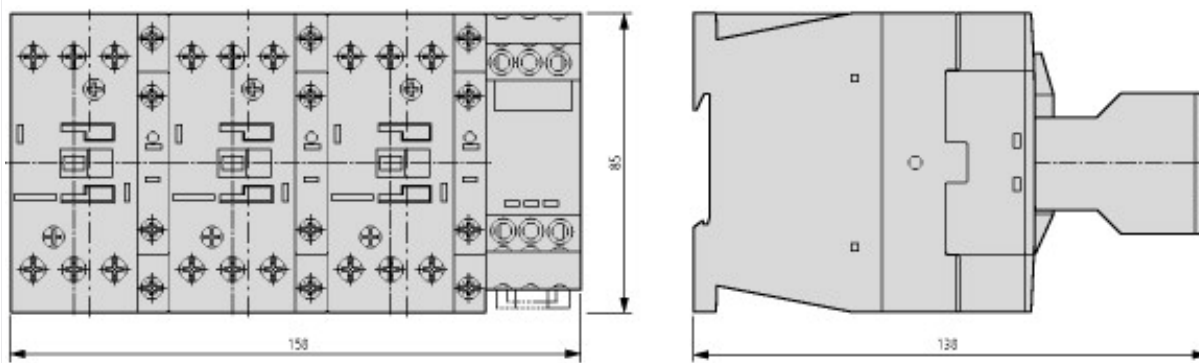
Function		Star-delta contactor
Rated control supply voltage $U_s$ at AC 50HZ	V	0 - 0
Rated control supply voltage $U_s$ at AC 60HZ	V	0 - 0
Rated control supply voltage $U_s$ at DC	V	24 - 24
Voltage type for actuating		DC
Rated operation current $I_e$ at AC-3, 400 V	A	45
Rated operation power at AC-3, 400 V	kW	22
Rated operation power NEMA	kW	0
Type of electrical connection of main circuit		Screw connection
Degree of protection (IP)		IP00
Degree of protection (NEMA)		Other

## Characteristics



1: Overload relay

## Dimensions



Basic unit with auxiliary contact module

## Assets (links)

### Declaration of CE Conformity

00003050

### Instruction Leaflets

IL03407030Z2018\_05

IL03407044Z2018\_05

## Additional product information (links)

### IL03407030Z (AWA2100-2139) Wiring for contactor combinations

IL03407030Z (AWA2100-2139) Wiring for contactor combinations

[ftp://ftp.moeller.net/DOCUMENTATION/AWA\\_INSTRUCTIONS/IL03407030Z2018\\_05.pdf](ftp://ftp.moeller.net/DOCUMENTATION/AWA_INSTRUCTIONS/IL03407030Z2018_05.pdf)